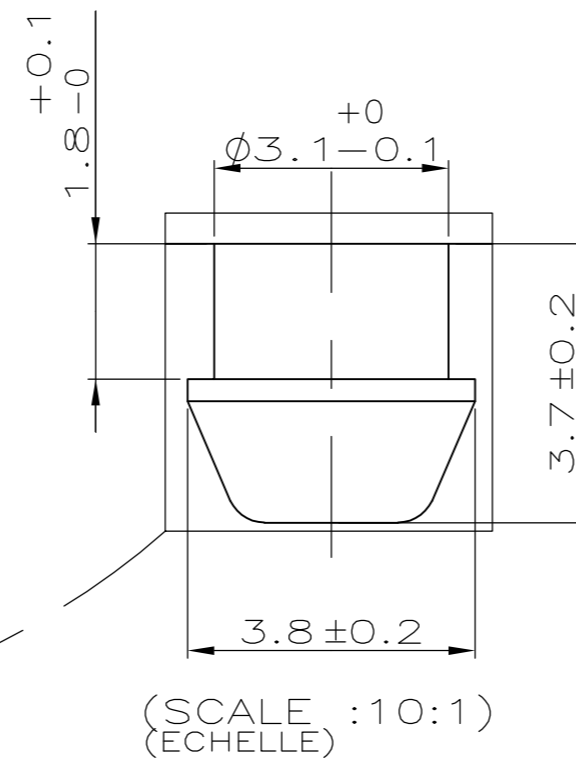
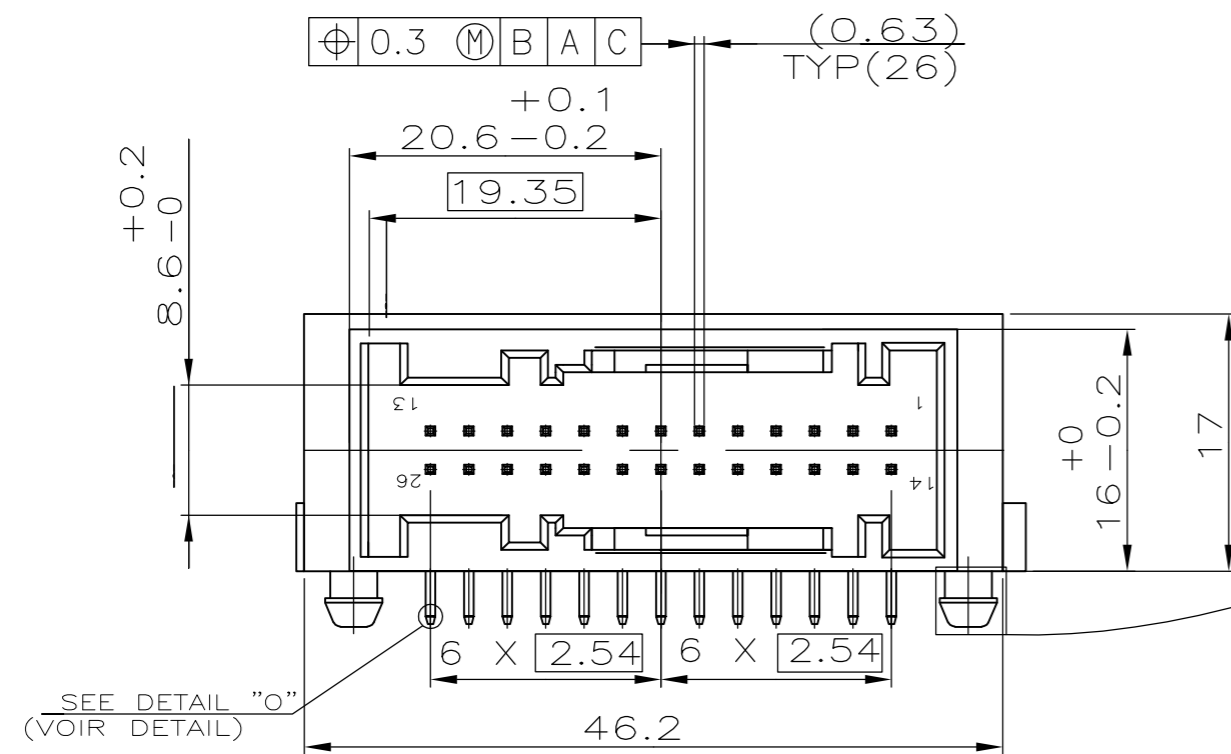
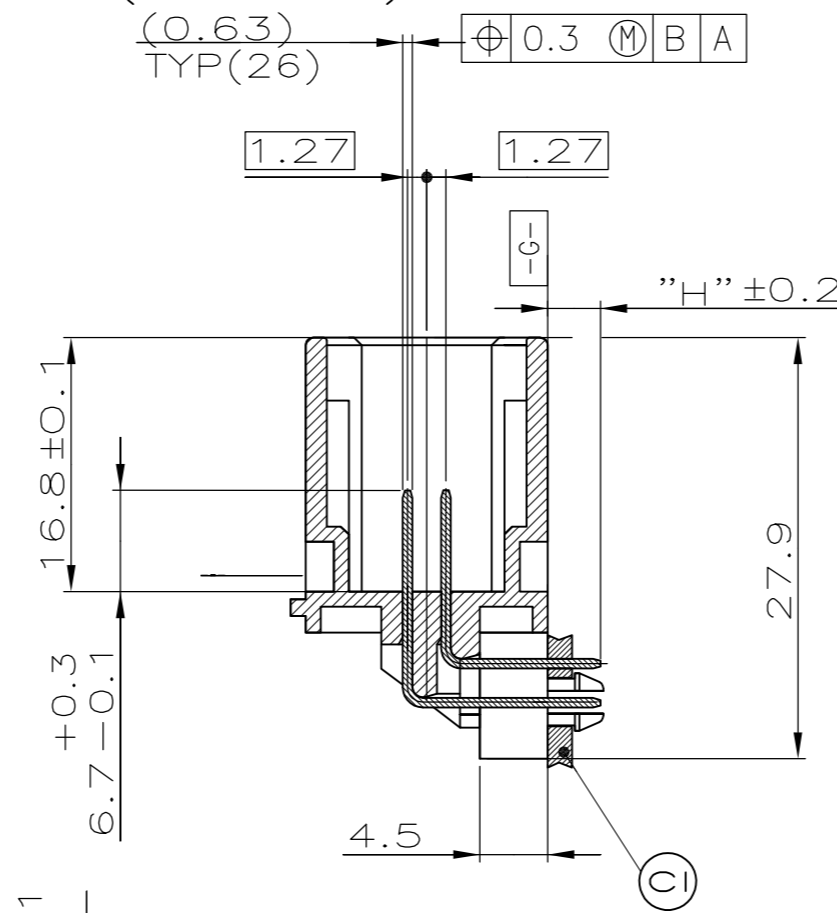
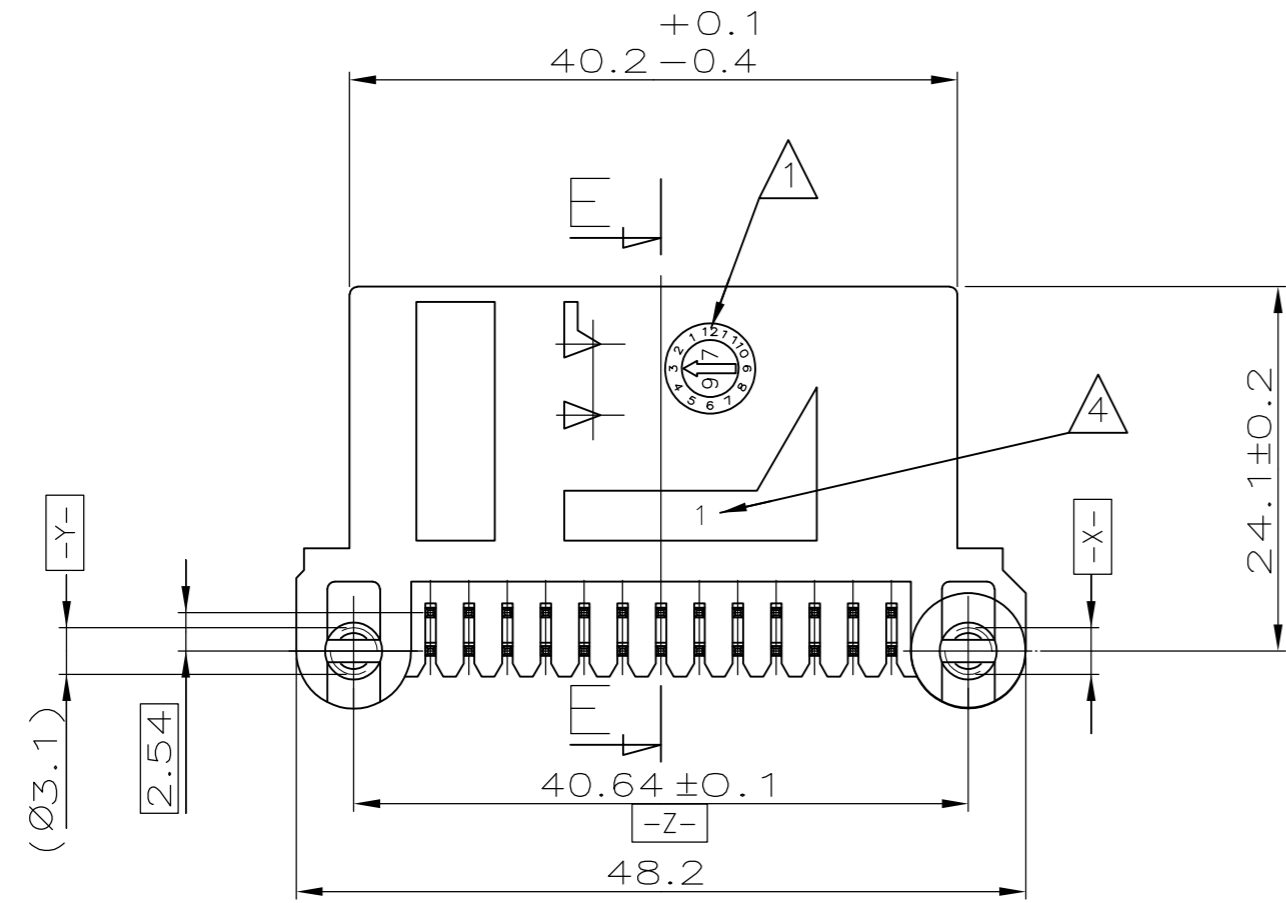


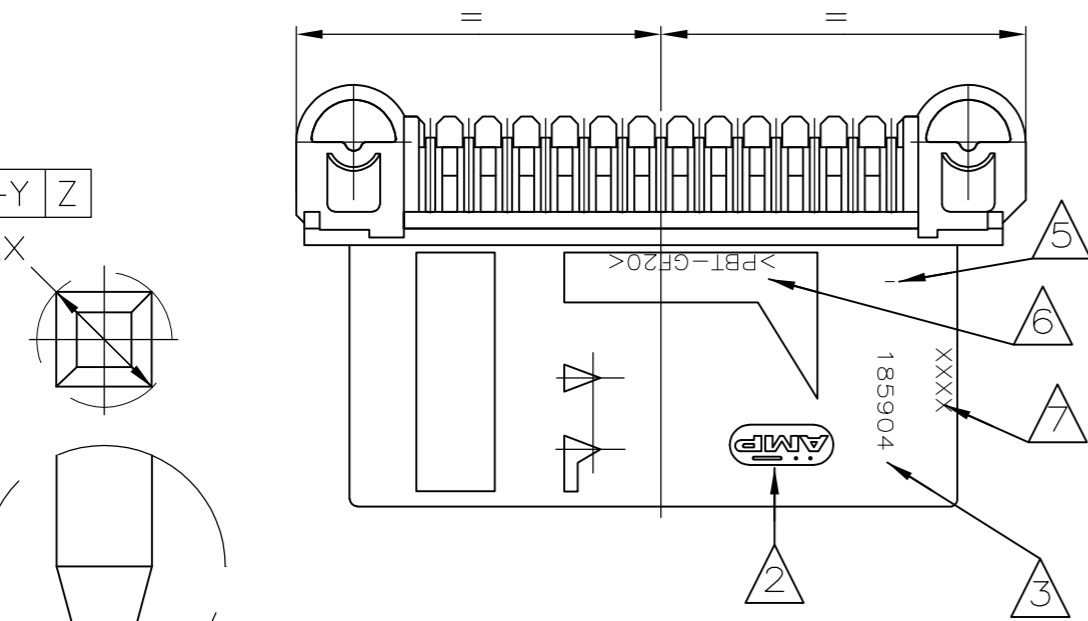
SECTIONNEE
(COUPE)

REVISIONS					
P	LTR	DESCRIPTION	DATE	DWN	APVD
WAS	P9623590		21-OCT-96	NN	-
A	MISE A JOUR		14-APR-97	NT.N	-
B	MISE A JOUR		26-SEP-00	NT.N	S.K
C	NVLE REFERENCE: 1-185904-2		04-APR-03	NT.N	J.L
D	ADD THE NEW PN : 185904-3		15-MAR-06	NT.N	J.L
E	ADD THE ENGLISH TRANSLATION		06-APR-06	NT.N	J.L
F	ADD NEW PN : 2-185904-2		18JAN2016	NT.N	J.L



NOTES:

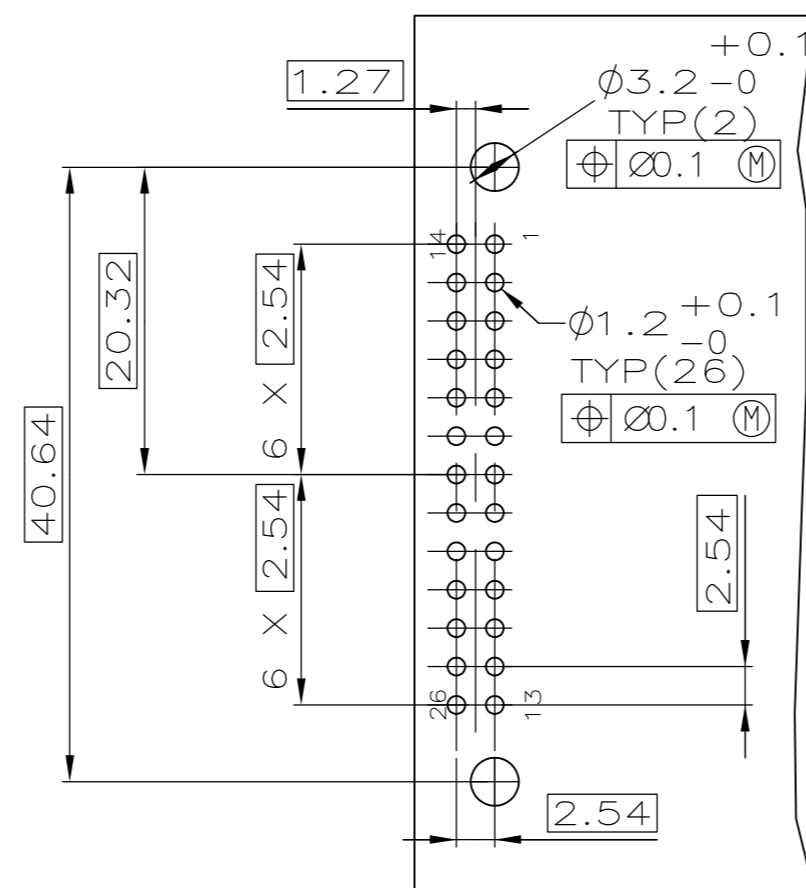
- 1 DATE CODE (DATE CODE)
- 2 TE LOGO (EXISTING NAME : AMP) (LOGO DE TE (NOM EXISTANT : AMP))
- 3 ASSEMBLY PART NUMBER : 185904 (REFERENCE DU PRODUIT ASSEMBLE :)
- 4 CAVITY MARKING (N° D'EMPREINTE DU MOULE)
- 5 REVISION STATUS (REVISION DU MOULE)
- 6 MATERIAL REFERENCE : PBT 20GF (MATIERE)
- 7 ASSEMBLY DATE MARKING (MARQUAGE DE DATE D'ASSEMBLAGE)
- 8 P/N 2-185904-2 : FOR PACKAGING IN ESD TRAY + PLASTIC BAG (REF. POUR CONDITIONNEMENT EN PLATEAU ANTI STATIQUE + SAC PLASTIQUE)



Ø0.4 M	
Ø0.6 M	G X-Y Z
Ø0.89 MAX	

DETAILLO
(SCALE :20:1)
(ECHELLE)

RECOMMENDED PCB LAYOUT
(PRECONISATION DE L'IMPLANTATION DU CIRCUIT IMPRIME)



HOUSING MATERIAL (MATIERE BOITIER)	CONTACT MATERIAL (MATIERE CONTACT)	FINISH (FINITION)	
PBT GF20	BRONZE	TIN OVER NICKEL (ETAIN SUR NICKEL)	
	BLUE (bleu)	2.6	1-185904-2
		3.5	2-185904-2
			185904-2
	BLACK (Noir)	3.5	185904-3
		YELLOW (jaune)	
CODING (Detrompage)	COLOR (Couleur)	"H"	P/N ASS'Y (reference- assemble)

THIS DRAWING IS A CONTROLLED DOCUMENT.

DIMENSIONS: mm	TOLERANCES UNLESS OTHERWISE SPECIFIED:	DWN Ngoc-Thanh NGUYEN 16-DEC-96	APVD JJ.REVIL 17-APR-97													
	<table border="1"> <tr><td>Ø PLC</td><td>± -</td></tr> <tr><td>PLC</td><td>± 0.3</td></tr> <tr><td>PLC</td><td>± -</td></tr> <tr><td>PLC</td><td>± -</td></tr> <tr><td>PLC</td><td>± -</td></tr> <tr><td>ANGLES</td><td>± 5°</td></tr> <tr><td>FINISH</td><td></td></tr> </table>	Ø PLC	± -	PLC	± 0.3	PLC	± -	PLC	± -	PLC	± -	ANGLES	± 5°	FINISH		CHK J.LAQUERBE 17-APR-97
Ø PLC	± -															
PLC	± 0.3															
PLC	± -															
PLC	± -															
PLC	± -															
ANGLES	± 5°															
FINISH																
MATERIAL		PRODUCT SPEC 108-15140	RESTRICTED TO													
		APPLICATION SPEC	SCALE 2:1 SHEET 1 OF 1 REV F													
		WEIGHT -	CAGE CODE A2 00779 C=185904													
		CUSTOMER DRAWING														

单击下面可查看定价，库存，交付和生命周期等信息

[>>TE Connectivity\(泰科\)](#)