

4

3

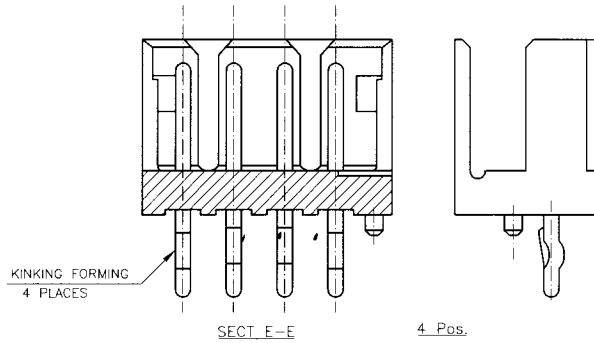
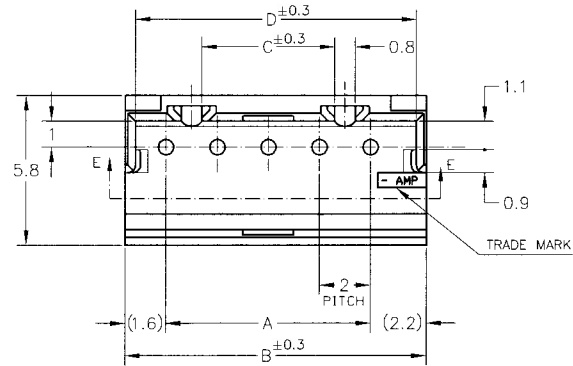
2

1

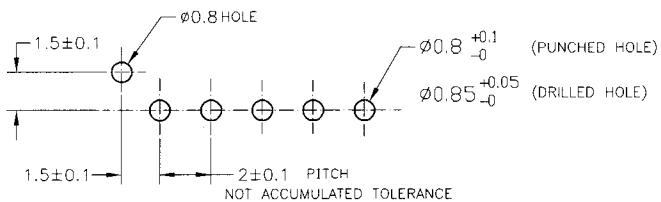
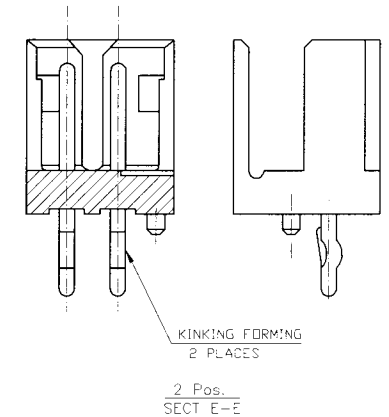
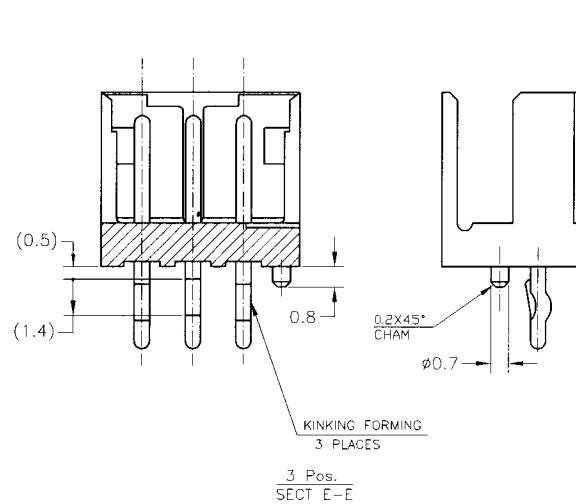
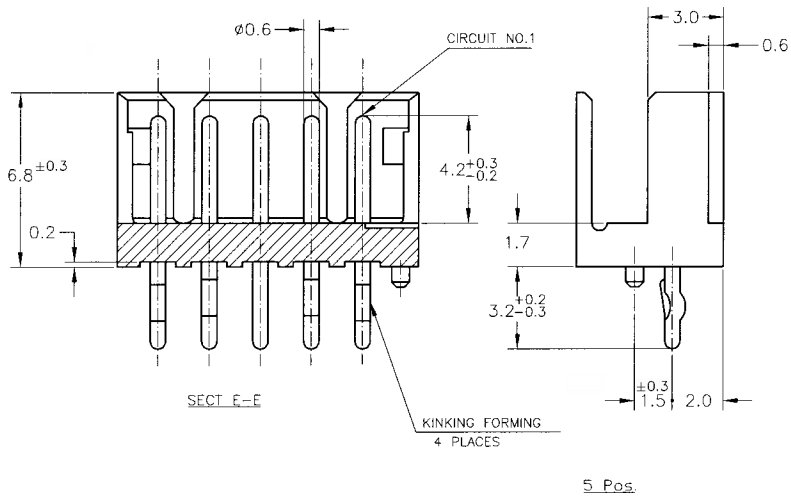
THIS DRAWING IS UNPUBLISHED. RELEASED FOR PUBLICATION
 © COPYRIGHT BY TYCO ELECTRONICS CORPORATION. ALL RIGHTS RESERVED.

LOC FB DIST 00

REVISIONS			DATE	DWN	APVD
P	LTR	DESCRIPTION			
A		RELEASED	25JUN19	T.Q	W.H



NOTES:
 1. MATERIAL: HOUSING - NYLON 66 (UL94V-0)
 POST - TIN BRASS



RECOMMENDABLE PCB LAYOUT
 (PCB THK: 0.8-1.6)

THIS DRAWING IS A CONTROLLED DOCUMENT.		DWN S.XU 22JAN03	Tyco Electronics Corporation SHANGHAI, CHINA	
DIMENSIONS: MM		CHK S.YAO 22JAN03		
TOLERANCES UNLESS OTHERWISE SPECIFIED: ±0.2		APVD T.SASAKI 22JAN03	NAME	
Ø-PLC ± 1-PLC ± 2-PLC ± 3-PLC ± 4-PLC ± ANGLES ±		PRODUCT SPEC		POST HEADER ASS'Y POLARIZE TYPE (BOX-V TYPE) (AMP CT CONNECTOR 2mm PITCH)
MATERIAL SEE NOTE		FINISH SEE NOTE		APPLICATION SPEC
		WEIGHT		SIZE A3
		CUSTOMER DRAWING		CAGE CODE 00779
		DRAWING NO. C-292131		RESTRICTED TO
		SCALE 5:1		SHEET 1 OF 2
		REV A		

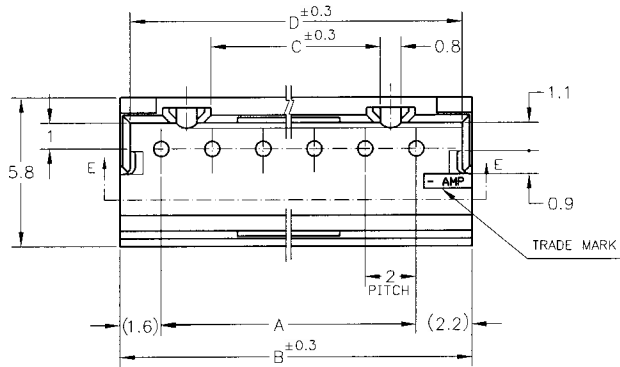
THIS DRAWING IS UNPUBLISHED. RELEASED FOR PUBLICATION

© COPYRIGHT BY TYCO ELECTRONICS CORPORATION. ALL RIGHTS RESERVED.

LOC FB DIST 00

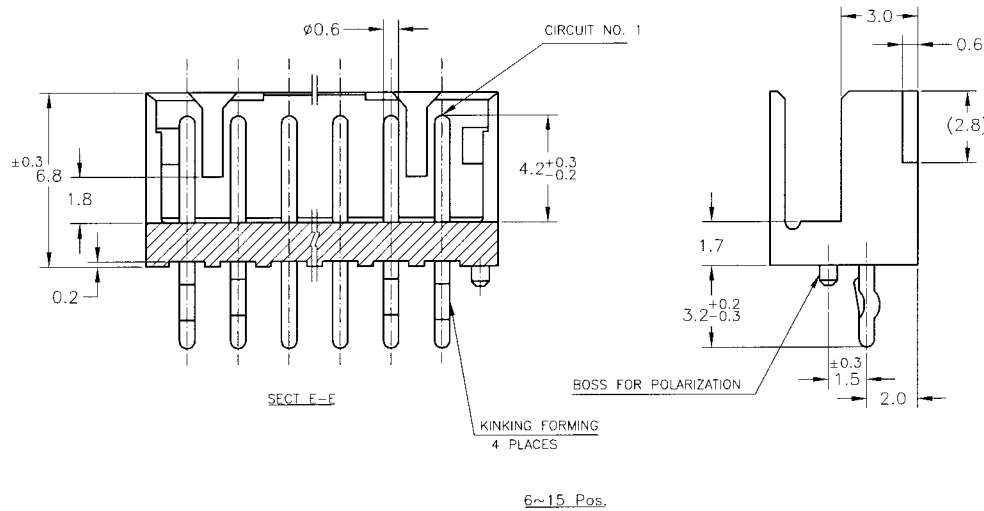
REVISIONS

P	LTR	DESCRIPTION	DATE	DWN	APVD
-	-	SEE SHEET 1	-	-	-

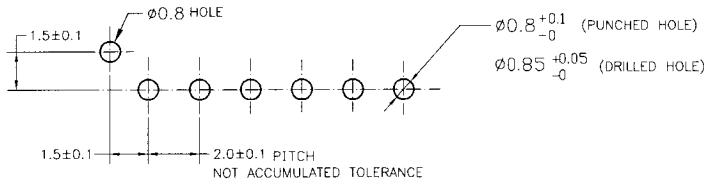


NOTES:

1.MATERIAL: HOUSING - NYLON 66 (UL94V-0)
POST - T1N BRASS



9-292131-5	15	28	31.8	25.2	31.0
9- -4	14	26	29.8	23.2	29.0
9- -3	13	24	27.8	21.2	27.0
9- -2	12	22	25.8	19.2	25.0
9- -1	11	20	23.8	17.2	23.0
9- -0	10	18	21.8	15.2	21.0
8- -9	9	16	19.8	13.2	19.0
8- -8	8	14	17.8	11.2	17.0
8- -7	7	12	15.8	9.2	15.0
8- -6	6	10	13.8	7.2	13.0
8- -5	5	8	11.8	5.2	11.0
8- -4	4	6	9.8	3.2	9.0
8- -3	3	4	7.8	-	7.0
8-292131-2	2	2	5.8	-	5.0
BLACK PART NO.	Pos.	A	B	C	D



RECOMMENDABLE PCB LAYOUT
(PCB THK:0.8-1.6)

THIS DRAWING IS A CONTROLLED DOCUMENT.

DIMENSIONS: MM	TOLERANCES UNLESS OTHERWISE SPECIFIED: ± 0.2	DWN	tyco Electronics	Tyco Electronics Corporation SHANGHAI, CHINA
MATERIAL	FINISH	CHK	NAME	POST HEADER ASS'Y POLARIZE TYPE (BOX-V TYPE) (AMP CT CONNECTOR 2mm PITCH)
		APVD	PRODUCT SPEC	
			APPLICATION SPEC	
		WEIGHT	SIZE	CAGE CODE
			A3	00779
			DRAWING NO	C-292131
			RESTRICTED TO	
CUSTOMER DRAWING			SCALE	5:1
			SHEET	2 OF 2
			REV	A

单击下面可查看定价，库存，交付和生命周期等信息

[>>TE Connectivity\(泰科\)](#)