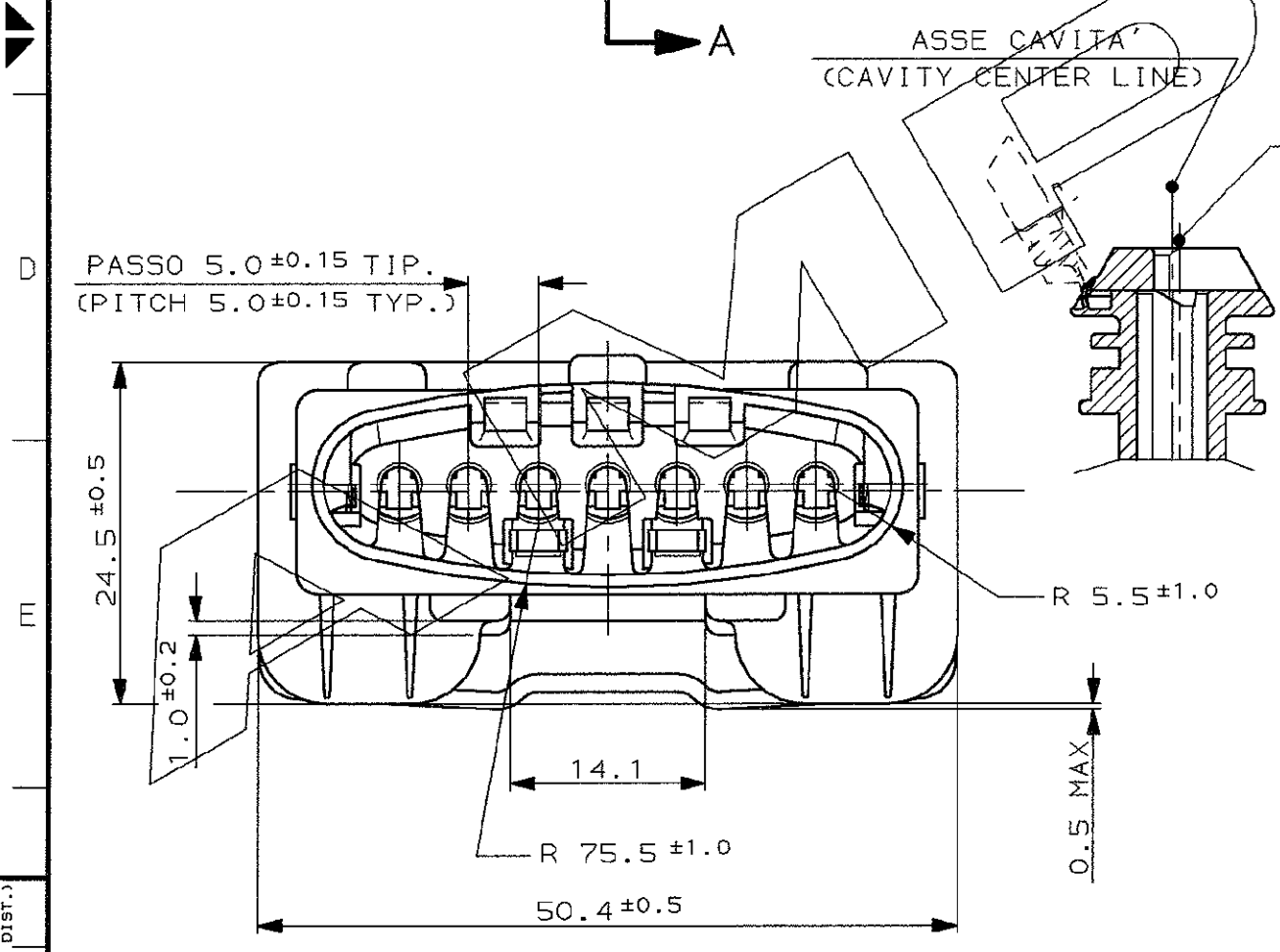
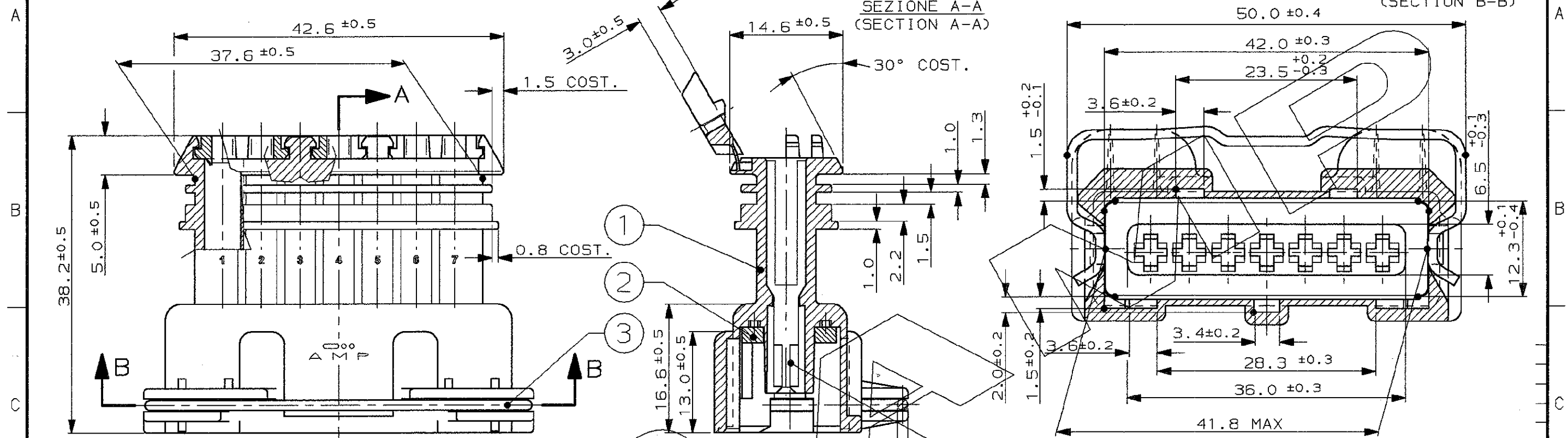


CONNETTORE TIPO A (CON MOLLA DI RITEGNO ESTERNA)
CONNECTOR TYPE A (WITH EXTERNAL SPRING)

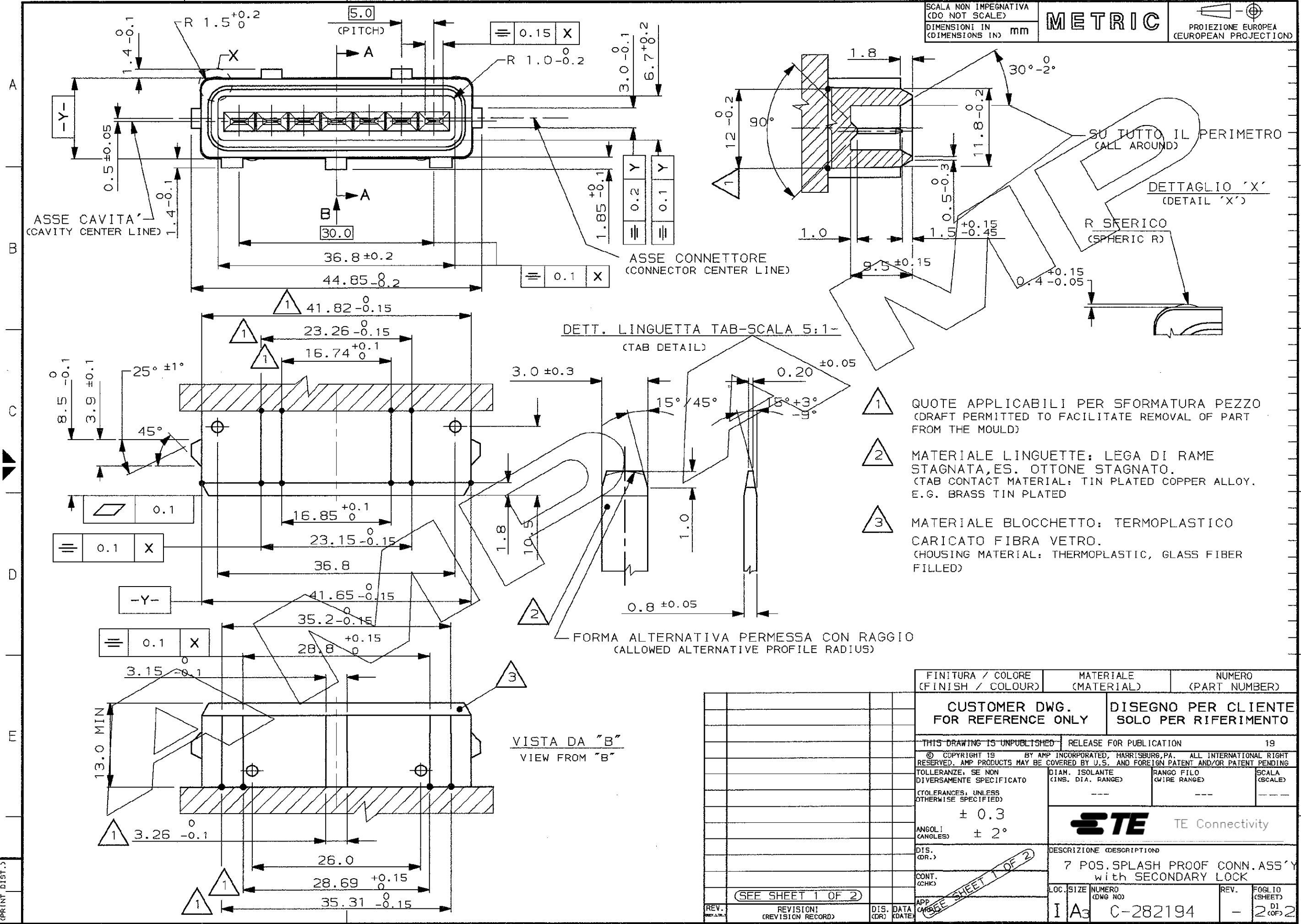


TIP. CAVITA' PER TERMINALI AMP JPT P/N 929939-...
AMP P/N 828904-1, 828905-1, 282536-1.
TAPPO CAVITA' P/N 828906-2

(CTYP. CAV. FOR JPT CONT. P/N 929939-... A/O 929937-... AND REL.
SINGLE WIRE SEAL P/N 828904-1, 828905-1, 282536-1
CAVITY PLUG P/N 828906-2)

ROSSO (RED)	-----				
GIALLO (YELLOW)	-----				
MARRONE (BROWN)	-----				
BLU (BLUE)	-----	3	//////	ACCIAIO INOX (STAINLESS STEEL)	MOLLA (SPRING)
VERDE (GREEN)	-----				
NATURALE (NATURAL)	-----	2	NATURALE (NATURAL)	GOMMA (RUBBER)	GUARNIZIONE (RUBBER GASKET)
GRIGIO (GREY)	282194-2				
NERO (BLACK)	282194-1	1	//////	PA 6.6	BLOCCHETTO (HOUSING)
COLORE (COLOR)	NUMERO (PART. N°)	N° (ITEM)	FINITURA / COLORE (FINISH / COLOUR)	MATERIALE (MATERIAL)	DESCRIZIONE (DESCRIPTION)
M	ECR-14-003472	MP	24MAR 2014	CUSTOMER DWG. FOR REFERENCE ONLY	
L	AGGIOR. CON ET00-0221-96 REVISED FOR ET00-0221-96	A.F.	27-5 '96	DISEGNO PER CLIENTE SOLO PER RIFERIMENTO	
H	AGGIOR. CON ET00-0108-95 REVISED FOR ET00-0108-95	M.P.	11-5 '95	THIS DRAWING IS UNPUBLISHED RELEASE FOR PUBLICATION 19	
G	AGG. FOGLIO 2 (ADDED SH.2)	R.M.	3-8 '92	© COPYRIGHT 19 BY AMP INCORPORATED, HARRISBURG, PA. ALL INTERNATIONAL RIGHT RESERVED. AMP PRODUCTS MAY BE COVERED BY U.S. AND FOREIGN PATENT AND/OR PATENT PENDING	
F	IN PRODUZIONE (IN PRODUCTION)	R.M.	13-10 '92	TOLLERANZE: SE NON DIVERSAMENTE SPECIFICATO (TOLERANCES, UNLESS OTHERWISE SPECIFIED)	DIAM. ISOLANTE (INS. DIA. RANGE) 1.5-3.0 (REDUCED INS. CABLE)
E	AGGIORNATO (REVISED)	R.M.	26-5 '92	± 0.3	RANGO FILO (WIRE RANGE) 0.5-2.5 mm² ***
D	AGGIORNATO (REVISED)	R.M.	17-3 '92	± 2°	SCALA (SCALE) ***
C	AGGIORNATO (REVISED)	R.M.	2-3 '92	ANGOLI (ANGLES)	TE Connectivity
B	AGGIORNATO (REVISED)	R.M.	4-9 '91	DIS. NOV. 9. '90 (DR.)	DESCRIZIONE (DESCRIPTION) 7 W. SPLASH PROOF CONN. ASS'Y with SECONDARY LOCK
A	WAS P/N C-90-51265-70	C.E.	2.91	CONT. 13 OCT 92 (CHK) C. TARTARI	Ennio CIN
REV.	REVISIONI (REVISION RECORD)	DIS. (DR)	DATA (DATE)	APP. (APP.)	LOC. SIZE NUMERO (DWG NO) I A3 C-282194
					REV. (REV.) M 1
					FOGLIO (SHEET) DI (CF) 2

DISTRIBUZIONE (PRINT DIST.)



FINITURA / COLORE (FINISH / COLOUR)	MATERIALE (MATERIAL)	NUMERO (PART NUMBER)
CUSTOMER DWG. FOR REFERENCE ONLY	DISEGNO PER CLIENTE SOLO PER RIFERIMENTO	19
THIS DRAWING IS UNPUBLISHED		RELEASE FOR PUBLICATION
© COPYRIGHT 19 BY AMP INCORPORATED, HARRISBURG, PA. ALL INTERNATIONAL RIGHT RESERVED. AMP PRODUCTS MAY BE COVERED BY U.S. AND FOREIGN PATENT AND/OR PATENT PENDING		
TOLLERANZE, SE NON DIVERSAMENTE SPECIFICATO (TOLERANCES, UNLESS OTHERWISE SPECIFIED)	DIAM. ISOLANTE (INS. DIA. RANGE)	RANGO FILO (WIRE RANGE)
± 0.3	---	---
ANGOLI (ANGLES) ± 2°	TE Connectivity	
DIS. (DR.)		
CONT. (CHK)	DESCRIZIONE (DESCRIPTION)	
APP. (DATE)	7 POS. SPLASH PROOF CONN. ASS'Y with SECONDARY LOCK	
REV. (REV. DATE)	LOC. SIZE NUMERO (DWG NO)	REV. FOGLIO (SHEET) (OF)
(SEE SHEET 1 OF 2)	I A3 C-282194	- 2 (OF) 2

DISTRIBUZIONE (PRINT DIST.)

单击下面可查看定价，库存，交付和生命周期等信息

[>>TE Connectivity\(泰科\)](#)