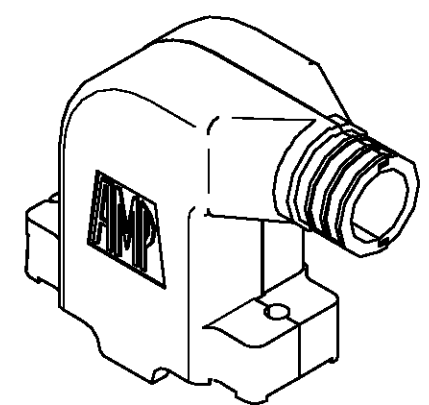
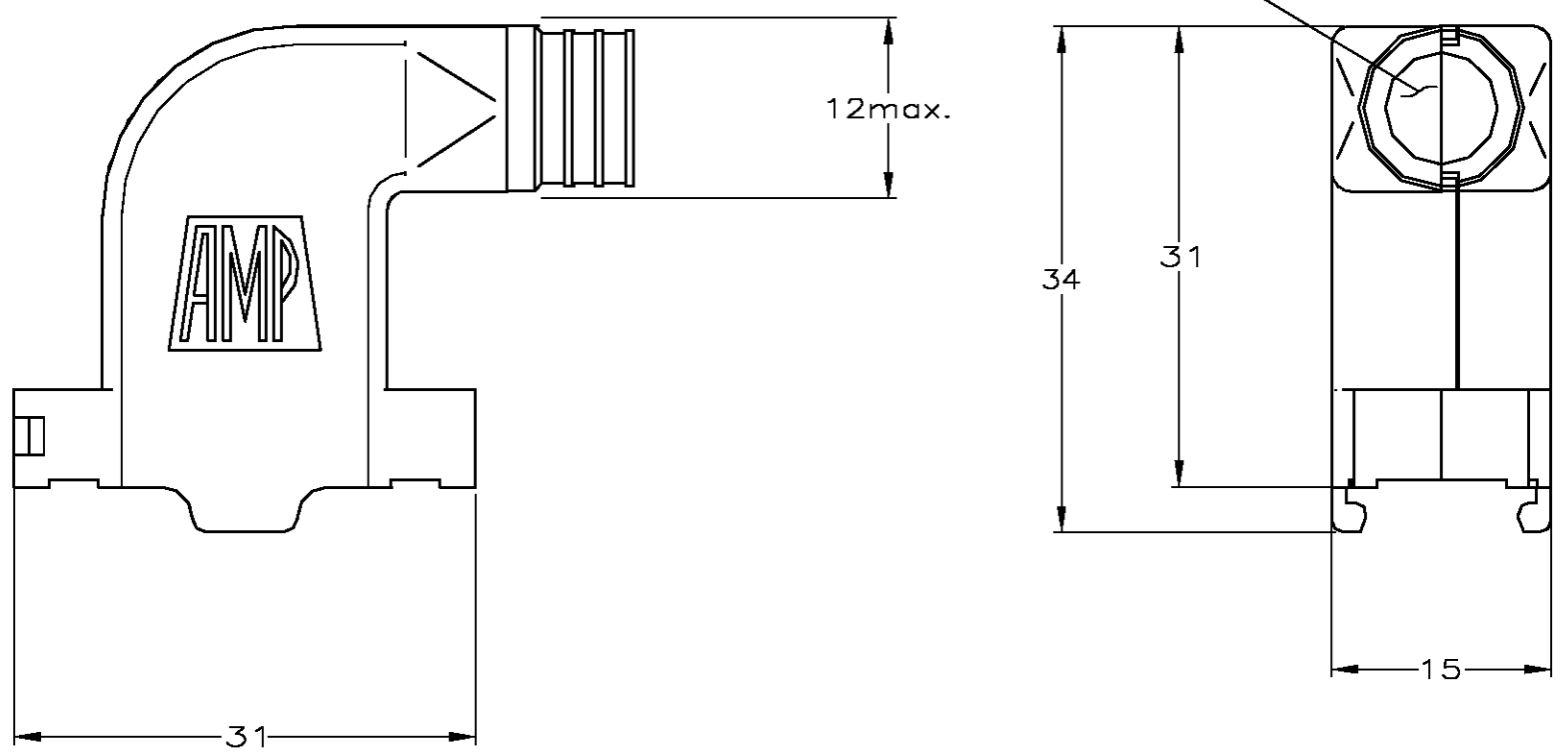


LOC	DIST	REVISIONS					
A	-	P	LTR	DESCRIPTION	DATE	DWN	APVD
		A		ECR-05-007048	22 JUL 05	JvdH	JB

CABLE DIAMETER 7,5 MAX.



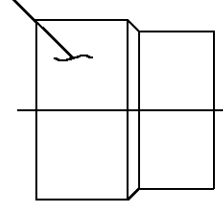
NOTES:

- 1 PART PACKED UNASSEMBLED.
- 2 KIT CONTAINS OF TWO CABLE CLAMP HALVES.
- 3 BULKPACKAGE OF 100 KITS.

SUPERSEDED BY 134752-3

INDIVIDUAL KIT.	2	NICKEL	WITH	134752 -3
BULKPACKAGE.	3	NICKEL	WITH	134752 -2
BULKPACKAGE.	3	PLAIN	WITH	134752 -1
		FINISH	LOGO	PART NUMBER

FERRULE TO BE ORDERED SEPARATELY.



CABLE OUTSIDE DIAMETER	N° Ferrule
4,2-6,2	747579-8
6,2-8,2	1-747579-0
8,2-9,5	1-747579-1
9,5-11,1	1-747579-2

THIS DRAWING IS A CONTROLLED DOCUMENT.		DWN JP PICAUD 21.IX.88	Tyco Electronics, Nederland BV 's-Hertogenbosch, Netherlands	
DIMENSIONS: mm		CHK -	NAME	
		APVD -	90 DEGREES AMPLIMITE CABLE CLAMP SIZE 1	
TOLERANCES UNLESS OTHERWISE SPECIFIED:		PRODUCT SPEC -	RESTRICTED TO	
0 PLC ± - 1 PLC ± - 2 PLC ± - 3 PLC ± - 4 PLC ± - ANGLES ± -		APPLICATION SPEC -	SIZE A3	CAGE CODE 00779
MATERIAL ZAMAK	FINISH SEE TABLE.	WEIGHT -	DRAWING NO C=134752	
CUSTOMER DRAWING			SCALE 2:1	SHEET 1 OF 1
			REV A	

单击下面可查看定价，库存，交付和生命周期等信息

[>>TE Connectivity\(泰科\)](#)