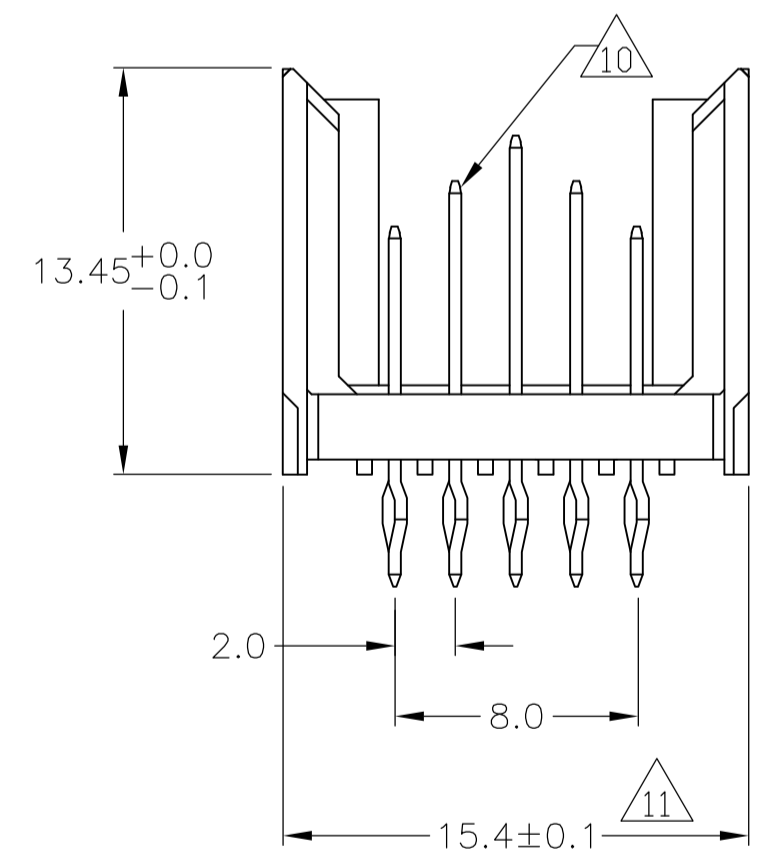
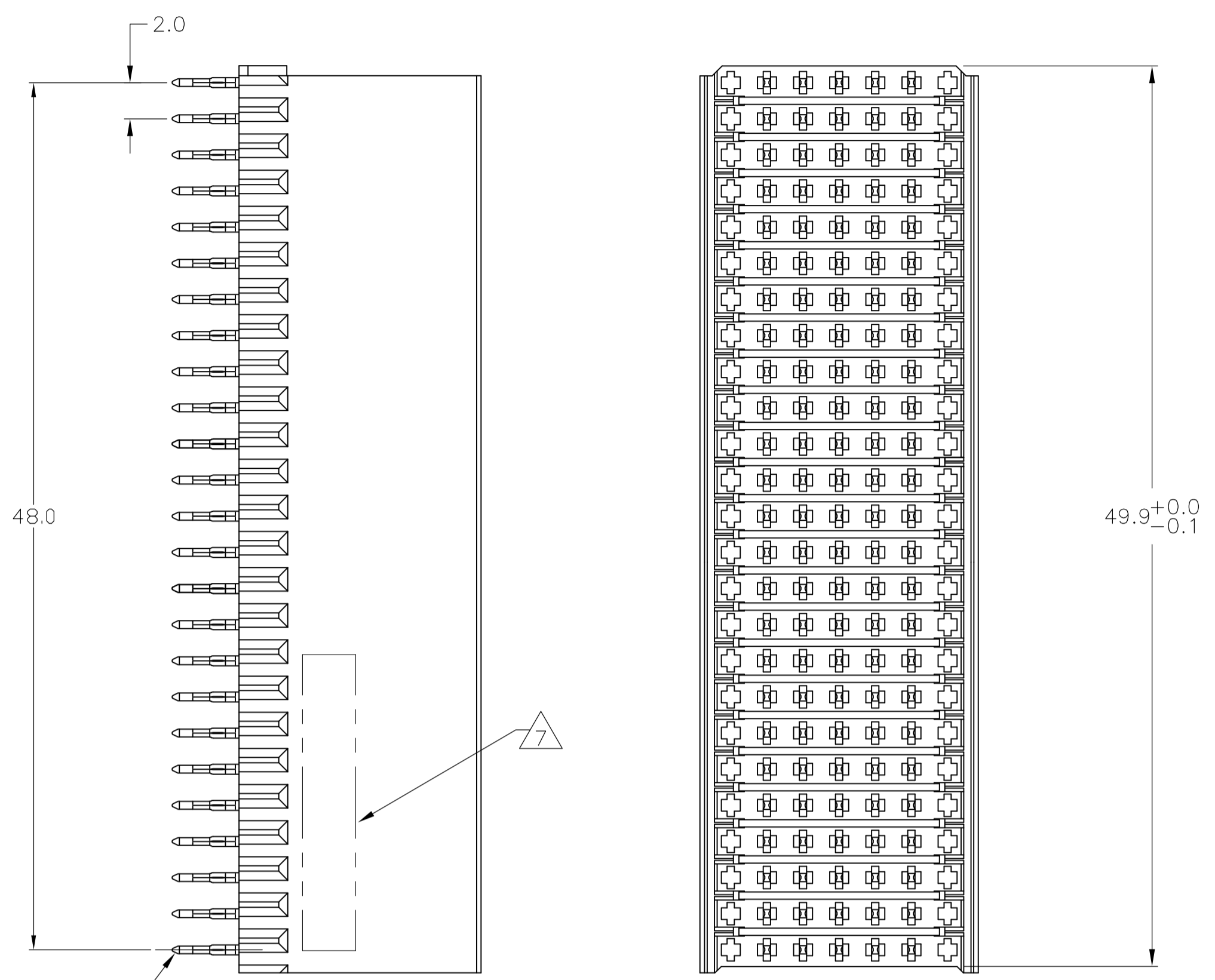
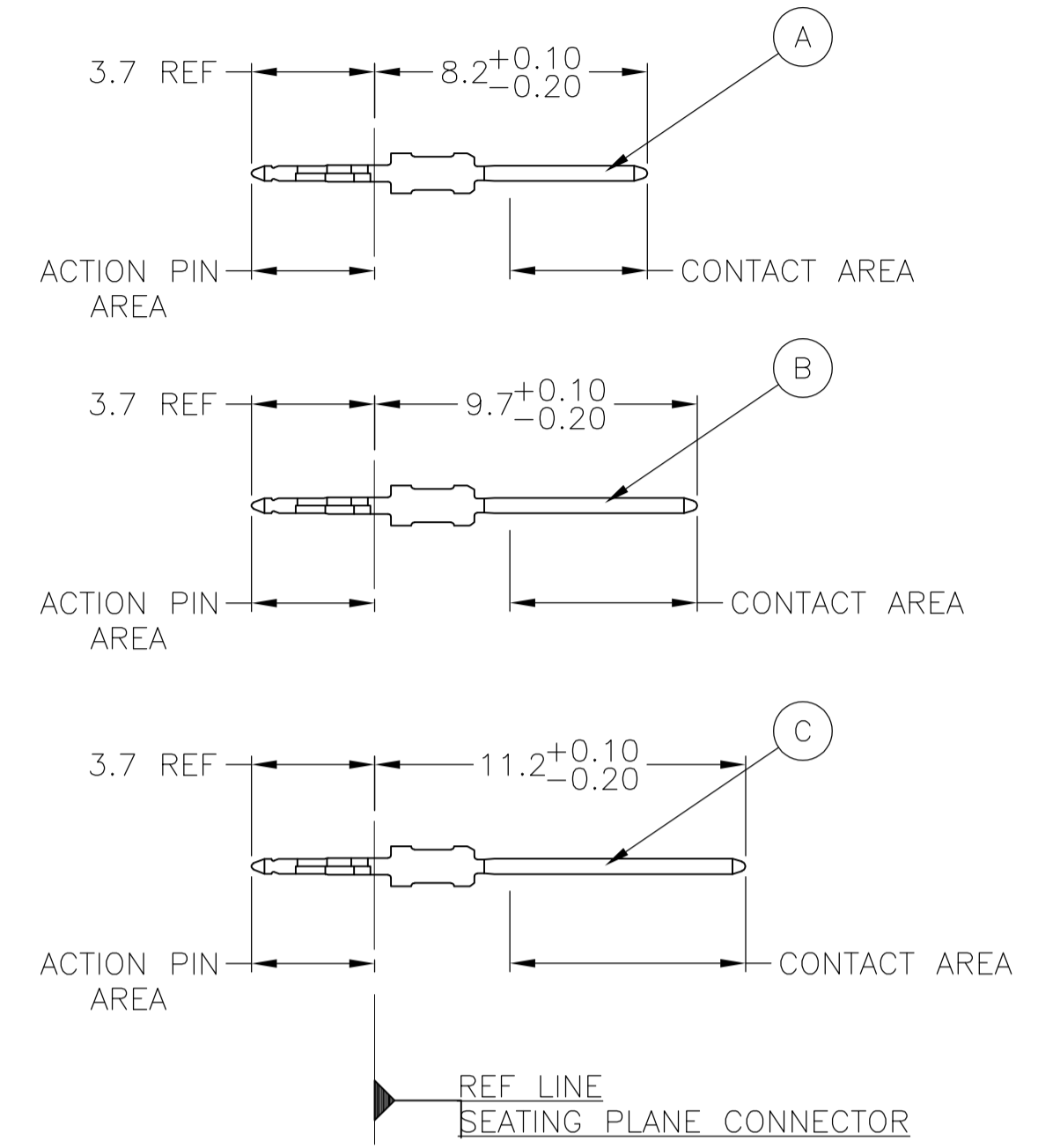


LOC		DIST		REVISIONS			
P	LTR	DESCRIPTION	DATE	DMN	APVD		
A	REV PER EC	OS12-0306-05	23MAY06	BC	GS		
B	ECR-10-019054		15SEP10	DP	MQW		

CONNECTOR ASSEMBLY EXAMPLARY LOADED $\triangle 9$



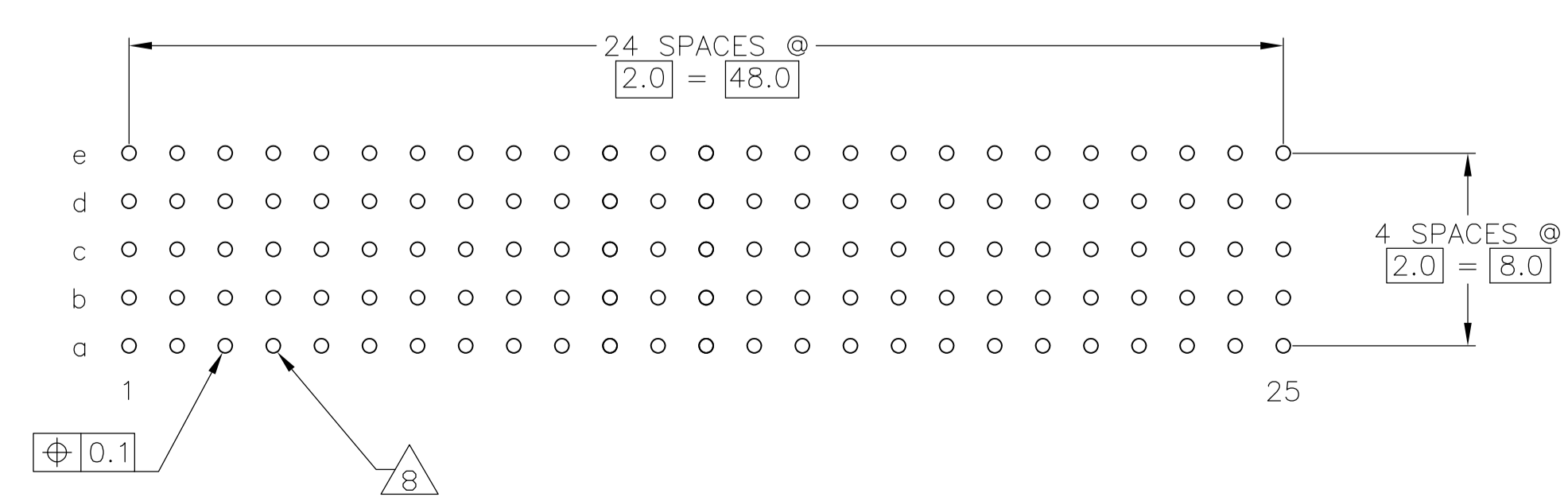
CONTACT DIMENSIONS SCALE 5:1



CONTACT LAYOUT

	z	a	b	c	d	e	f
1		A	B	C	B	A	
2		A	B	C	B	A	
3		A	B	C	B	A	
4		A	B	C	B	A	
5		A	B	C	B	A	
6		A	B	C	B	A	
7		A	B	C	B	A	
8		A	B	C	B	A	
9		A	B	C	B	A	
10		A	B	C	B	A	
11		A	B	C	B	A	
12		A	B	C	B	A	
13		A	B	C	B	A	
14		A	B	C	B	A	
15		A	B	C	B	A	
16		A	B	C	B	A	
17		A	B	C	B	A	
18		A	B	C	B	A	
19		A	B	C	B	A	
20		A	B	C	B	A	
21		A	B	C	B	A	
22		A	B	C	B	A	
23		A	B	C	B	A	
24		A	B	C	B	A	
25		A	B	C	B	A	

RECOMMENDED PCB-HOLE LAYOUT COMPONENT SIDE SHOWN



PLATED THRU HOLES PARAMETERS REFERENCE APPLICATION SPECIFICATION

$\triangle 2$	$\triangle 6$	$\triangle 12$	1-5106414-9
$\triangle 2$	$\triangle 5$	$\triangle 12$	5106414-9
$\triangle 2$	$\triangle 4$		5106414-4
$\triangle 2$	$\triangle 3$		5106414-1
FINISH		PART NUMBER	

THIS DRAWING IS A CONTROLLED DOCUMENT.

DIMENSIONS: mm	TOLERANCES UNLESS OTHERWISE SPECIFIED:	DIN B CARBO 21APR05	APVD G SKIPPER 21APR05	Tyco Electronics Corporation Harrisburg, Pa 17105-3608
ϕ - PLE ±	1 - PLE ± 0.1	NAME	PRODUCT SPEC	MALE ASSEMBLY, Z-PACK 2mm HM, TYPE B
2 - PLE ±	3 - PLE ±	SIZE	APPLICATION SPEC	108-19082
4 - PLE ±	ANGLES	WEIGHT	114-19029	114-19029
MATERIAL $\triangle 1$	FINISH SEE TABLE	RESTRICTED TO	SCALE 4:1	SHEET 1 OF 2
CUSTOMER DRAWING		SCALE 4:1		REV B

THIS DRAWING IS UNPUBLISHED. RELEASED FOR PUBLICATION
 © COPYRIGHT BY TYCO ELECTRONICS CORPORATION. ALL RIGHTS RESERVED.

LOC		DIST		REVISIONS			
IF	LTR	DESCRIPTION	DATE	DRN	APVD		
-	-	SEE SHEET 1	-	-	-	-	-

- 1 MATERIAL:
CONTACT: PHOSPHOR BRONZE.
HOUSING: GLASS-FILLED POLYESTER.
- 2 GENERAL PLATING SPECIFICATION: UNDERPLATING
(ENTIRE CONTACT): 1.27µm MIN NICKEL AND ACTION
PIN: 0.5µm MIN TIN.
FOR PLATING OF MATING SURFACES SEE APPLICABLE
SPECIFICATION REFERENCE FOR EACH DASH NUMBER.
- 3 CONFORMS TO ALL TESTING ACCORDING TO IEC 61076-4-101
PERFORMANCE LEVEL 2.
- 4 CONFORMS TO ALL TESTING ACCORDING TO IEC 61076-4-101
PERFORMANCE LEVEL 1.
- 5 CONNECTOR TESTED AND QUALIFIED AGAINST TELCORDIA GR-1217-CORE QUALITY LEVEL 3,
CENTRAL OFFICE APPLICATIONS.
- 6 CONNECTOR TESTED AND QUALIFIED AGAINST TELCORDIA GR-1217-CORE QUALITY LEVEL 3,
UNCONTROLLED ENVIROMENT APPLICATIONS.
- 7 CONNECTOR MARKED WITH PART NUMBER AND DATE CODE.
ADDITIONAL CHARACTERS OR MARKINGS, AS WELL AS THE LOCATION OF THE MARKINGS,
MAY BE ADDED FOR TRACEABILITY BASED UPON MANUFACTURERS DISCRETION.
- 8 PLATED-THROUGH HOLES AT 2x2mm SQUARE GRID
PATTERN DEFINED BY CONTACT LAYOUT.
- 9 FOR ACTUAL PIN LOADING SEE "CONTACT LAYOUT".
- 10 FOR ACTUAL PIN DIMENSIONS SEE "CONTACT DIMENSIONS".
- 11 TO BE MEASURED AT BOTTOM OF SHROUD.
- 12 CONNECTOR LUBRICATED WITH BELCORE APPROVED LUBRICANT,
TECHNICAL REFERENCE: TR-NWT-001217 ISSUE 1, SEP 1992.

THIS DRAWING IS A CONTROLLED DOCUMENT.		DRN B CARBO 21APR05	Tyco Electronics Corporation Harrisburg, Pa 17105-3608	
DIMENSIONS: mm		CHK G.SKIPPER 21APR05	NAME G.SKIPPER 21APR05	
TOLERANCES UNLESS OTHERWISE SPECIFIED: 0-PLC ± 1-PLC ±0.1 2-PLC ± 3-PLC ± 4-PLC ± ANGLES ±		PRODUCT SPEC 108-19082	MALE ASSEMBLY, Z-PACK 2mm HM, TYPE B	
APPLICATION SPEC 114-19029		SIZE A1	CAGE CODE 00779	DRAWING NO 5106414
MATERIAL SEE SHEET 1	FINISH SEE SHEET 1	WEIGHT -	RESTRICTED TO -	
CUSTOMER DRAWING		SCALE 4:1	SHEET 2	OF 2 REV B

单击下面可查看定价，库存，交付和生命周期等信息

[>>TE Connectivity\(泰科\)](#)