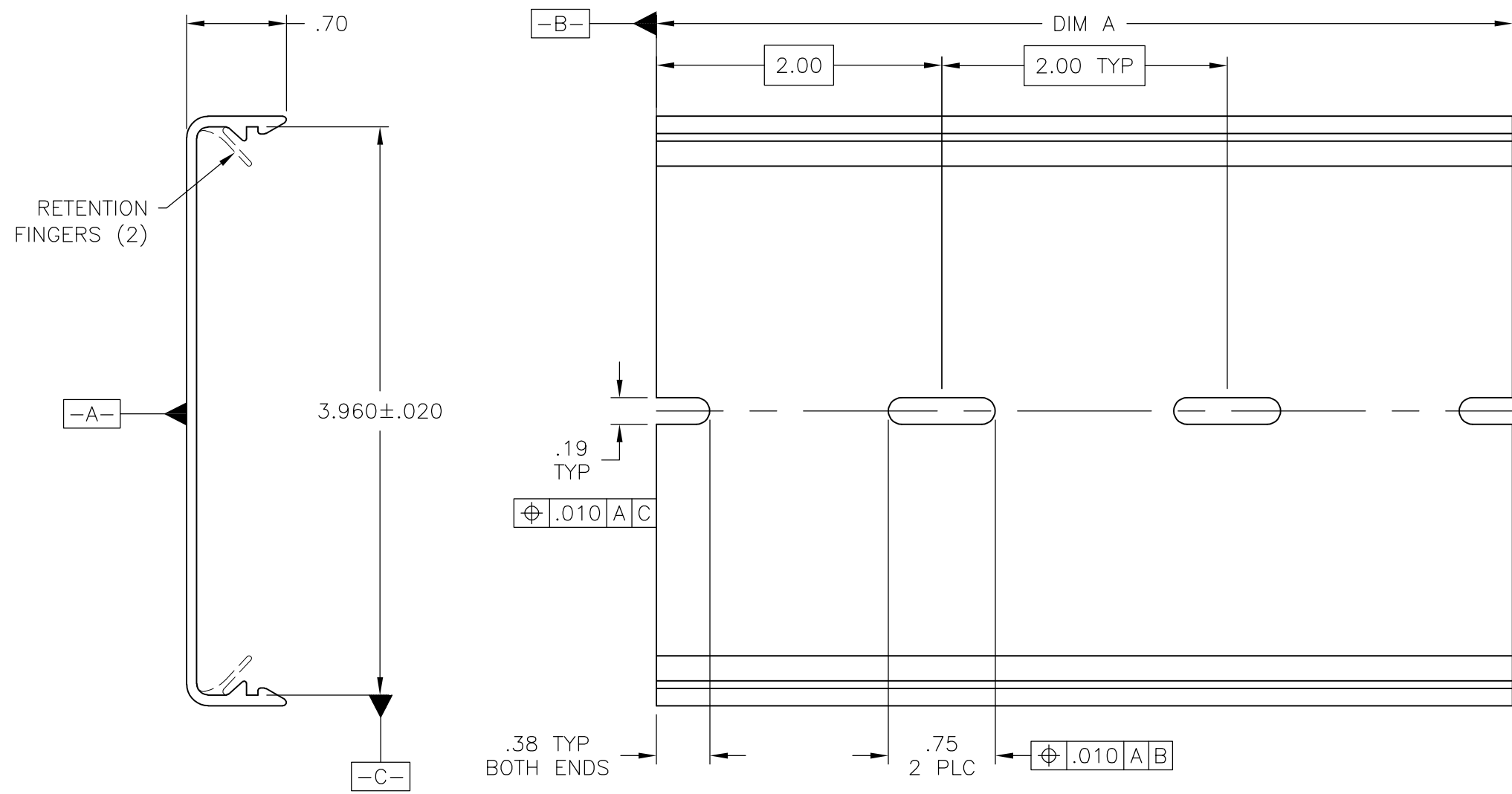


THIS DRAWING IS UNPUBLISHED. RELEASED FOR PUBLICATION
 © COPYRIGHT - By - ALL RIGHTS RESERVED.

LOC	DIST	REVISIONS					
FT	0	P	LTR	DESCRIPTION	DATE	DWN	APVD
			B1	Reactivating 5-1437685-1	06MAR2015	CR	PS



- 1 MATERIAL: RIGID PVC, COLOR GRAY.
- 2 MATERIAL: RIGID PVC, COLOR NATURAL.
- 3 RECOMMENDED PC BOARD WIDTH: 4.00"
- 4 OBSOLETE PARTS: OBSOLETE CIS STREAMLINING PER D.RENAUD/D.SINISI

4	OBSOLETE	2	6.00 ± .03	NO	6TK2-6-MOD1A	1546753-2	
		1	48.00 + .25 / - .03	NO	6TK2-48-MOD1	5-1437685-1	
		1	10.00 ± .03	NO	6TK2-10-MOD1	4-1437685-5	
		1	6.00 ± .03	NO	6TK2-6-MOD1	1546753-1	
		1	6.00 ± .03	YES	6TK2-6	5-1437685-5	
			MATERIAL	DIM A	RETENTION FINGER	CATALOG NO.	PART NO.

THIS DRAWING IS A CONTROLLED DOCUMENT.		DWN	S SCHLEGEL	8/2/04	TE Connectivity NAME: 6TK2-6 SNAPTRACK		
DIMENSIONS: INCHES		CHK	S YODER	8/2/04			
TOLERANCES UNLESS OTHERWISE SPECIFIED:		APVD	S YODER	8/2/04			
0 PLC ± - 1 PLC ± - 2 PLC ± .015 3 PLC ± .005 4 PLC ± - ANGLES ± 1°		PRODUCT SPEC		NAME			
MATERIAL	FINISH	APPLICATION SPEC		SIZE	CAGE CODE	DRAWING NO	RESTRICTED TO
		WEIGHT		A3	00779	C-5-1437685-5	
CUSTOMER DRAWING				SCALE	NTS	SHEET	1 OF 1
						REV	B1

单击下面可查看定价，库存，交付和生命周期等信息

[>>TE Connectivity\(泰科\)](#)