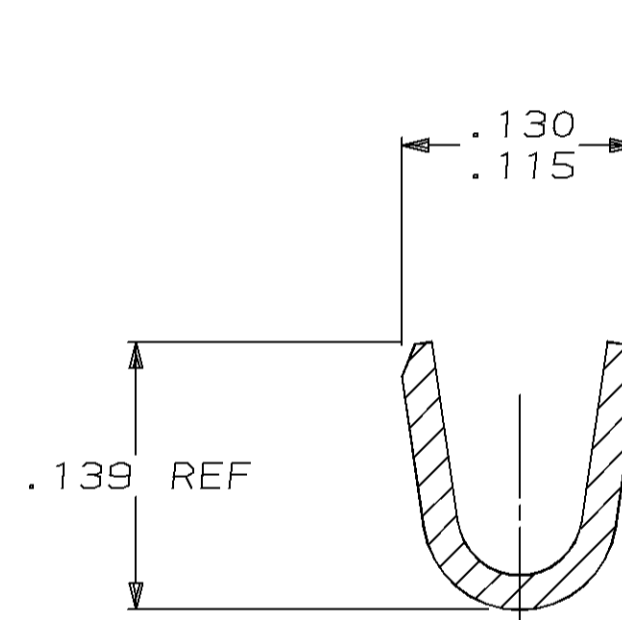
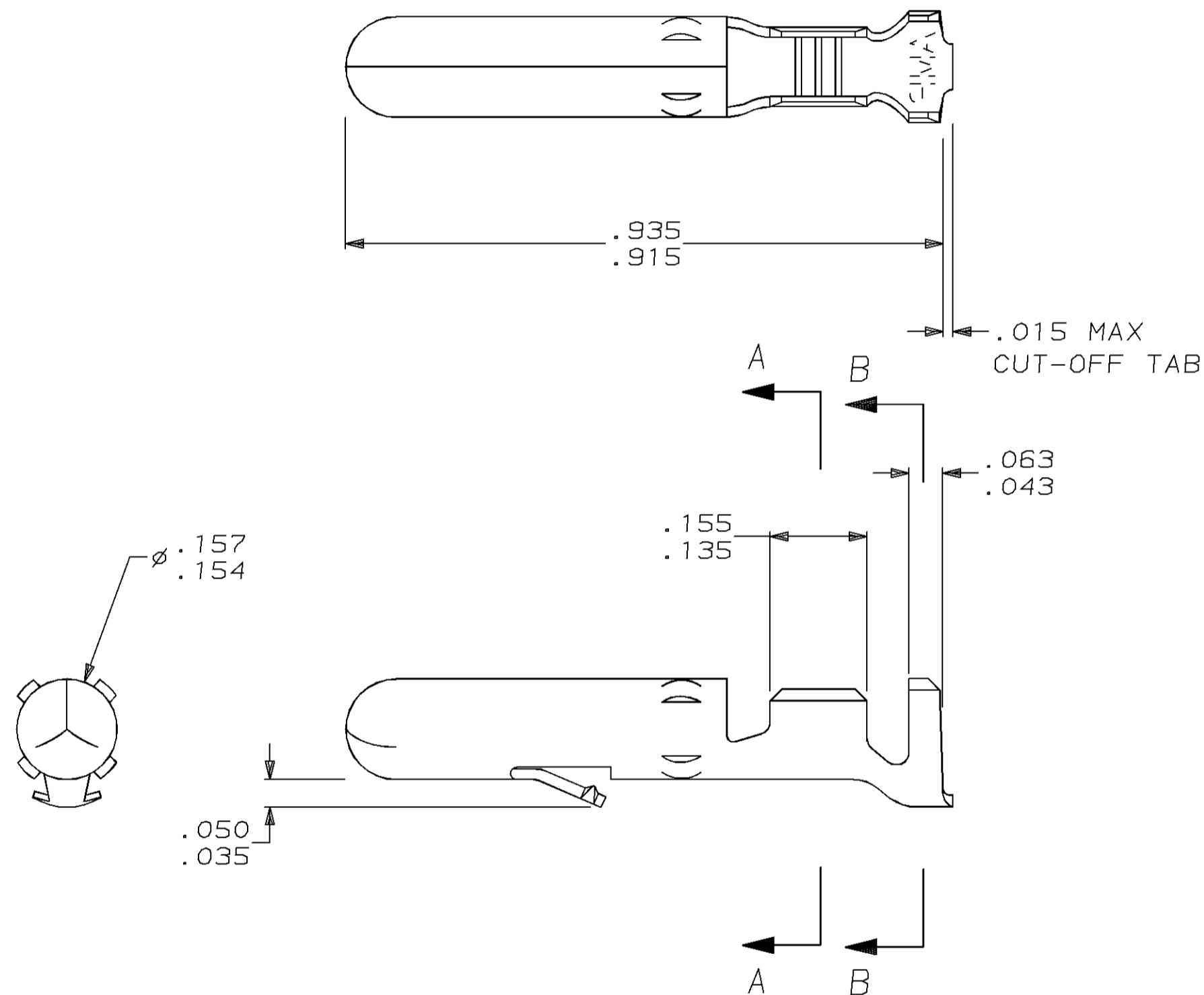


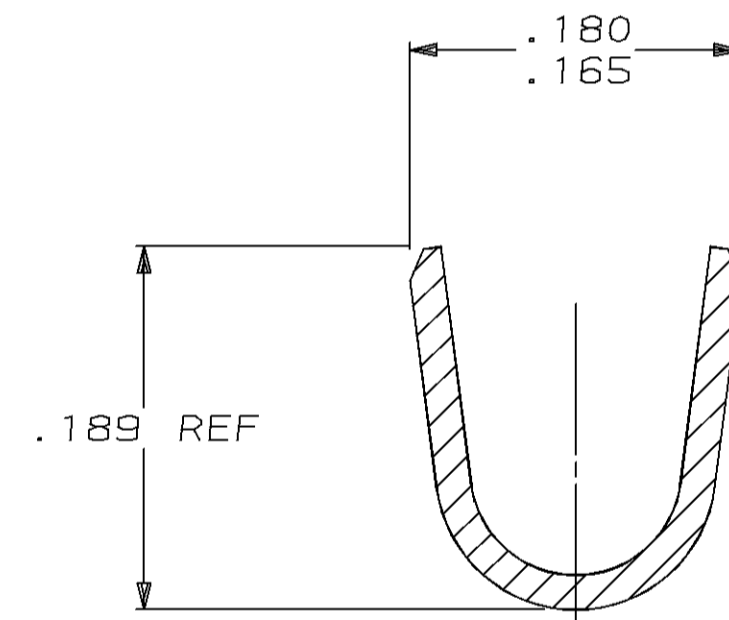
THIS DRAWING IS UNPUBLISHED. RELEASED FOR PUBLICATION  
 BY AMP INCORPORATED. ALL RIGHTS RESERVED.

LOC	DIST	REVISIONS			
P	LTR	DESCRIPTION	DATE	DWN	APVD
CM	53				
	B	REACT & REDWN PER EC 0730-0171-96	6-25-96	BL	RS

1. WIRE RANGE: 20-14 (0.5-2mm<sup>2</sup>) AWG  
 INSULATION RANGE: .125 MAX.



SECTION A-A  
SCALE 10:1



SECTION B-B  
SCALE 10:1

IN	MM	IN	MM	IN	MM	IN	MM
.050	1.27	.139	3.53	.180	4.57		
.043	1.09	.135	3.43	.165	4.19		
.035	0.89	.130	3.30	.157	3.99		
.018	0.46	.125	3.18	.156	3.96	.935	23.75
.015	0.38	.115	2.92	.155	3.94	.915	23.24
.005	0.13	.063	1.60	.154	3.91	.189	4.80
IN	MM	IN	MM	IN	MM	IN	MM

CONVERSION TABLE

**METRIC**

TIN	.018 BRASS	61251-1
FINISH	MATERIAL	PART NO

THIS DRAWING IS A CONTROLLED DOCUMENT.		DWN B. LEWIS 6-25-96	AMP Incorporated Harrisburg, PA 17105-3608
DIMENSIONS: INCHES		CHK R. SWING 6-25-96	
TOLERANCES UNLESS OTHERWISE SPECIFIED:		APVD C. MARTIN 6-25-96	
0 PLC ± 1 PLC ± 2 PLC ± 3 PLC ±.005 4 PLC ± ANGLES ± FINISH PRE-TIN		NAME C. MARTIN	
MATERIAL BRASS		PRODUCT SPEC -	APPLICATION SPEC -
CUSTOMER DRAWING		WEIGHT -	SIZE A2
		SCALE 5:1	CAGE CODE 00779
		SHEET 1 OF 1	DRAWING NO C-61251
		REV B	

单击下面可查看定价，库存，交付和生命周期等信息

[>>TE Connectivity\(泰科\)](#)