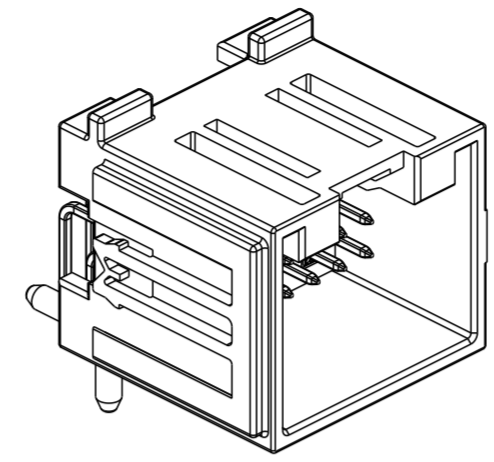
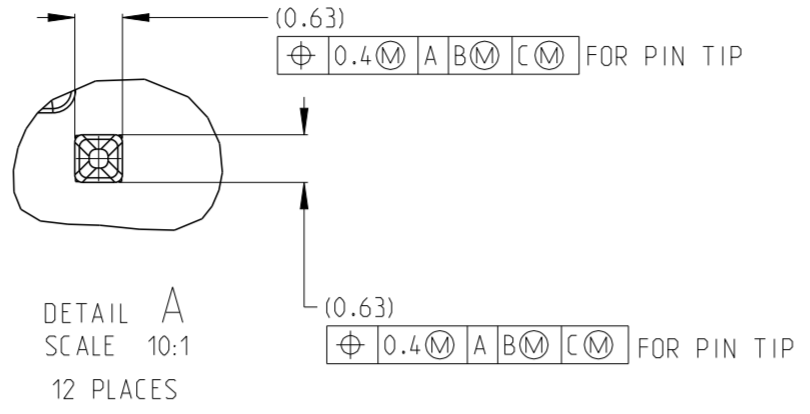
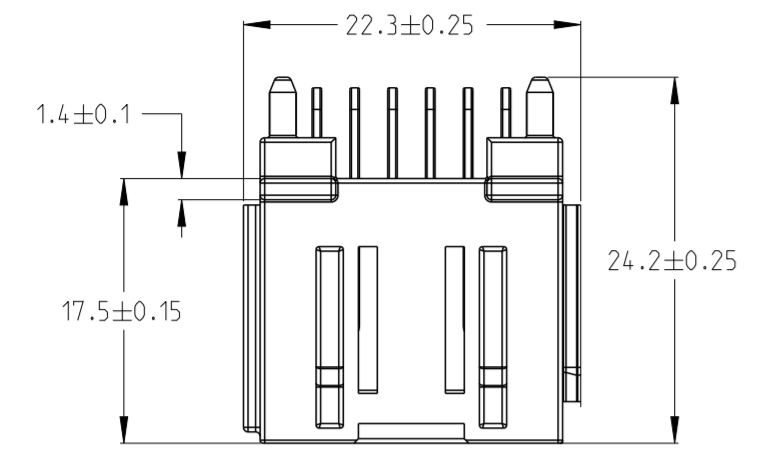


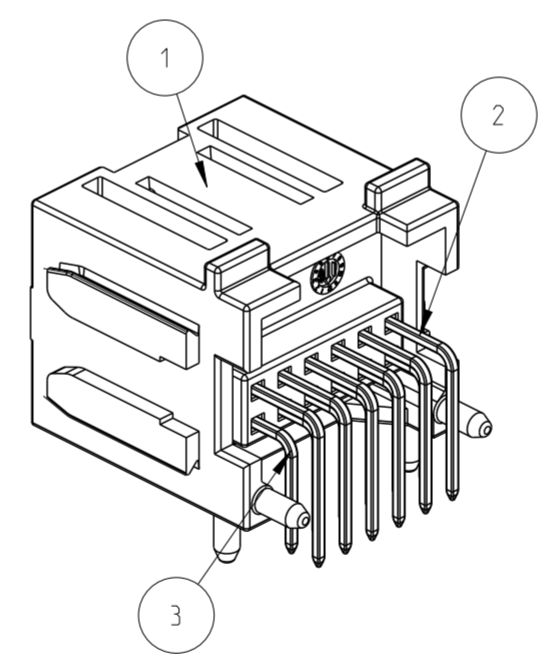
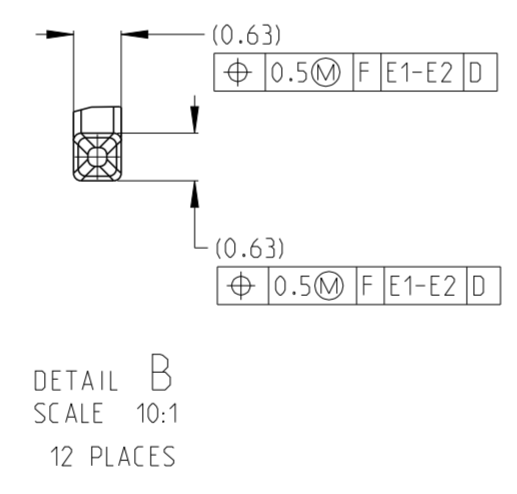
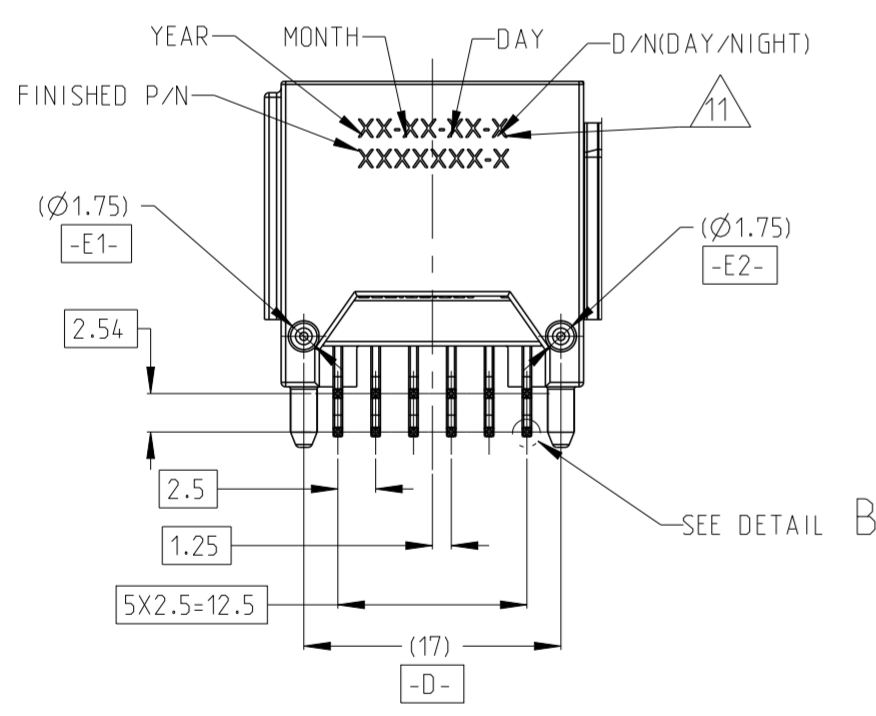
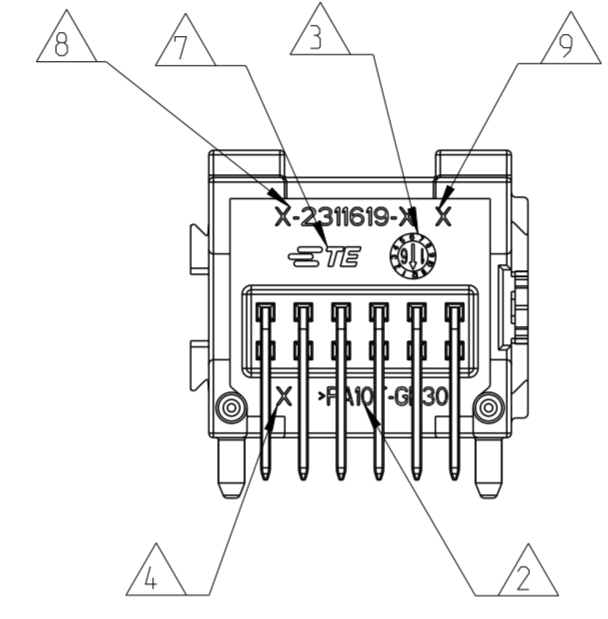
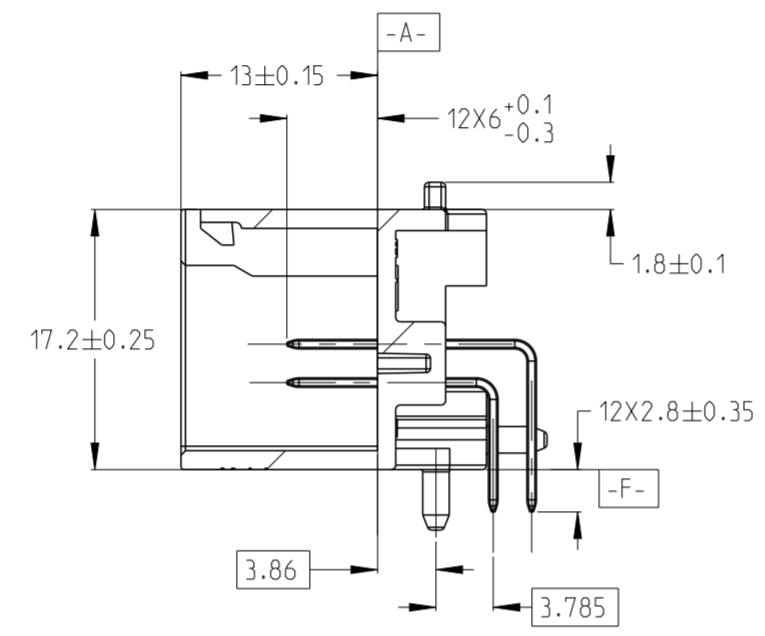
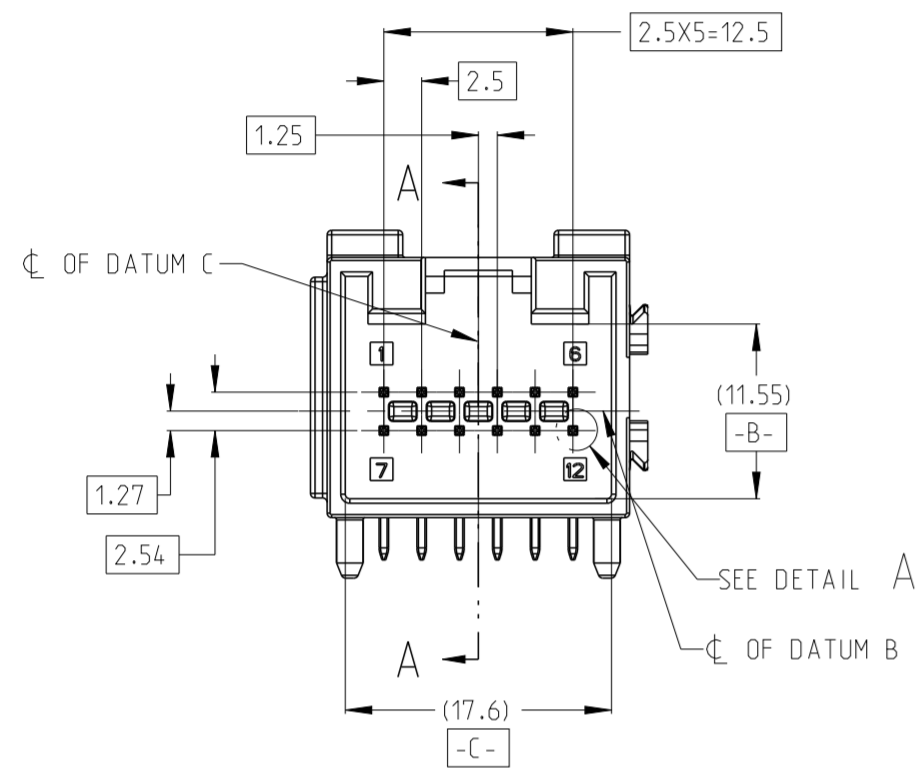
THIS DRAWING IS UNPUBLISHED. RELEASED FOR PUBLICATION 20
 © COPYRIGHT 20 BY - ALL RIGHTS RESERVED.

REVISIONS					
P	LTR	DESCRIPTION	DATE	DWN	APVD
	A	RELEASE	26JUL17	K.W	I.Y
	A1	ECR-20-011383	02SEP20	K.W	W.W
	A2	ECN-21-129967	02DEC21	T.T	J.Z

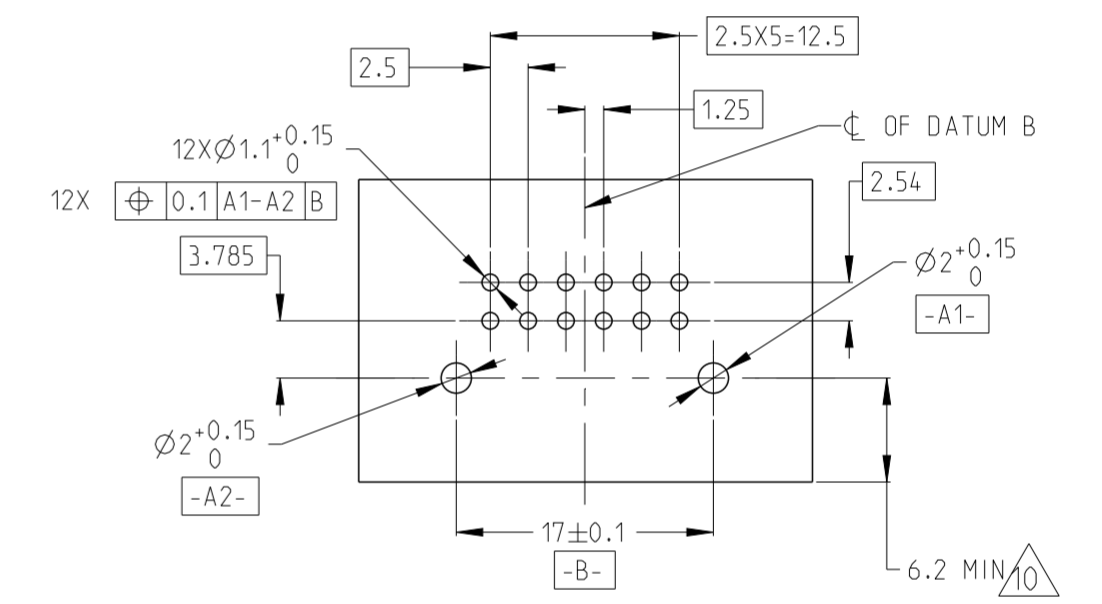


ISOMETRIC VIEW
SCALE 2:1

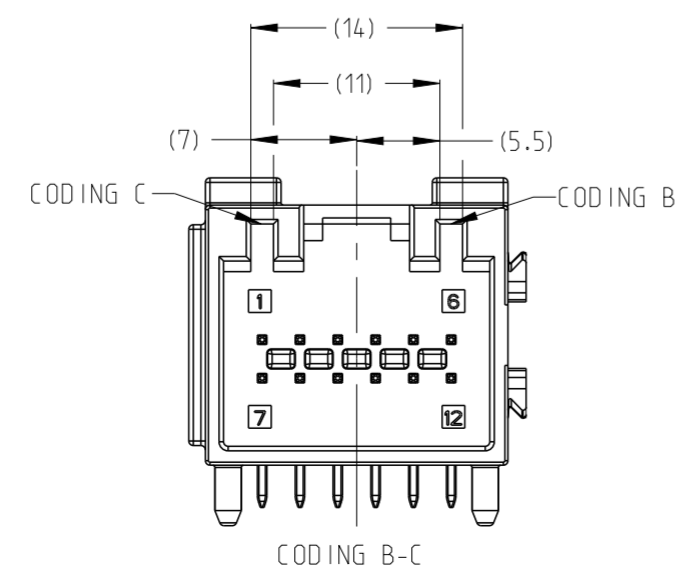
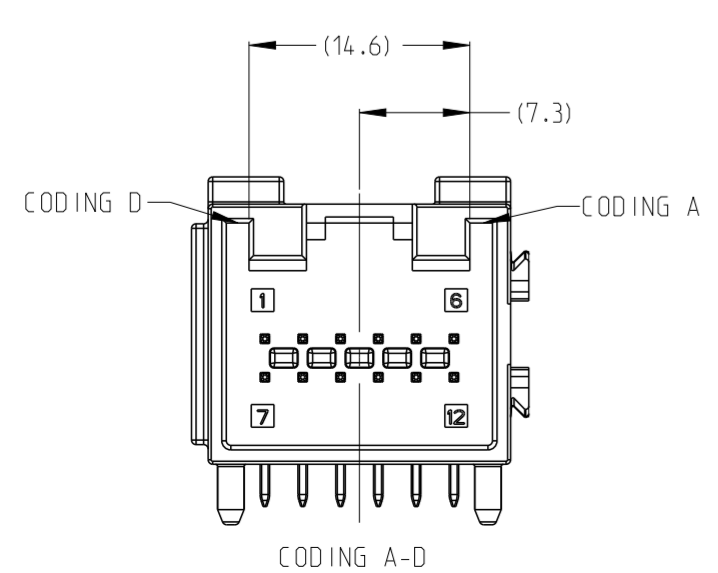
- 1 PLASTIC MATERIAL: PA10T OR SPS
SQ PIN MATERIAL: CuZn30
PLATING SPEC: TIN OVER NICKEL
- 2 MATERIAL MARKING
- 3 PLASTIC HOUSING PRODUCTION MONTH CLOCK
- 4 TOOL CAVITY MARKING 1,2,3,4...
- 5. PRODUCT OPERATION TEMPERATURE RANGE:-40°C~105°C
- 6. SUITABLE MATING CONNECTOR: 2322637
- 7 TE-LOGO
- 8 TE SEMIFINISHED PART NUMBER
- 9 TE SEMIFINISHED PART REVISION
- 10 PRODUCT STABILIZATION FOR SOLDERING PROCESS
- 11 PRODUCT ASSEMBLY DATA INFORMATION



SCALE 2:1
ISOMETRIC VIEW



12 WAY CODINGS



TE P/N	CODING	PACKAGE TYPE	QTY	DESCRIPTION	MATERIAL	COLOR/FINISH	ITEM NO
2-2322610-1	A-D	REEL(DIM:380*380*44mm)	6	0.63 SQ PIN	CuZn30	Sn OVER Ni	3
			6	0.63 SQ PIN	CuZn30	Sn OVER Ni	2
1-2322610-1	A-D	TRAY(DIM:320*210*28mm)	1	12 WAY HOUSING	PA10T OR SPS	BLACK	1
			6	0.63 SQ PIN	CuZn30	Sn OVER Ni	3
2322610-4	B-D	TRAY(DIM:375*275*30mm)	6	0.63 SQ PIN	CuZn30	Sn OVER Ni	2
			1	12 WAY HOUSING	PA10T OR SPS	BLACK	1
2322610-3	A-C	TRAY(DIM:375*275*30mm)	6	0.63 SQ PIN	CuZn30	Sn OVER Ni	3
			6	0.63 SQ PIN	CuZn30	Sn OVER Ni	2
2322610-2	B-C	TRAY(DIM:375*275*30mm)	1	12 WAY HOUSING	PA10T OR SPS	GREEN	1
			6	0.63 SQ PIN	CuZn30	Sn OVER Ni	3
2322610-1	A-D	TRAY(DIM:375*275*30mm)	6	0.63 SQ PIN	CuZn30	Sn OVER Ni	2
			1	12 WAY HOUSING	PA10T OR SPS	BLACK	1

THIS DRAWING IS A CONTROLLED DOCUMENT. DWN: K.WEI 12JUL2017
 CHK: E.JIANG 21JUL2017
 APVD: I.YIN 26JUL2017

DIMENSIONS: mm TOLERANCES UNLESS OTHERWISE SPECIFIED:
 0-PLC ±0.1
 1-PLC ±0.01
 2-PLC ±0.01
 3-PLC ±0.004
 4-PLC ±0.0001
 ANGLES FINISH ±

MATERIAL: 1

PRODUCT SPEC: 108-101528
 APPLICATION SPEC: 114-101065
 WEIGHT: -

CUSTOMER DRAWING

NAME: 12 WAY MDS PIN HEADER
 SIZE: A2 CAGE CODE: - DRAWING NO: C-2322610 RESTRICTED TO: -
 SCALE: 2:1 SHEET: 1 OF 1 REV: A2

STE TE Connectivity

单击下面可查看定价，库存，交付和生命周期等信息

[>>TE Connectivity\(泰科\)](#)