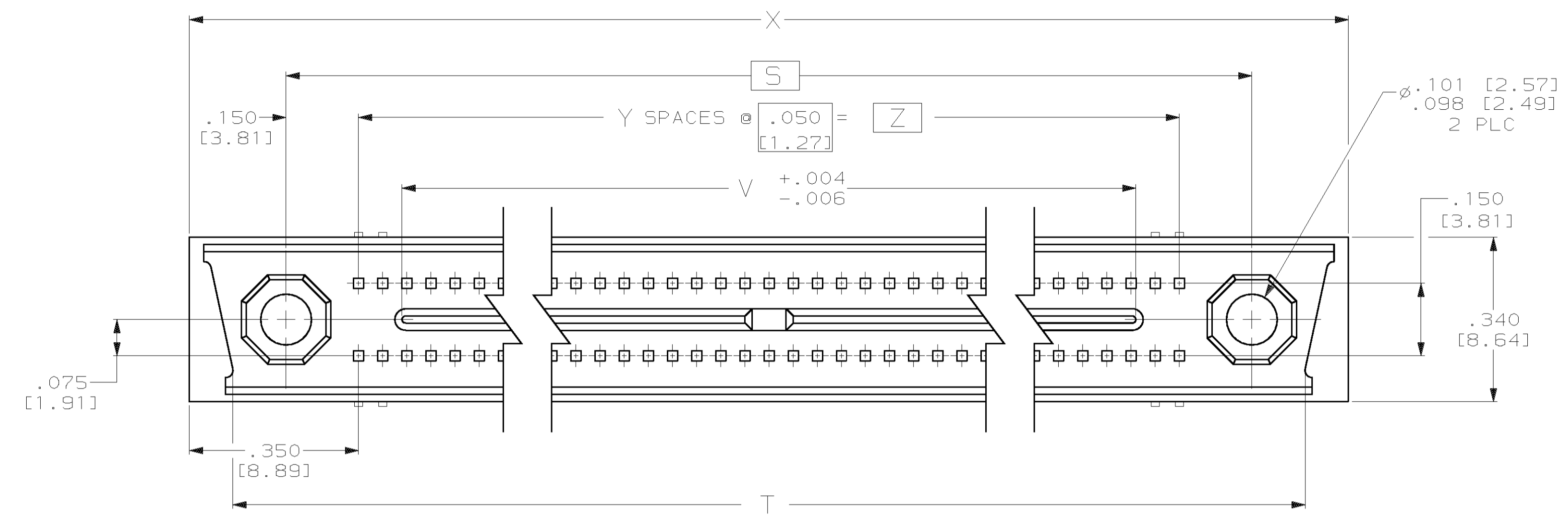
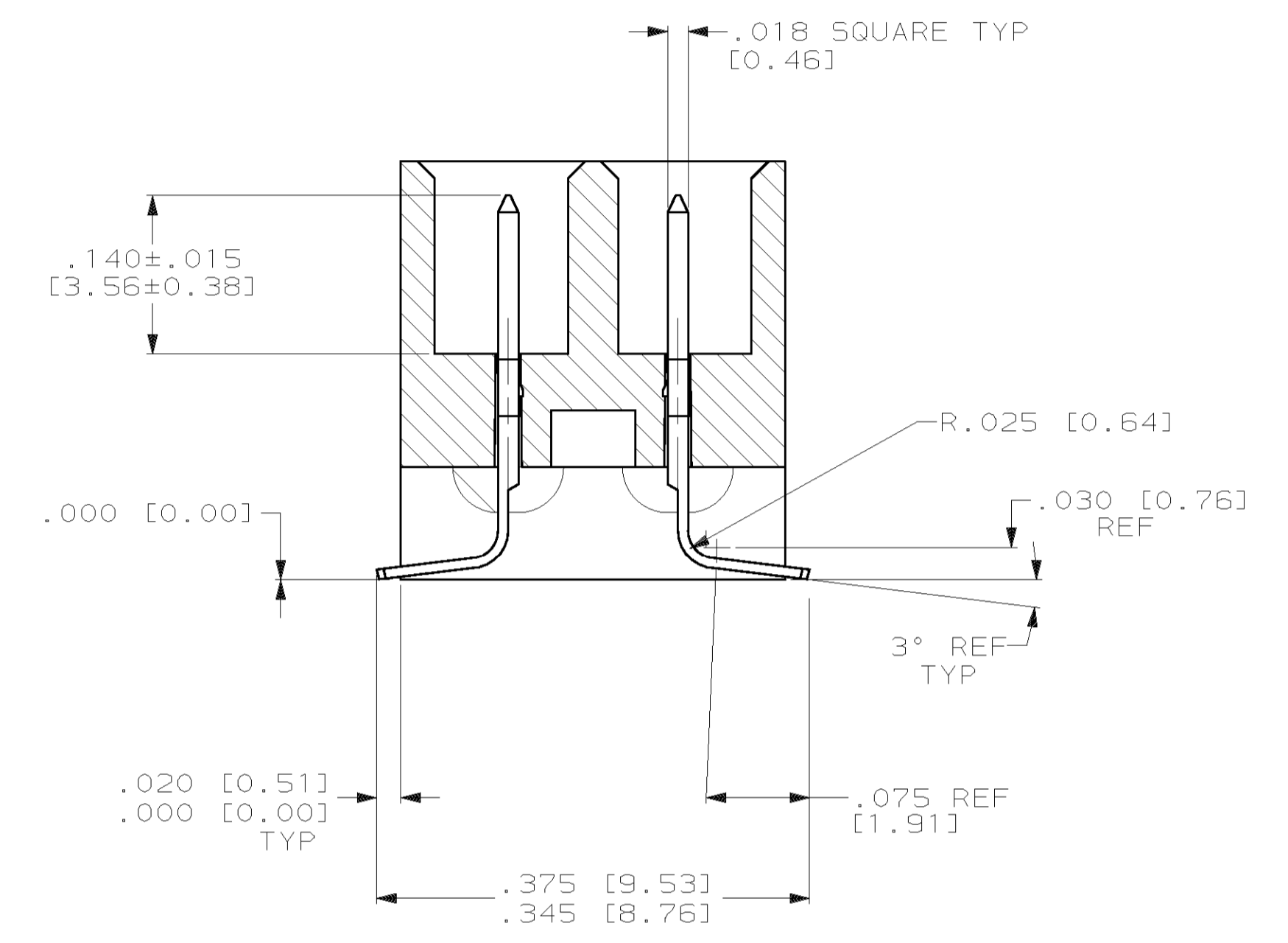
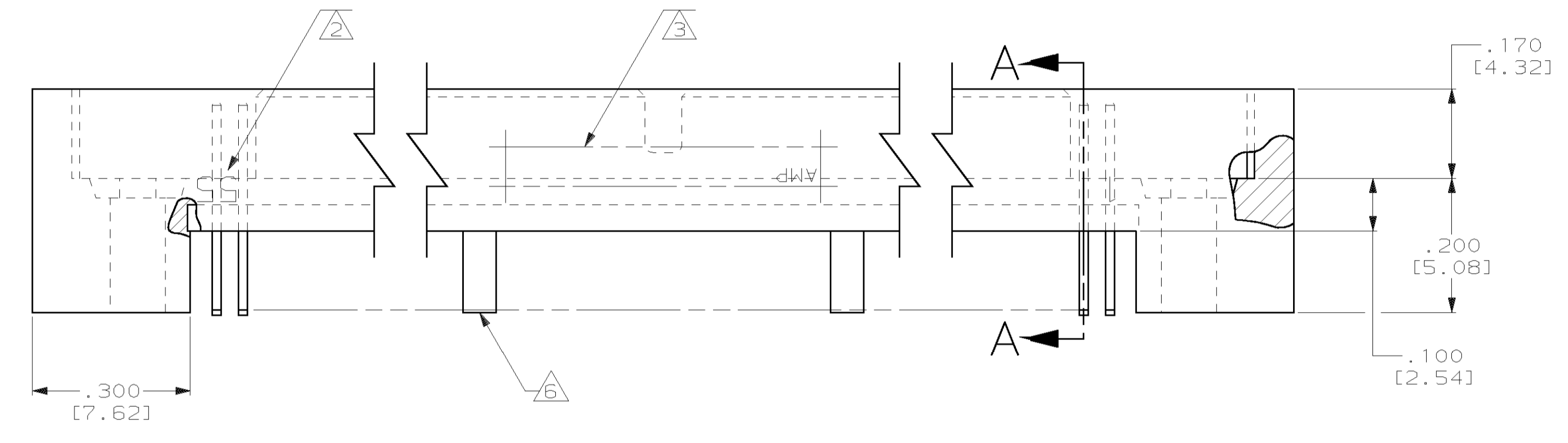


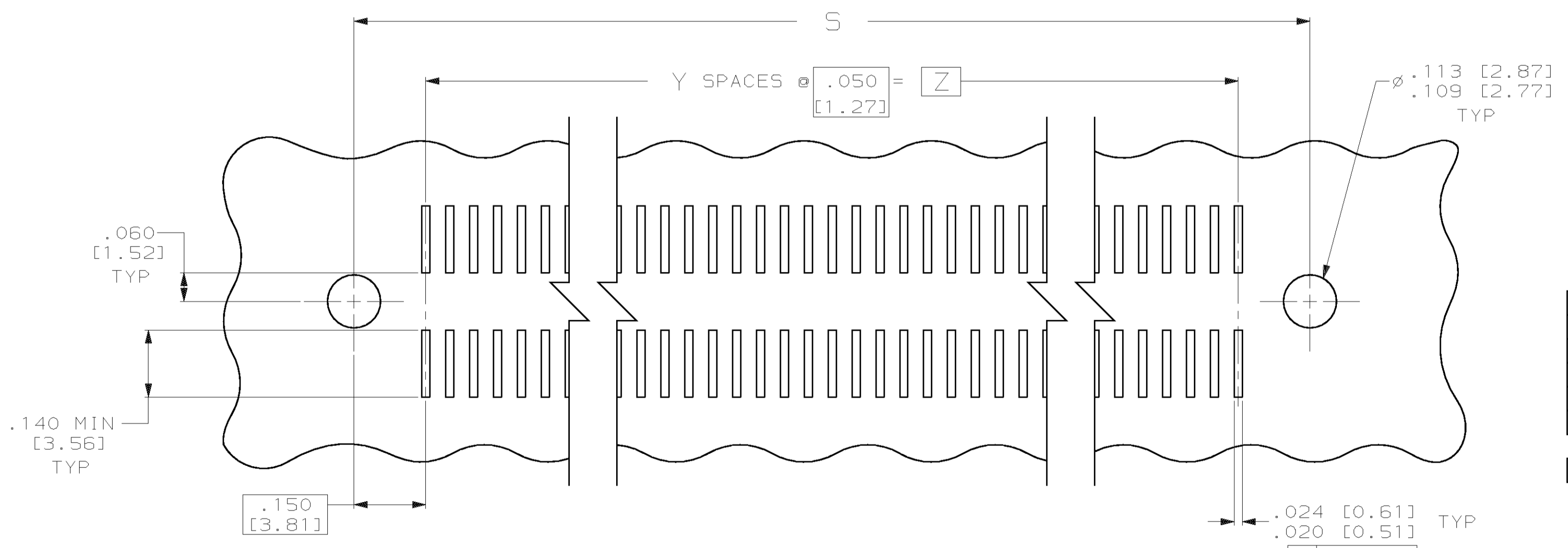
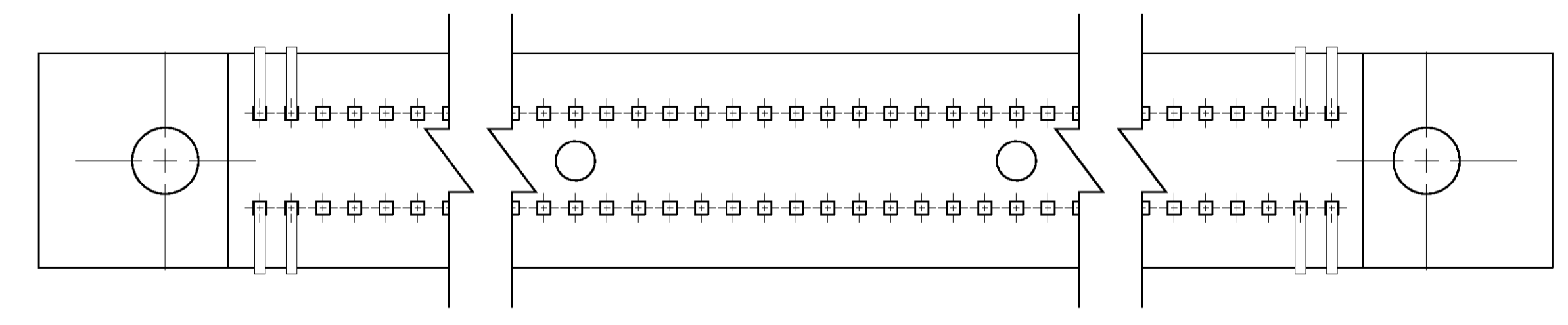
LOC		DIST		REVISIONS			
DF	FO	CHR	DATE	DMN	APVD	DESCRIPTION	
		H	8-00	CT	DM	ADD -5 PER 063D-0385-00	



- MEETS ALL APPLICABLE REQUIREMENTS OF MIL-C-55302.
- NUMBERS INDICATING END POSITIONS MARKED THIS SIDE ONLY.
- AMP, PART NUMBER AND DATE CODE MARKED IN THIS APPROXIMATE AREA.
- HOUSING MAT'L: LIQUID CRYSTAL POLYMER, COLOR: GRAY
- EPOXY IS ADDED TO BOTTOM OF HOUSING FOR INCREASED CONTACT RETENTION.
- 110 & 128 POSN CONNECTOR HAS TWO STANDOFFS, 70 THRU 100 POSN HAS ONE STANDOFF.



SECTION A-A
SCALE 8:1



RECOMMENDED P.C. BOARD LAYOUT

NOT RELEASED	-	-	-	-	-	-	20	1-447441-1
NOT RELEASED	-	-	-	-	-	-	30	1-447441-0
NOT RELEASED	-	-	-	-	-	-	40	447441-9
NOT RELEASED	-	-	-	-	-	-	50	447441-8
NOT RELEASED	-	-	-	-	-	-	60	447441-7
NOT RELEASED	-	-	-	-	-	-	80	447441-6
2.200 [55.88]	44	2.900 [73.66]	2.040 [51.82]	2.720 [69.09]	2.500 [63.50]	90	447441-5	
NOT RELEASED	-	-	-	-	-	100	447441-4	
3.150 [80.01]	63	3.850 [97.79]	2.990 [75.95]	3.670 [93.22]	3.450 [87.63]	128	447441-3	
1.700 [43.18]	34	2.400 [60.96]	1.540 [39.12]	2.220 [56.39]	2.000 [50.80]	70	447441-2	
2.700 [68.58]	54	3.400 [86.36]	2.540 [64.52]	3.220 [81.79]	3.000 [76.20]	110	447441-1	
DIM Z	DIM Y	DIM X	DIM V	DIM T	DIM S	NO OF POSN	PART NUMBER	

THIS DRAWING IS A CONTROLLED DOCUMENT FOR THE INDUSTRY. IF IT IS SUBJECT TO CHANGE AND THE CONTROLLING ENGINEERING ORGANIZATION WOULD BE CONTACTED FOR THE LATEST REVISION.

DIMENSIONS (INCHES [mm])	TOLERANCES UNLESS OTHERWISE SPECIFIED	DMN T. ALEXANDER 10-12-94	AMP Incorporated Harrisburg, PA 17105-3608
0 PLC ±	1 PLC ±	CHK D. GUTTER 10-13-94	NAME AMP PIN HEADER ASSEMBLY, MINI-BOX, SURFACE MOUNT
2 PLC ±	3 PLC ±.005 (0.13)	APVD D. GUTTER 10-13-94	
4 PLC ±	ANGLES 40°/30°	PRODUCT SPEC	SIZE A1
MATERIAL HOUSING	FINISH 000050 GOLD IN CONTACT AREA TIN-LEAD ON TAILS	APPLICATION SPEC	CAGE CODE 00779
		WEIGHT	DRAWING NO C-447441
		CUSTOMER DRAWING	SCALE 5:1

SHEET 1 OF 1 REV H

单击下面可查看定价，库存，交付和生命周期等信息

[>>TE Connectivity\(泰科\)](#)