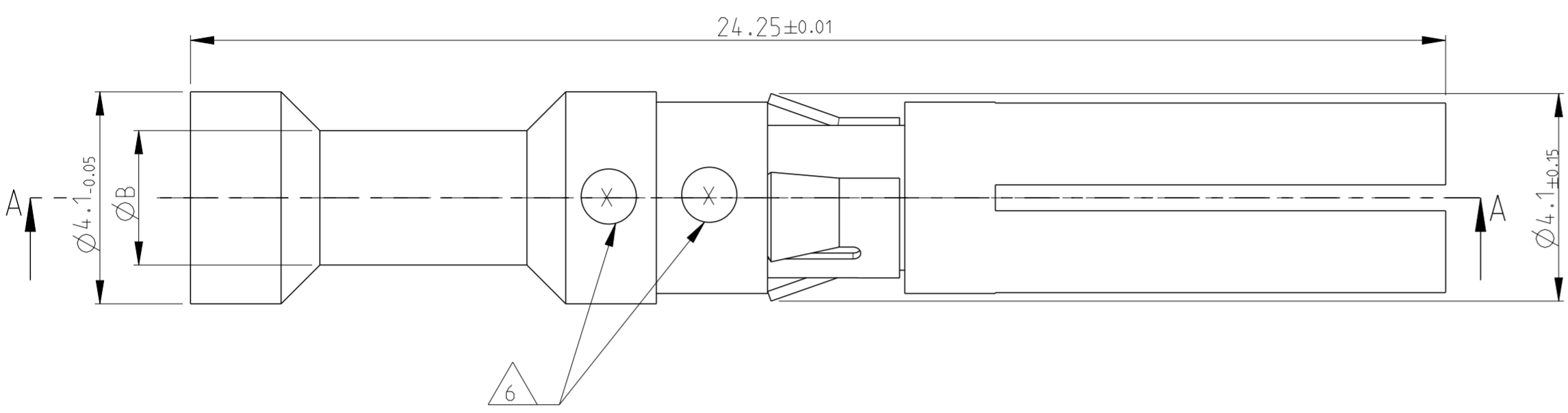


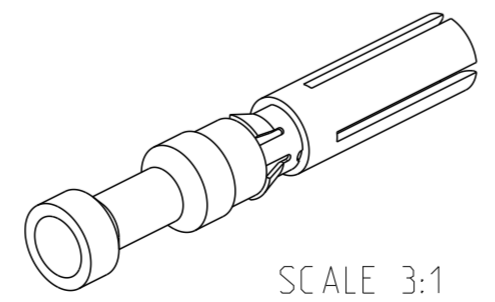
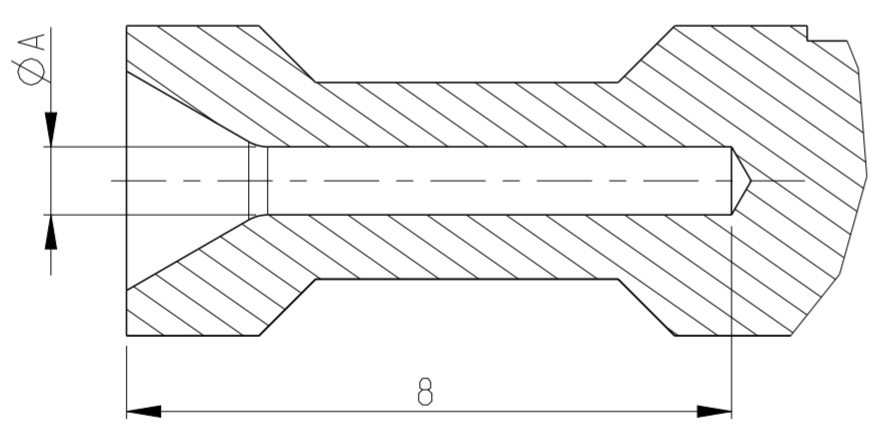
THIS DRAWING IS UNPUBLISHED. RELEASED FOR PUBLICATION  
 © COPYRIGHT - ALL RIGHTS RESERVED.

LOC		DIST		REVISIONS			
P	LTR	DESCRIPTION	DATE	DWN	APVD		
A1	-	G2	REVISED PER ECO-11-005150	31MAR2011	RK	HMR	
		G3	ECR-16-016696	31AUG2017	GR	MKO	



- NOTES
- MATERIAL SEE TABLE
  - SURFACE SEE TABLE
  - ASSEMBLY WEIGHT SEE TABLE
  - PACKAGING: 50 PIECES IN POLYBAG
  - PACKAGING: 500 PIECES IN POLYBAG & CARTON
  - CROSS-SECTION MARKING
  - NO VENTILATION HOLE REQUIRED AT CROSS SECTION >4.0mm<sup>2</sup>
  - SUITABLE PIN CONTACT: PN 1105300
  - SUITABLE INSERTS: SERIES HVT
  - SUITABLE CRIMP TOOL: PN 1-1105851-8
  - SUITABLE INSERTION TOOL: PN 0-1102855-6
  - SUITABLE EXTRACTION TOOL: PN 0-1102855-3
  - STANDARDS: DIN EN 61984, DIN EN 60664-1

SECTION A-A



OBSOLETE												ASSEMBLY WEIGHT IN (Kg) <sup>3</sup>						
0.00142	0.00144	0.00148	0.00145	0.00149	0.00150	0.00144	0.00148	0.00148	0.00145	0.00149	0.00150	Socket Contact 4.0 mm <sup>2</sup>	CuZn39Pb3 F50	GOLD PLATING	2.85	3.9	6	1
1	1	1	1	1	1	1	1	1	1	1	Socket Contact 2.5 mm <sup>2</sup>	SILVER PLATING			2.2	3.2	5	
											Socket Contact 1.5 mm <sup>2</sup>				1.8	3.0	4	
											Socket Contact 0.75-1.0 mm <sup>2</sup>				1.45	2.6	3	
											Socket Contact 0.5 mm <sup>2</sup>				1.1	2.6	2	
											Socket Contact 0.13-0.4 mm <sup>2</sup>				0.9	2.6	1	
											Socket Contact 14 AWG			2.0	3.2	8		
											Socket Contact 12 AWG	2.55		3.6	9			
											Socket Contact 10 AWG	3.2		4.1	7			
											Socket Contact 4.0 mm <sup>2</sup>	2.85		3.9	6			
											Socket Contact 2.5 mm <sup>2</sup>	2.2		3.2	5			
											Socket Contact 1.5 mm <sup>2</sup>	1.8		3.0	4			
											Socket Contact 0.75-1.0 mm <sup>2</sup>	1.45		2.6	3			
											Socket Contact 0.5 mm <sup>2</sup>	1.1	2.6	2				
											Socket Contact 0.13-0.4 mm <sup>2</sup>	0.9	2.6	1				

DESCRIPTION	MATERIAL <sup>1</sup>	SURFACE <sup>2</sup>	ØA	ØB	CROSS SECTION MARKING <sup>6</sup>	ITEM NO
HVT-C-Bu-Au-4.0 mm <sup>2</sup>						
HVT-C-Bu-Au-2.5 mm <sup>2</sup>						
HVT-C-Bu-Au-1.5 mm <sup>2</sup>						
HVT-C-Bu-Au-0.75-1.0 mm <sup>2</sup>						
HVT-C-Bu-Au-0.5 mm <sup>2</sup>						
HVT-C-Bu-Au-0.13-0.4 mm <sup>2</sup>						
HVT-C-Bu-Ag-AWG-14						
HVT-C-Bu-Ag-AWG-12						
HVT-C-Bu-Ag-AWG-10						
HVT-C-Bu-Ag-4.0 mm <sup>2</sup>						
HVT-C-Bu-Ag-2.5 mm <sup>2</sup>						
HVT-C-Bu-Ag-1.5 mm <sup>2</sup>						
HVT-C-Bu-Ag-0.75-1.0 mm <sup>2</sup>						
HVT-C-Bu-Ag-0.5 mm <sup>2</sup>						
HVT-C-Bu-Ag-0.13-0.4 mm <sup>2</sup>						

THIS DRAWING IS A CONTROLLED DOCUMENT.

DIMENSIONS: mm	TOLERANCES UNLESS OTHERWISE SPECIFIED: 0 PLC 1 PLC 2 PLC 3 PLC 4 PLC ANGLES FINISH
MATERIAL <sup>1</sup>	FINISH <sup>2</sup>

DWN: G.WROBLEW.SKI	04.SEP.2007	TE Connectivity SOCKET CONTACT SERIES HVT
CHK: T.SCHNURPEITL	04.SEP.2007	
APVD: T.SCHNURPEITL	04.SEP.2007	
PRODUCT SPEC		
APPLICATION SPEC		NAME
WEIGHT		SIZE
CUSTOMER DRAWING		CAGE CODE
		DRAWING NO
		RESTRICTED TO
		SCALE 10:1
		SHEET 1 OF 1
		REV G3

单击下面可查看定价，库存，交付和生命周期等信息

[>>TE Connectivity\(泰科\)](#)