

4

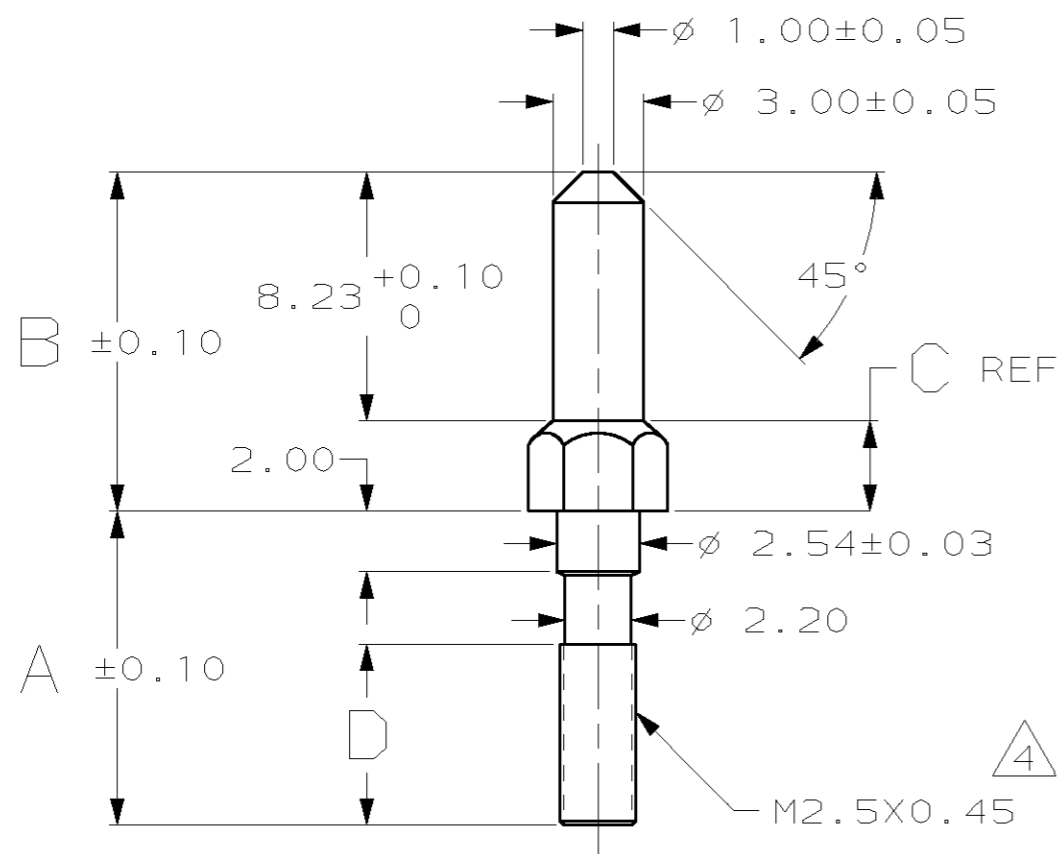
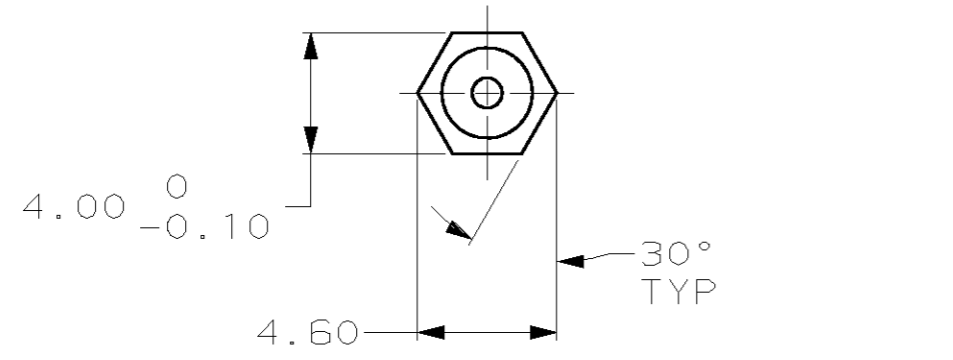
3

2

1

THIS DRAWING IS UNPUBLISHED. RELEASED FOR PUBLICATION ,19 .  
 © COPYRIGHT 19 BY AMP INCORPORATED. ALL RIGHTS RESERVED.

| LOC | DIST | REVISIONS   |                      |          |       |
|-----|------|-------------|----------------------|----------|-------|
| P   | LTR  | DESCRIPTION | DATE                 | DWN      | APVD  |
| GP  | 00   | 0           | REL PER 051C-0012-01 | 01/10/01 | MM SS |



- ① BRASS, TEMPER H02, PER 100-110-1.
- ② 5.08 μm MIN NICKEL PER 112-25-1 OVER 6.35μm MIN COPPER PER 112-300-2.
- 3. DIMENSIONS ARE SHOWN AFTER PLATING.
- ④ AFTER PLATING THREAD TO BE M2.5-6g.

|      |      |       |       |             |
|------|------|-------|-------|-------------|
| 5.00 | 2.22 | 10.45 | 7.80  | 796014-3    |
| 4.50 | 3.02 | 11.25 | 7.00  | 796014-2    |
| 6.00 | 3.02 | 11.25 | 10.40 | 796014-1    |
| D    | C    | B     | A     | PART NUMBER |

|   |             |                             |   |                    |
|---|-------------|-----------------------------|---|--------------------|
| THIS DRAWING IS A CONTROLLED DOCUMENT.                                    |             | DWN<br>M. MORRIS<br>01JAN01 | AMP Incorporated<br>Harrisburg, PA 17105-3608 |                    |
| DIMENSIONS:<br>mm   |             | CHK<br>S. SHUEY<br>01JAN01  |   |                    |
| TOLERANCES UNLESS OTHERWISE SPECIFIED:                                    |             | APVD<br>S. SHUEY<br>01JAN01 | NAME<br>GUIDE PIN, .050 CHAMP                 |                    |
| 0 PLC ±-<br>1 PLC ±-<br>2 PLC ±0.15<br>3 PLC ±-<br>4 PLC ±-<br>ANGLES ±1° |             | PRODUCT SPEC<br>-           | APPLICATION SPEC<br>-                         |                    |
| MATERIAL<br>①   | FINISH<br>② | WEIGHT<br>-                 | SIZE<br>A3                                    | CAGE CODE<br>00779 |
| CUSTOMER DRAWING  |             |                             | DRAWING NO<br>C- 796014                       | RESTRICTED TO<br>- |
|   |             |                             | SCALE<br>4:1                                  | SHEET<br>1 OF 1    |
|   |             |                             | REV<br>0                                      |                    |

单击下面可查看定价，库存，交付和生命周期等信息

[>>TE Connectivity\(泰科\)](#)