

4

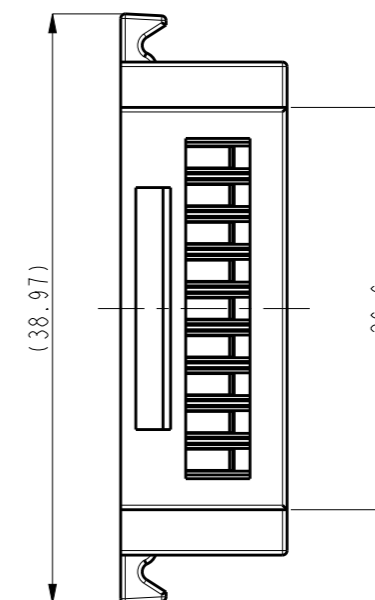
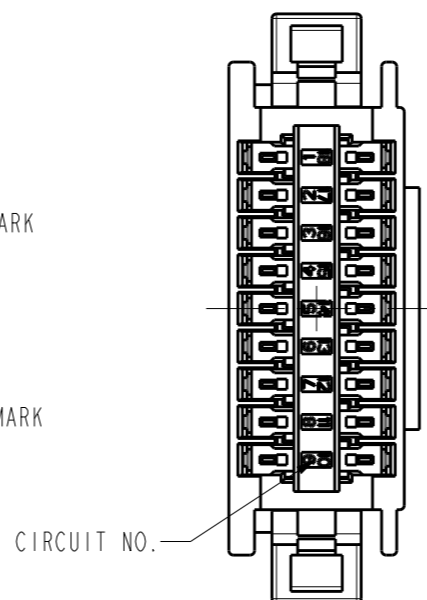
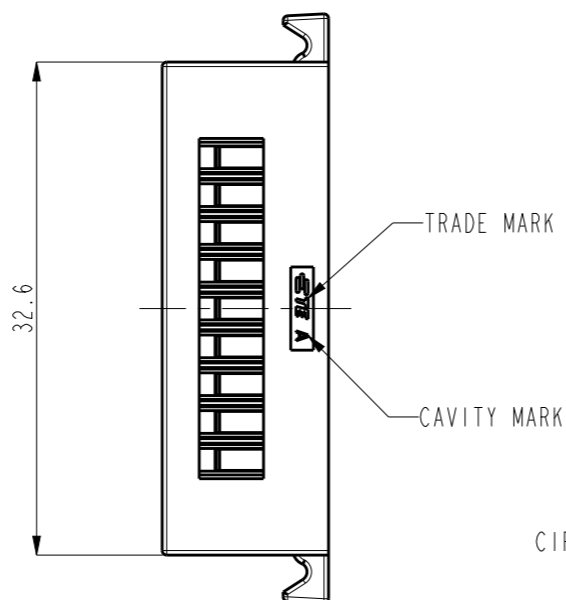
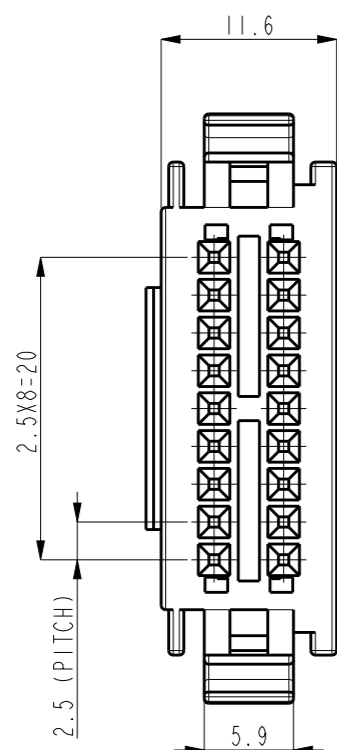
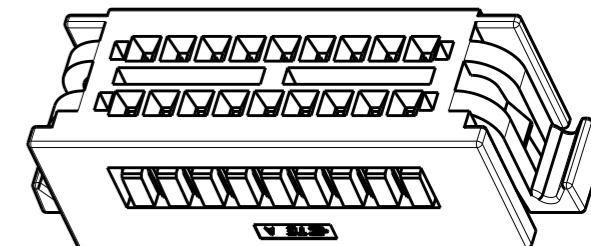
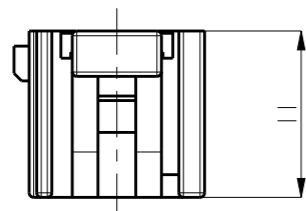
3

2

1


THIS DRAWING IS UNPUBLISHED. RELEASED FOR PUBLICATION 20
© COPYRIGHT 20 BY - ALL RIGHTS RESERVED.

LOC	DIST	REVISIONS				
P	LTR	DESCRIPTION	DATE	DWN	APVD	
	D	ECR-19-010880	16JUL2019	SE	BH	



- NOTE
1. GENERAL TOLERANCES: ±0.25
 2. MATING HSG P/N: 2108505-1
 3. APPLIED CONTACT P/N: 917683-X, 917684-X
 4. APPLIED TPA P/N: 917705-1
 5. MATERIAL: PA66 (UL94V-0)

2108504-1	NAT	I8
P/N	COLOR	POS

THIS DRAWING IS A CONTROLLED DOCUMENT.		DWN	SE JUNG	 TE Connectivity		
DIMENSIONS: mm		CHK	BH CHO			
TOLERANCES UNLESS OTHERWISE SPECIFIED:		APVD	BW KANG	NAME		
0 PLC ±:		PRODUCT SPEC	108-61163	2.5 SDL 18P PLUG HSG 2ROW TYPE		
1 PLC ±0.5		APPLICATION SPEC	114-5203	2.5 SDL 18P PLUG HSG 2ROW TYPE		
2 PLC ±0.13		WEIGHT	-	SIZE	CAGE CODE	DRAWING NO
3 PLC ±0.013		RESTRICTED CUSTOMER		A3	00779	©-2108504
4 PLC ±0.0001				SCALE	SHEET	OF
ANGLES ±:				2:1	1	1
FINISH -				REV	D	

单击下面可查看定价，库存，交付和生命周期等信息

[>>TE Connectivity\(泰科\)](#)