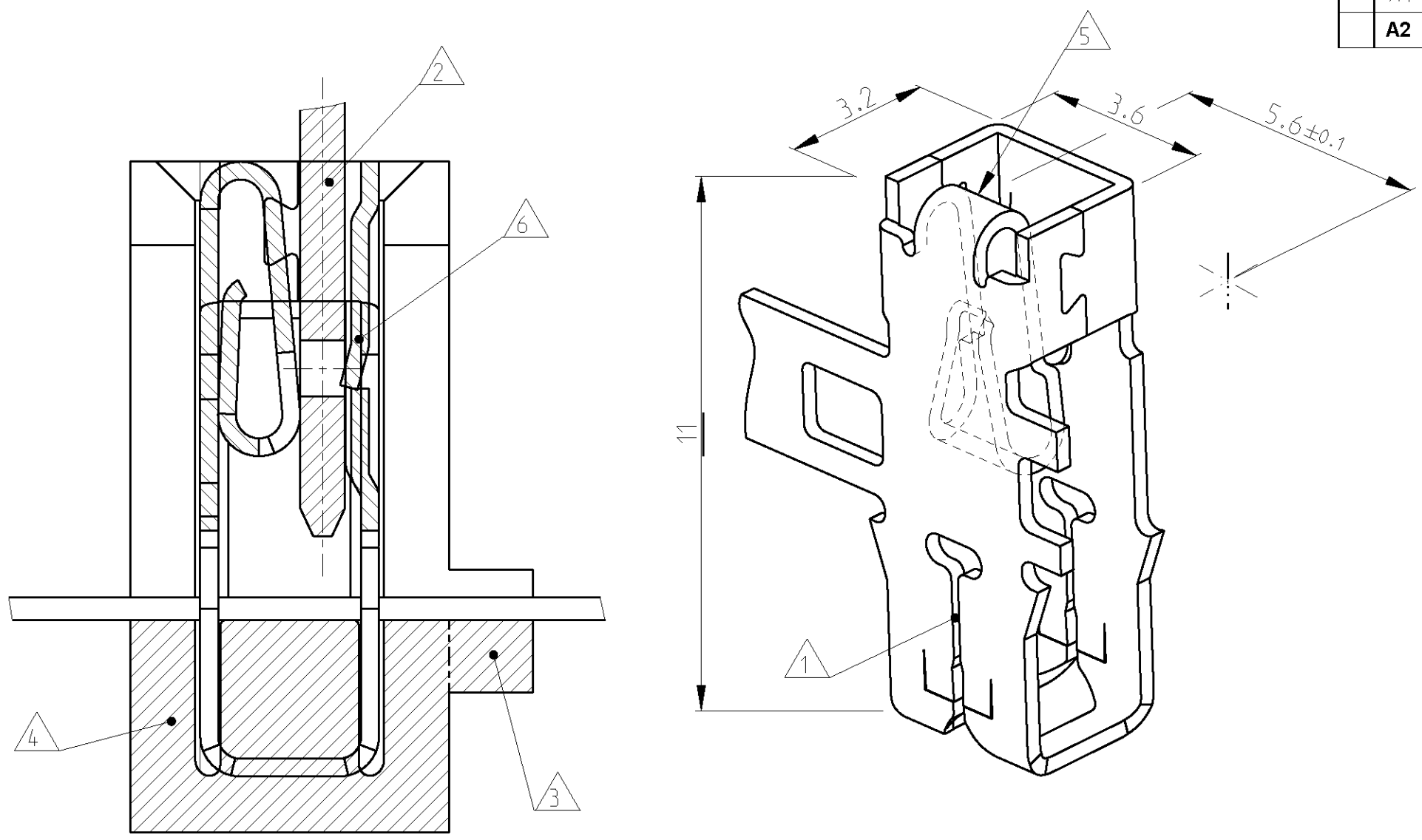


THIS DRAWING IS UNPUBLISHED. RELEASED FOR PUBLICATION 2008
 © COPYRIGHT 2008 BY TYCO ELECTRONICS CORPORATION. ALL RIGHTS RESERVED.

LOC	DIST	REVISIONS			
P	LTR	DESCRIPTION	DATE	DWN	APVD
A1	-				
	2	VARIANTE 1-964108-1/-2 HINZU	22-04-92	Kürschner	
	A1	REDRAWN TO PRO/E	26.01.09	DZ	TK
	A2	REVISED PER ECO-09-026444	27NOV09	KK	AEG



- 1 Kontakt geeignet fuer:
Lackdraht $\varnothing 0.265-0.40\text{mm}$
(Einzeldraht oder zwei Draehte gleichen Durchmessers)
Slot accepts:
SINGLE MAGNET WIRE $\varnothing 0.265-0.40\text{mm}$
DOUBLE MAGNET WIRE SAME DIAMETERS
- 2 Flachstecker A2.8-0.5mm oder A2.8-0.8mm nach DIN 46244
Flat pin A2.8-0.5mm or A2.8-0.8mm according to DIN 46244
- 3 Bereich wird beim Kontaktieren abgetrennt
AREA WILL BE CUTTED OF BY TERMINATION
- 4 Kontakt-Kammer nach Zeichnung 411-18514
CAVITY ACCORDING DWG 411-18514
- 5 Kennziffer fuer Lackdrahtbereich (6)
IDENTIFICATION NO. (6)
- 6 Unter Vorstrich-Zahl 1-...
auch "ohne" Rastnase lieferbar
UNDER PRAEFIX NO: 1-
also without locking nose available
- 7 **OBSOLETE PARTS: OBSOLETE CIS STREAMLINING PER D.RENAUD/D.SINISI**

ORDER-NR.	POS.	PIECE	Description	MATERIAL	SURFACE COLOUR
1-964108-2	A	-	MAG-MATE Kontakt "without"	CuNiSi	posttinned
1-964108-1	A	-	MAG-MATE Kontakt "without"	CuNiSi	pretinned
964108-2	A	-	MAG-MATE Kontakt "with"	CuNiSi	posttinned
964108-1	A	-	MAG-MATE Kontakt "with"	CuNiSi	pretinned

THIS DRAWING IS A CONTROLLED DOCUMENT FOR TYCO ELECTRONICS CORPORATION IT IS SUBJECT TO CHANGE AND THE CONTROLLING ENGINEERING ORGANIZATION SHOULD BE CONTACTED FOR THE LATEST REVISION.

DIMENSIONS:	TOLERANCES UNLESS OTHERWISE SPECIFIED:
mm	$\pm 0.2\text{mm}$
0 PLC	\pm
1 PLC	\pm
2 PLC	\pm
3 PLC	\pm
4 PLC	\pm
ANGLES	$\pm 1^\circ$
MATERIAL	FINISH
SEE TABLE	SEE TABLE

DWN	A.HOLCH	17-12-91	Tyco Electronics AMP GmbH 64625 Bensheim (Germany)
CHK	H.PLÖBER	17-12-91	
APVD	-	-	
NAME			MAG-MATE TERMINAL WITH TAB-RECEPT. 2.8-0.5/0.8
PRODUCT SPEC	108-2012		RESTRICTED TO
APPLICATION SPEC	114-2046		
WEIGHT	-		
CUSTOMER DRAWING			SCALE 10:1 SHEET 1 OF 1 REV A2

单击下面可查看定价，库存，交付和生命周期等信息

[>>TE Connectivity\(泰科\)](#)