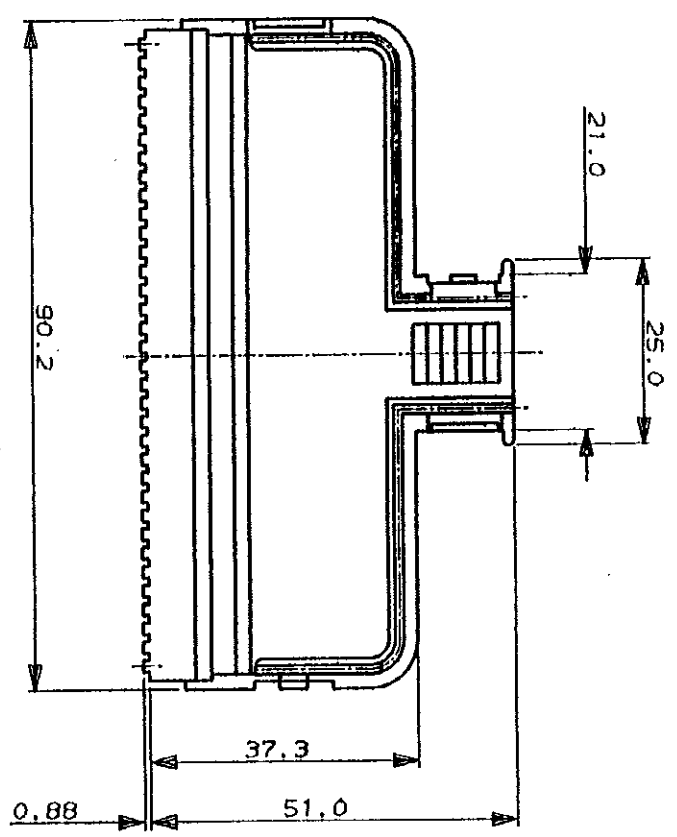
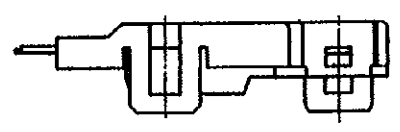


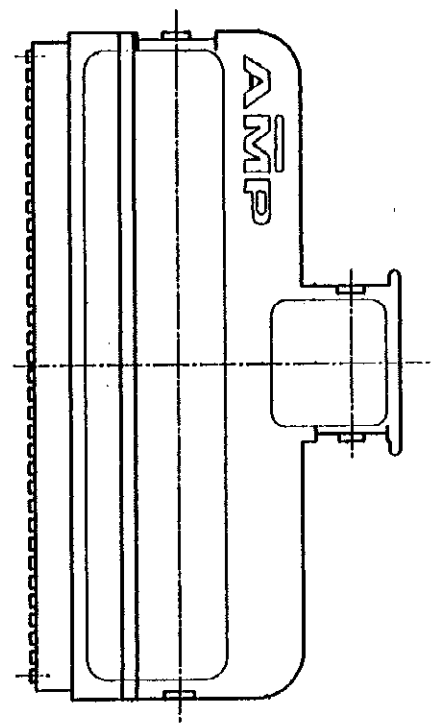
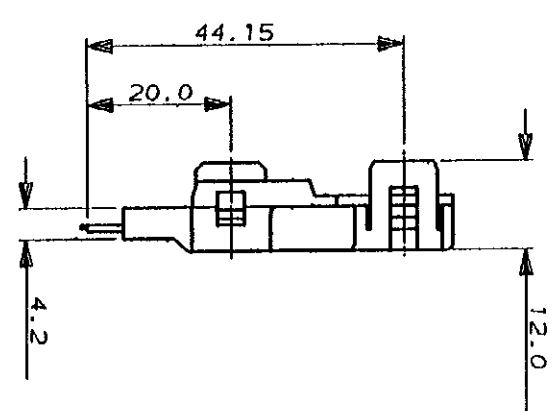
DIMENSIONS IN MILLIMETERS. DO NOT SCALE PRINT

PRINT DIST.

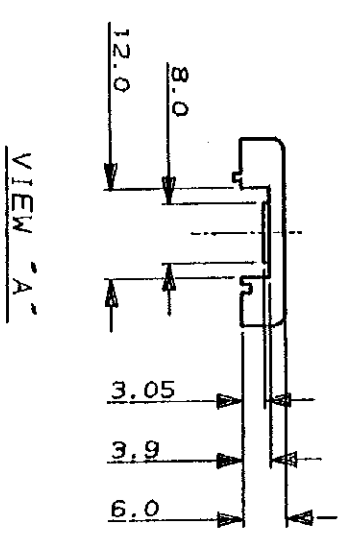
AMP-J  
REV. 10/1/89



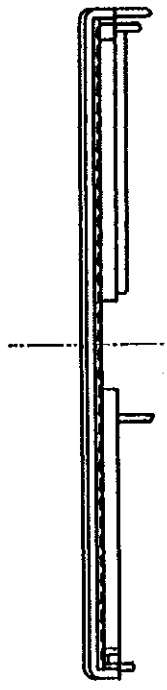
VIEW "A"



-1; AS SHOWN  
-1;



VIEW "A"



LTR		REV		DR		CHK		DATE		© 1989 BY AMP (JAPAN) LTD. ALL RIGHTS RESERVED. AMP PRODUCTS COVERED BY PATENTS AND OR PATENTS PENDING		<b>AMP</b> AMP (JAPAN), LTD. Tokyo, Japan	
A	REV 01	DR	CHK	DATE	DATE	DATE	DATE	DATE	DATE	DATE	WIRE RANGE mm <sup>2</sup> (AWG - )	INSULATION DIA mm	NAME CABLE COVER 68P 5200 CONN. SYSTEM (W-T-B)
											MATERIAL (Material description)	FINISH (Finish description)	GENERAL TOLERANCE 0-25k ± 0.2 25-50k ± 0.25 50-100k ± 0.3 ANGLES ± 0.5
													SIZE LOC NUMBER A3 J C-175601
													SCALE 1-1
													REV. A SHEET 1 OF 1

CUSTOMER DRAWING

单击下面可查看定价，库存，交付和生命周期等信息

[>>TE Connectivity\(泰科\)](#)