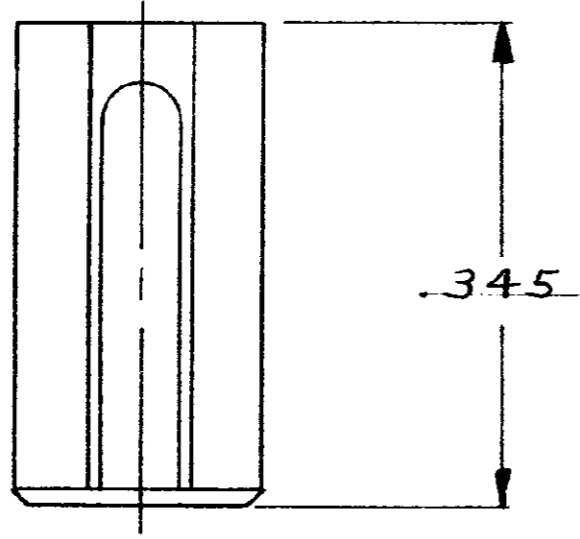
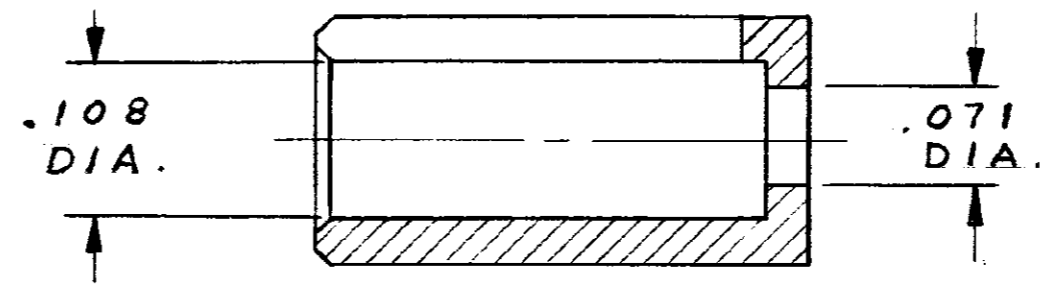
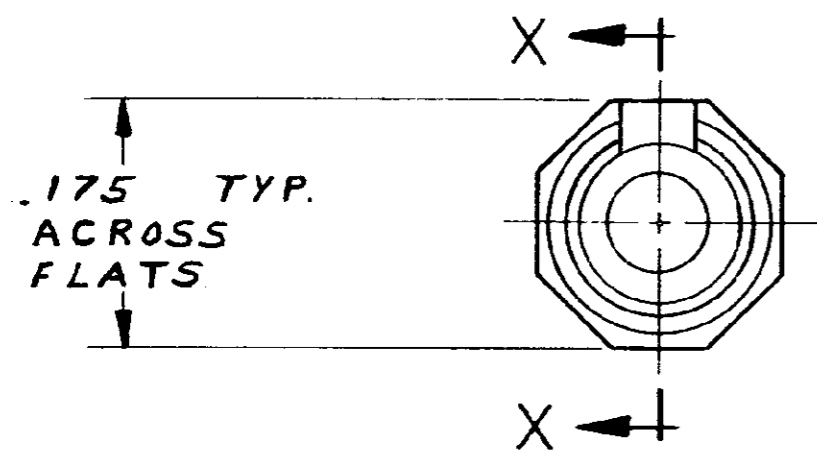


REVISIONS						
P	F	ZONE	LTR	DESCRIPTION	DATE	APPROVED
			P	REVISED PER ECO-11-005294	12APR11	HMR



531714-1 1, AS SHOWN



SECTION X-X

1. TO BE USED WITH PIN 531713-1

UNLESS OTHERWISE SPECIFIED DIMENSIONS ARE IN INCHES. TOLERANCES ON: DECIMALS ±.005 ANGLES ±			CONTRACT NO		PART NO	
MATERIAL STAINLESS STEEL			DR <i>M. Smith</i> 5-29-80		TE Connectivity	
FINISH PASSIVATED			CHK <i>W. Hatcher</i> 7/29/80		NAME COMBINATION GUIDE, KEYING INSERT	
			APPD <i>E. Parsons</i> 5/20/80		DRAWING NO 531714	
			DSGN APPD		SIZE B	
			OTHER APPD		CODE IDENT NO 00779	
					SCALE 8-1	
					SHEET	

CUSTOMER DRAWING

单击下面可查看定价，库存，交付和生命周期等信息

[>>TE Connectivity\(泰科\)](#)