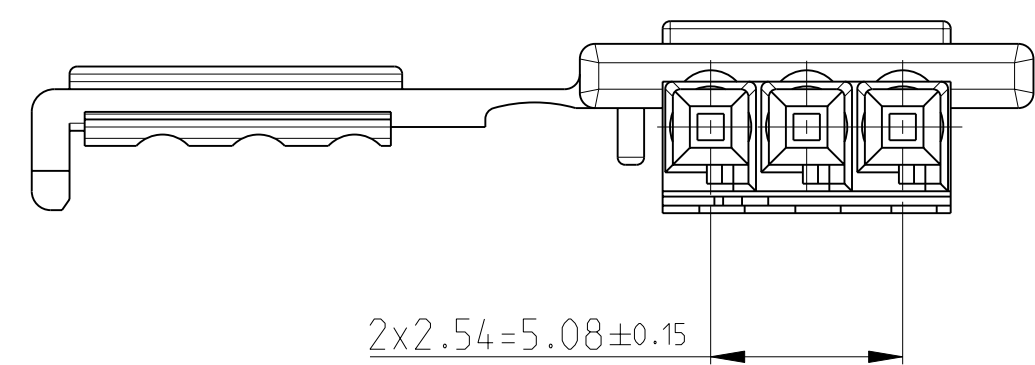
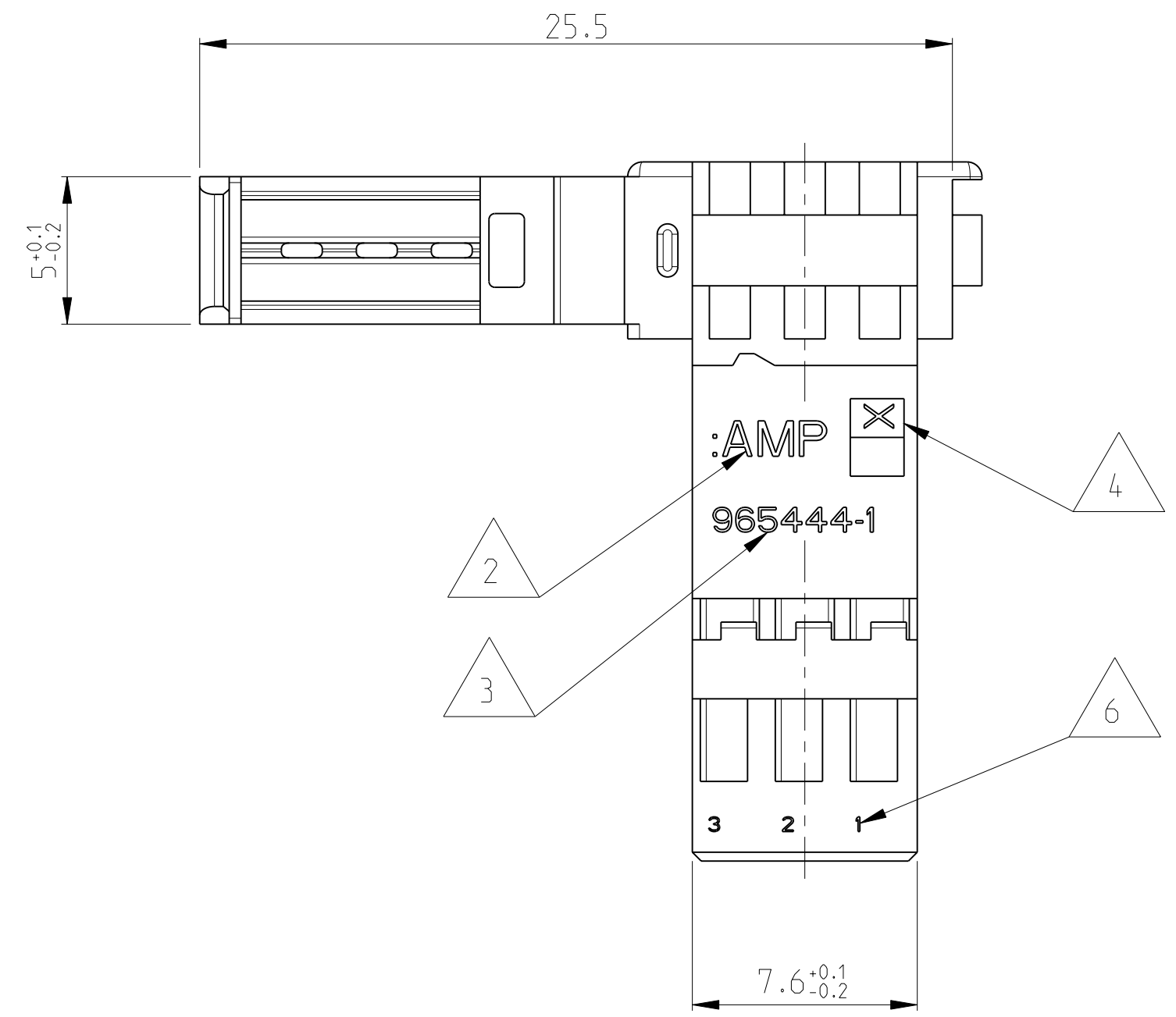
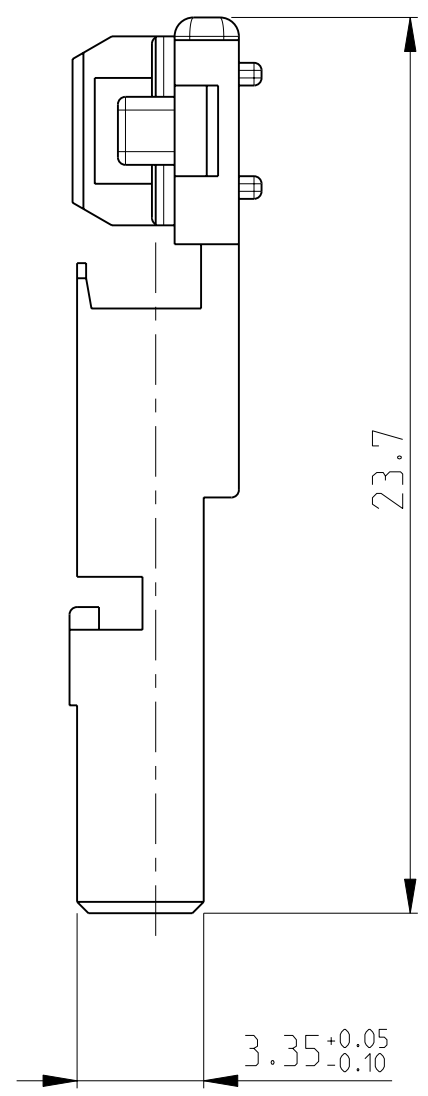
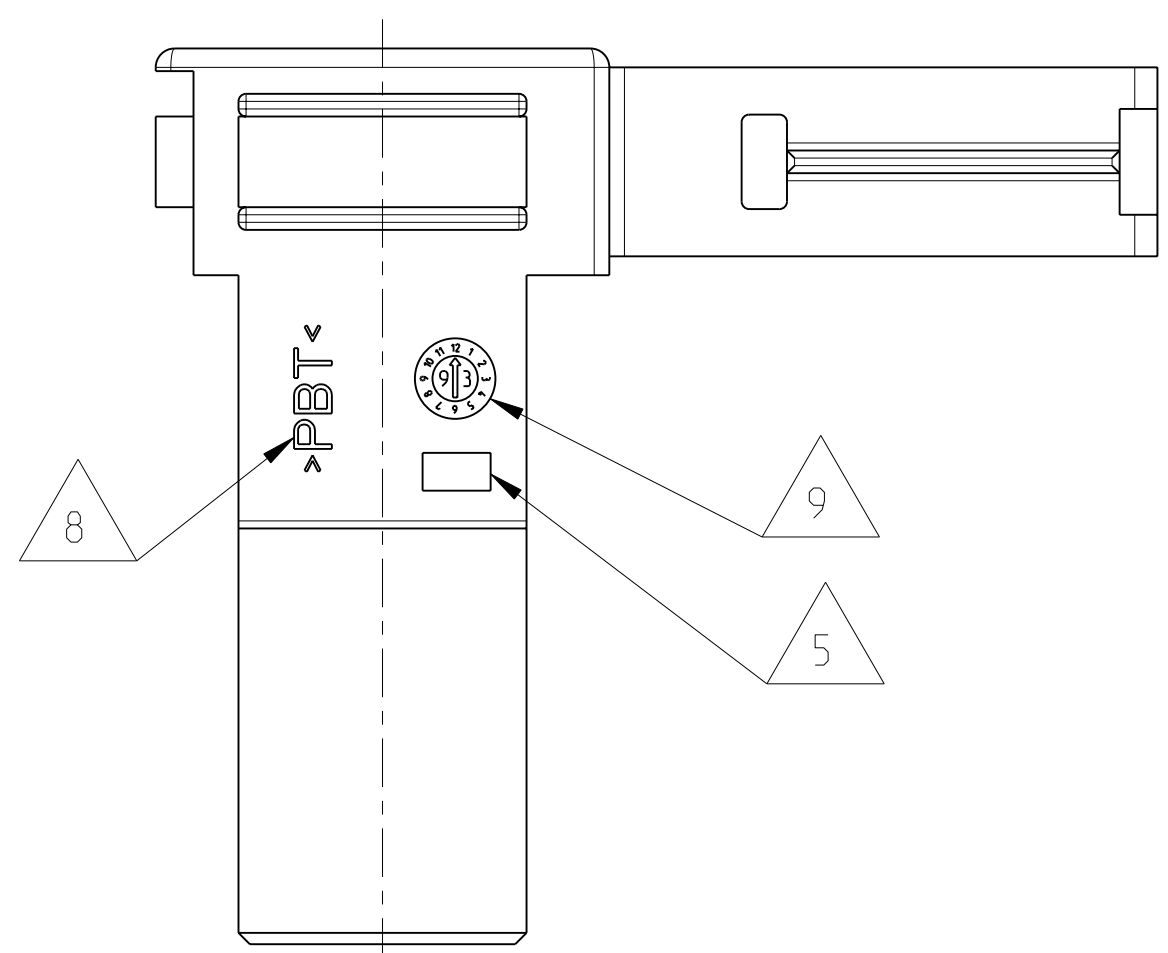


THIS DRAWING IS UNPUBLISHED. RELEASED FOR PUBLICATION 2009  
 © COPYRIGHT 2009 BY TYCO ELECTRONICS CORPORATION. ALL RIGHTS RESERVED.

LOC	DIST	REVISIONS			
P	LTR	DESCRIPTION	DATE	DWN	APVD
A1	-				
B		Drawing updated	16JUN1994	Mattern	GS
B2		SEE ECR-10-001511	21MAY2010	HM	GS



NOTES

Bemerkungen

- 1 FITS TO HEADER PN 967279-1  
Passend zu Gegenstecker PN 967279-1
- 2 COMPANY-LOGO  
Firmen-Logo
- 3 ORDER-NUMBER  
Bestell-Nummer
- 4 REVISIONS-NUMBER  
Werkzeugaenderungsindex
- 5 TOOL CAVITY MARKING  
Nestmarkierung
- 6 CAVITY MARKING  
Kammernumerierung
- 7 PACKAGING: BULK PACKAGING IN CORRUGATED SHIPPING BOX  
Verpackung: Schüttgut in Versandkarton
- 8 MATERIAL MARKING  
Werkstoffkennzeichnung
- 9 PRODUCTION-DATE WITH DATE  
Produktionsdatum mit Datumshur

TE-ASSY PART NO	REV	QTY	DESCRIPTION	MATERIAL	COLOUR	ITEM NO
965444-1	B	1	SOCKET HOUSING	PBT	BLACK	1

THIS DRAWING IS A CONTROLLED DOCUMENT FOR TYCO ELECTRONICS CORPORATION IT IS SUBJECT TO CHANGE AND THE CONTROLLING ENGINEERING ORGANIZATION SHOULD BE CONTACTED FOR THE LATEST REVISION.		DWN H.Meinhardt 26JAN2010 CHK - APVD - PRODUCT SPEC - APPLICATION SPEC - WEIGHT - CUSTOMER DRAWING	Tyco Electronics Tyco Electronics AMP GmbH 64625 Bensheim (Germany) NAME 3POS. MQS SOCKET HOUSING 3pol. MQS Buchsengehäuse SIZE CAGE CODE DRAWING NO RESTRICTED TO A2 00779 C-965444 - SCALE 5:1 SHEET 1 OF 1 REV B2
--	--	--	--

单击下面可查看定价，库存，交付和生命周期等信息

[>>TE Connectivity\(泰科\)](#)