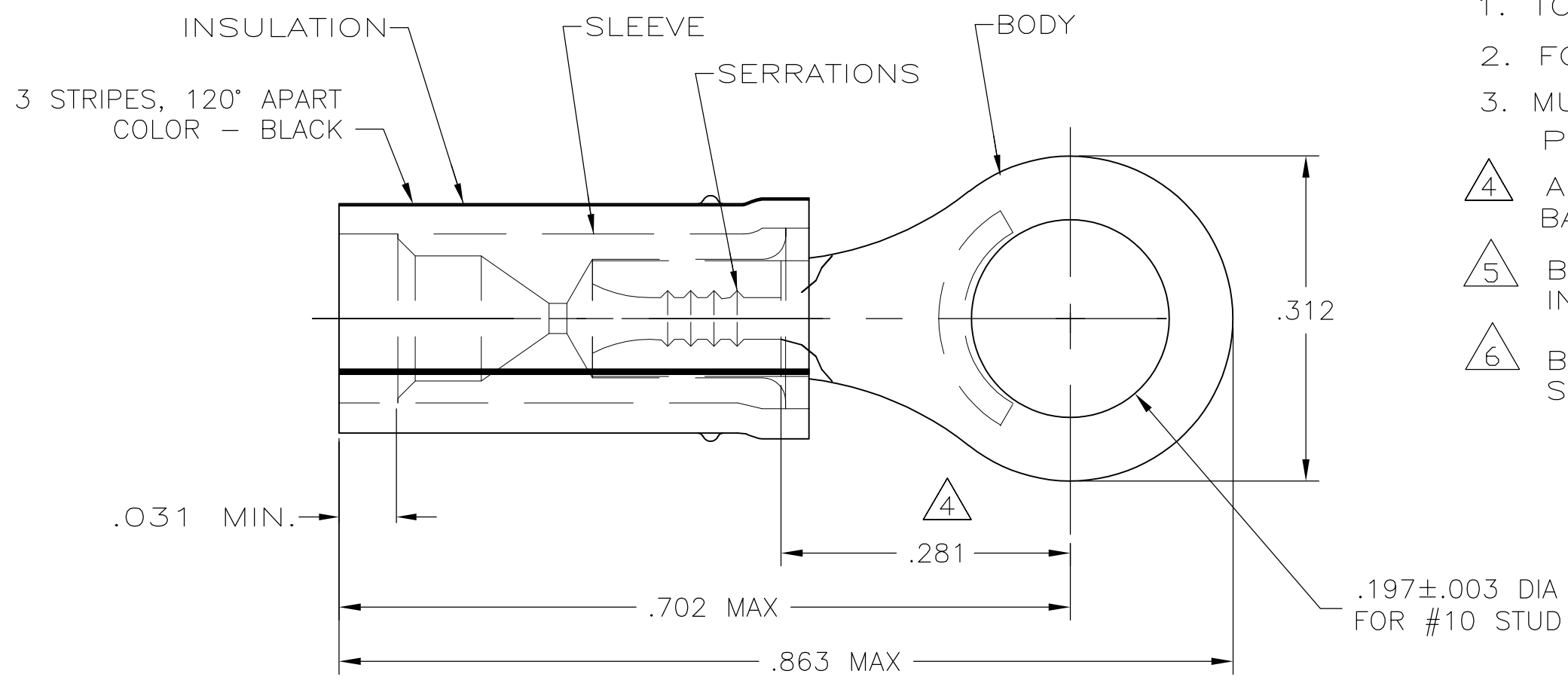


THIS DRAWING IS UNPUBLISHED. RELEASED FOR PUBLICATION
 © COPYRIGHT BY TYCO ELECTRONICS CORPORATION. ALL INTERNATIONAL RIGHTS RESERVED.

LOC	DIST	REVISIONS			
P	LTR	DESCRIPTION	DATE	DWN	APVD
G	14				
	D	REV PER ECR 08-027659	31OCT08	JR	TM

AMP
WIRE RANGE

26 AWG
STRANDED



1. TONGUE MATERIAL THK: .027±.001
 2. FOR .026 TO .055 WIRE INS. OD.
 3. MUST BE CRIMPED WITH 22-18 OR 22-16 PIDG (RED) TOOL.
- 4 APPLIED FROM EDGE OF METAL WIRE BARREL TO CENTER OF STUD HOLE.
- 5 BODY & SLEEVE: CU PER ASTM B152
INSULATION: NYLON, COLOR - YELLOW
- 6 BODY; TIN PLATE PER ASTM B545
SLEEVE: NI PLATE PER QQ-N-290

M7928/1-5 CLASS 1 & 2	1	WIRE TERMINAL	53052
MILITARY P/N AND CLASS	QTY	PACKAGE TYPE	PART NO

AMP INCORPORATED CUSTOMER SERVICE SYSTEMS		MAX RECOMMENDED OPERATING TEMPERATURE: 105°C [221°F]
FOR ADDITIONAL PRODUCT INFORMATION OR COPIES OF DRAWINGS AND TECHNICAL DOCUMENTS	PRODUCT INFORMATION CENTER 1-800-522-6752	VOLTAGE RATING: 300V MAX
FOR APPLICATION TOOLING INFORMATION	TOOLING ASSISTANCE CENTER 1-800-722-1111	CIRCULAR MIL AREA: 0.12-0.15mm² [238-304] STRANDED
FOR ORDER ENTRY	1-800-526-5142	THIS DRAWING IS A CONTROLLED DOCUMENT FOR AMP INCORPORATED. IT IS SUBJECT TO CHANGE AND THE CONTROLLING ENGINEERING ORGANIZATION SHOULD BE CONTACTED FOR THE LATEST REVISION.

THIS DRAWING IS A CONTROLLED DOCUMENT.	
DIMENSIONS: INCHES	TOLERANCES UNLESS OTHERWISE SPECIFIED:
	0 PLC ± -
	1 PLC ± -
	2 PLC ± .008
	3 PLC ± -
	4 PLC ± -
	ANGLES ± -
MATERIAL	FINISH
5	6

DWN JR RUTH 28OCT08		Tyco Electronics Corporation Harrisburg, PA 17105-3608	
CHK TOM MICHIELUTTI 28OCT08		NAME	
APVD TOM MICHIELUTTI 28OCT08		TERMINAL, PIDG, RING TONGUE, INSULATION RESTRICTING WIRE SIZE: 26	
PRODUCT SPEC		SIZE	CAGE CODE
APPLICATION SPEC	A3	00779	C-53052
WEIGHT	RESTRICTED TO		
CUSTOMER DRAWING	SCALE	SHEET	REV
	8:1	1 OF 1	D

单击下面可查看定价，库存，交付和生命周期等信息

[>>TE Connectivity\(泰科\)](#)