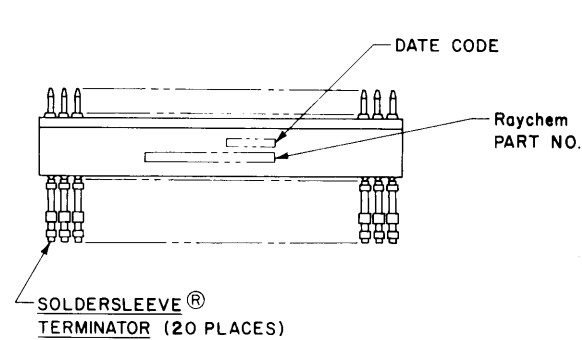


REVISIONS			
LTR	DESCRIPTION	DATE	APPROVED
B	REVISED PER ECN T-17745	92 Sep 14	[Signature]



5 WEIGHT (MAX.):

LBS.	GRAMS
.6092	4.173

4 PIN NUMBER ONE IS MARKED IN CONTRASTING COLOR ON INTERFACIAL SEAL.

- | | | |
|---------------|------------------------|--|
| 3. FINISH : | 3-A PIN WAFER ; | FINISH TO BE AS MOLDED. |
| | 3-B PIN CONTACT ; | GOLD PLATE PER MIL-G-45204, CLASS I. |
| | (ENGAGING END) | |
| | 3-C CONTACT TAIL ; | COATED WITH Sn63 SOLDER PER QQ-S-571 |
| 2. MATERIAL : | 2-A PIN WAFER ; | HIGH GRADE POLYARYLENE THERMOPLASTIC. |
| | 2-B PIN CONTACT ; | COPPER ALLOY PER QQ-B-613 OR QQ-C-502. |
| | 2-C INTERFACIAL SEAL ; | SILICONE ELASTOMER PER MIL-R-25988. |
| | 2-D SOLDERSLLEEVE® | REFER TO RAYCHEM DWG. CTA-0068 FOR DATA. |
| | TERMINATOR ; | |

1. THIS WAFER ASSEMBLY USED IN MTC100 CONNECTORS.

NOTES:

If this document is printed it becomes uncontrolled.
Check with the web for latest revision.

SPECIFICATION CONTROL DRAWING Raychem Corporation 1983

DRAWN	HAWKINGS	11-16-83	Raychem RAYCHEM CORPORATION 300 CONSTITUTION DRIVE MENLO PARK, CALIFORNIA 94025	
CHECKED	[Signature]			
APPROVED	[Signature]	12-2-83	TITLE WAFER ASSEMBLY, PIN, "A" STYLE, 2",20 CONTACTS, WITH OVAL ENTRY FOR 20-26 AWG. TEMP. RATING 125° C MTC100 SERIES	
APPROVED	[Signature]	12-2-87		
UNLESS OTHERWISE SPECIFIED DIMENSIONS ARE IN INCHES ±.005 METRIC DIMENSIONS ARE IN PARENTHESIS (M.M.)			SIZE A	CODE IDENT NO 06090
DO NOT SCALE THIS DRAWING			DWG NO MTC100-JA2-PI4	WEIGHT 5
			SHEET 1 OF 1	

单击下面可查看定价，库存，交付和生命周期等信息

[>>TE Connectivity\(泰科\)](#)