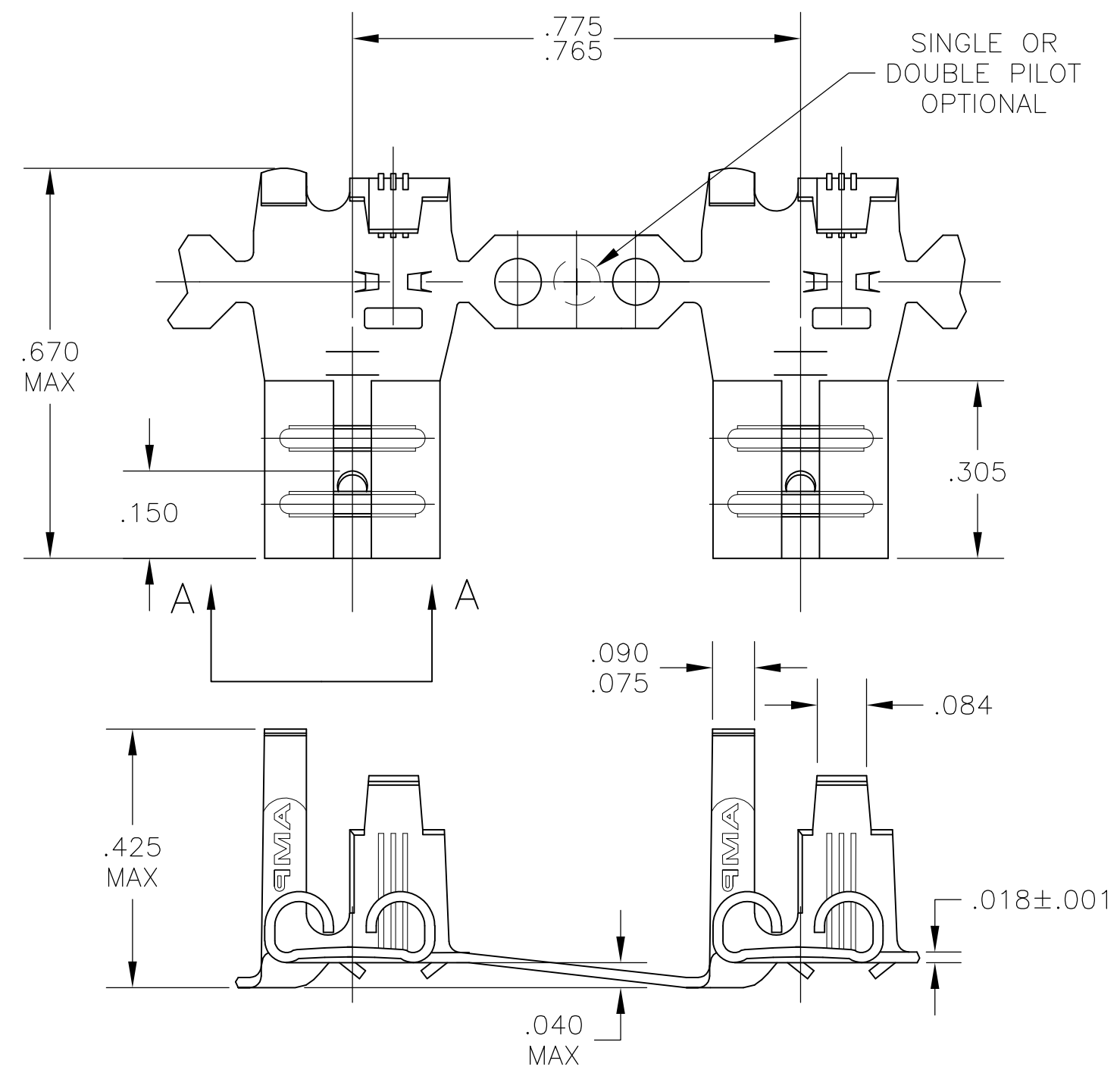
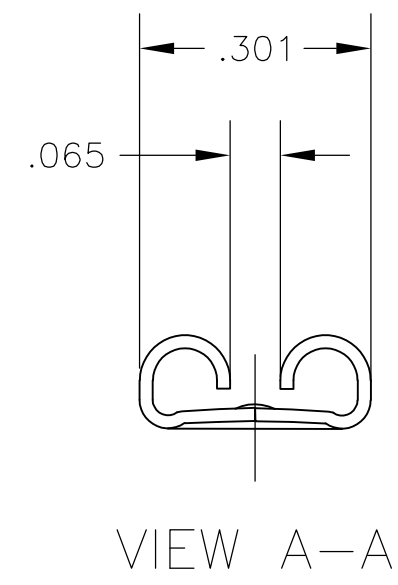


THIS DRAWING IS UNPUBLISHED. RELEASED FOR PUBLICATION
 © COPYRIGHT - By - ALL RIGHTS RESERVED.

LOC	DIST	REVISIONS			
P	LTR	DESCRIPTION	DATE	DWN	APVD
AF	50				
	E	REVISED PER ECR-12-013459	29NOV2012	KH	PD



- 1 CONTINUOUS STRIP ON REELS
- 2 MATING TAB THK IS .032±.001.
- 3 WIRE SIZE IS #18-#12 AWG
- 4 INSULATION RANGE IS .110-.210 DIA.



61156-1
PART NO.

THIS DRAWING IS A CONTROLLED DOCUMENT.		DWN	JR RUTH	18OCT02	 TE Connectivity	NAME			RESTRICTED TO			
DIMENSIONS: INCHES		CHK	P DESANTIS	18OCT02		RECEPTACLE, FLAG, FASTON, .250 SERIES						
TOLERANCES UNLESS OTHERWISE SPECIFIED:		APVD	P DESANTIS	18OCT02		SIZE	CAGE CODE	DRAWING NO				
0 PLC ± - 1 PLC ± - 2 PLC ± - 3 PLC ± .015 4 PLC ± - ANGLES ± -		PRODUCT SPEC	A3 00779 C-61156									
MATERIAL: BRASS		FINISH	SILVER			WEIGHT	-					
CUSTOMER DRAWING					SCALE	4:1		SHEET	1 OF 1		REV	E

单击下面可查看定价，库存，交付和生命周期等信息

[>>TE Connectivity\(泰科\)](#)