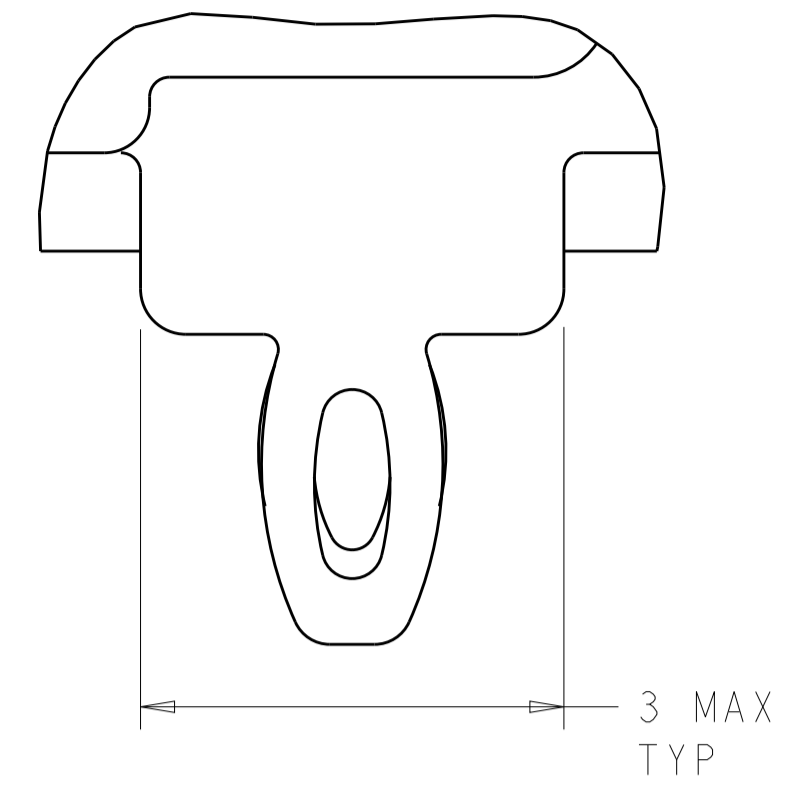


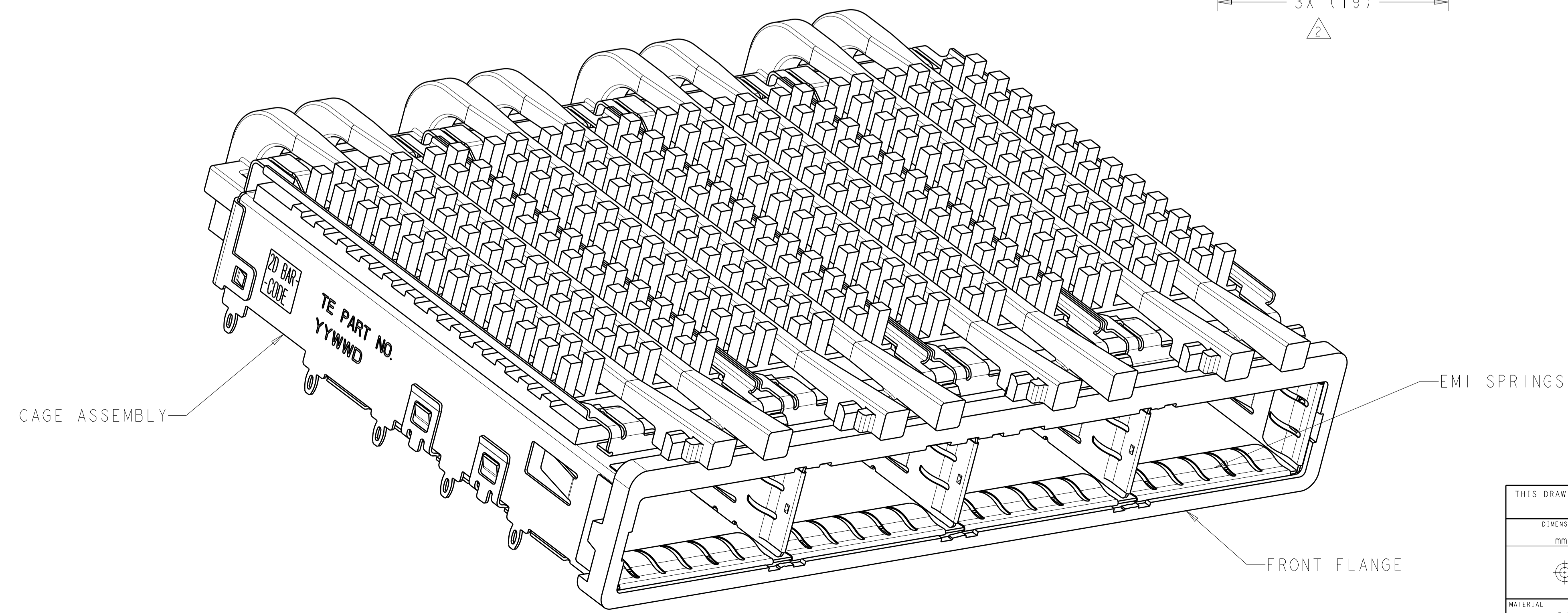
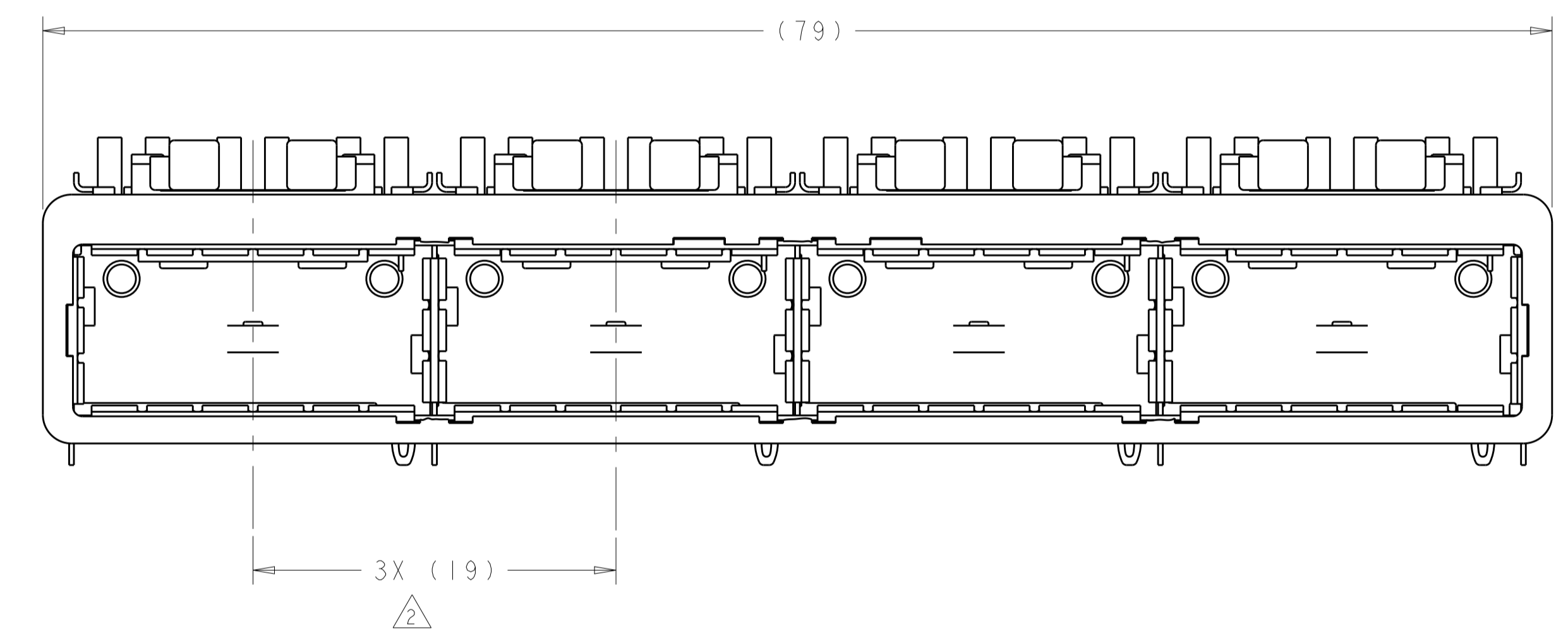
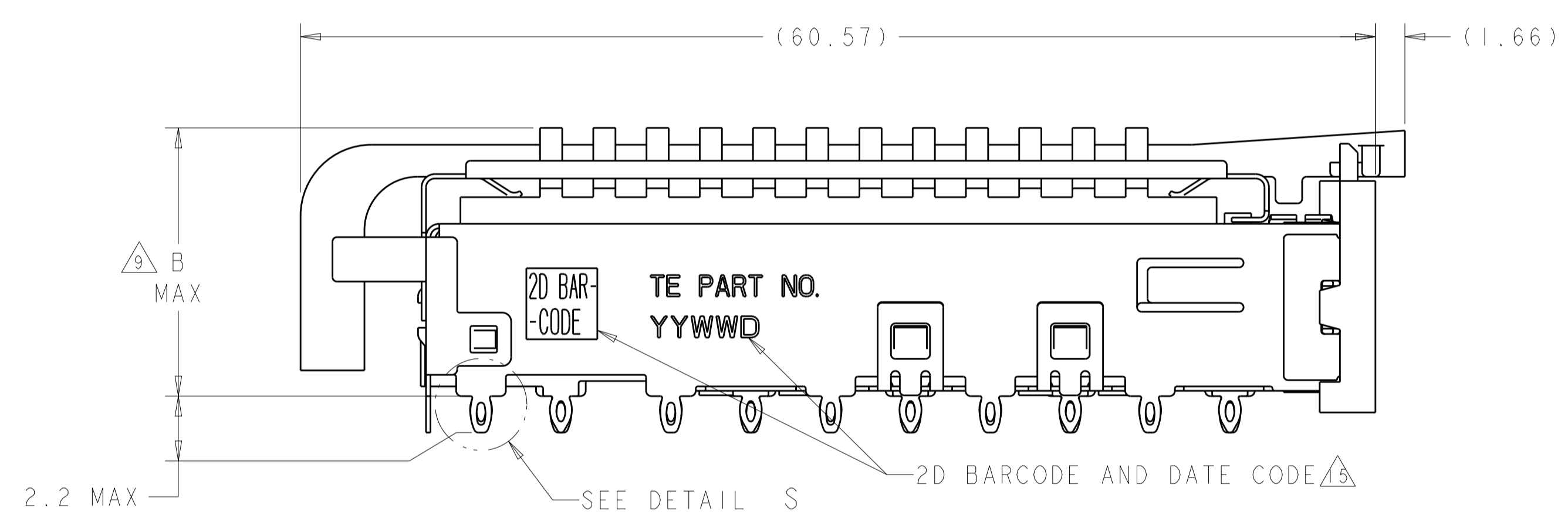
LOC	DIST	REVISIONS			
P	LTN	DESCRIPTION	DATE	DMN	APVD
D		REVISED PER ECO-12-003841	14MAR2012	TY	KS
E		REVISED PER ECO-12-005533	31MAR2012	JY	AC
F		REVISED PER ECO-14-017735	30EC2014	RG	MC



DETAIL S
 SCALE 20:1

- △ CAGE ASSEMBLY MATERIAL: NICKEL SILVER, 0.25 THICK
- HEAT SINK MATERIAL: ALUMINUM
- HEAT SINK CLIP MATERIAL: STAINLESS STEEL
- EMI SPRING MATERIAL: COPPER ALLOY
- FRONT FLANGE MATERIAL: ZINC ALLOY
- LIGHT PIPE MATERIAL: CLEAR POLYCARBONATE
- △ PITCH BETWEEN PORTS OF ONE 1X4 CAGE ASSEMBLY.
- △ SPACING BETWEEN CAGES ON THE SAME PC BOARD, TO BE SPECIFIED BY CUSTOMER, MUST COMPLY WITH MINIMUM DIMENSIONS SHOWN.
- △ REFERENCE APPLICATION SPEC 114-13218 FOR RECOMMENDED DRILL HOLE DIAMETER AND PLATING THICKNESS.
- △ DATUMS AND BASIC DIMENSIONS ESTABLISHED BY CUSTOMER.
- △ DIMENSION C IS THE NOMINAL THICKNESS OF CUSTOMER SUPPLIED PC BOARD, SINGLE SIDED PC BOARD MINIMUM THICKNESS = 1.45mm, DOUBLE SIDED PC BOARD MINIMUM THICKNESS = 2.2mm PER QSFP.
- △ HEAT SINKS, LIGHT PIPES, AND CLIP SHIPPED ASSEMBLED TO CAGE ASSEMBLY. CAGE ASSEMBLY MAY BE PRESSED INTO THE PCB AS SHIPPED.
- △ DATUM **-A-** IS TOP SURFACE OF PC BOARD.
- △ DIMENSION APPLIES WITH MODULE INSERTED IN CAGE.
- △ UNPLATED THRU HOLE.
- △ MAXIMUM HEIGHT OF LED OFF BOARD: 0.9mm.
- 12. MATES WITH QSFP MSA COMPATIBLE TRANSCEIVER.
- △ SURFACE TRACES PERMITTED WITHIN THIS AREA EXCEPT WHERE CAGE STANDOFFS, SHOWN IN DETAIL S, CONTACT PC BOARD.
- △ BASELINE FOR THESE DIMENSIONS IS THE CENTER OF COMPLIANT PIN HOLE.

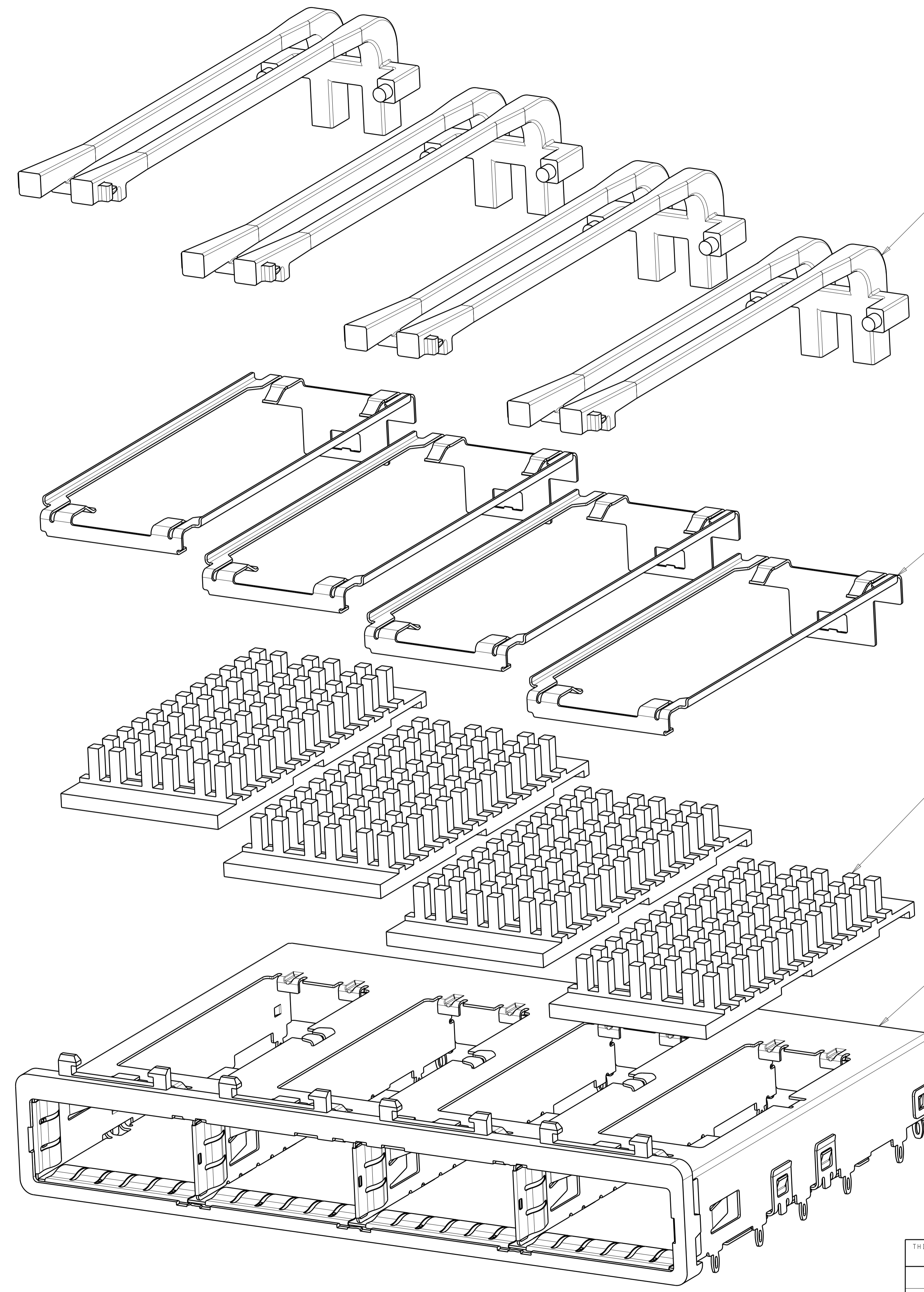
- △ 2D BARCODE AND DATE CODE (YYWW) MARKED ON SIDE OF CAGE ASSEMBLY.
- △ REFERENCE APP SPEC 114-13218 FOR GASKET THICKNESS CALCULATION.
- △ EMI SPRING FINISH: 2µm MINIMUM TIN
- FRONT FLANGE FINISH: 3µm MINIMUM TIN OVER 1.27µm MINIMUM NICKEL OVER 5.08µm MINIMUM COPPER
- HEAT SINK FINISH: NICKEL.
- △ HEAT SINKS AND CLIPS SHIPPED ASSEMBLED TO CAGE ASSEMBLY. CAGE ASSEMBLY MAY BE PRESSED INTO THE PCB AS SHIPPED. LIGHT PIPES, SHIPPED UNATTACHED, MUST BE ASSEMBLED BY CUSTOMER AFTER THE CAGE IS SEATED IN THE PCB.



△ 18	13.7	PCI	2007626-3
△ 7	23.0	NETWORKING	2007626-2
△ 7	16.0	SAN	2007626-1
B		HEAT SINK PROFILE	PART NUMBER

THIS DRAWING IS A CONTROLLED DOCUMENT.		DMN C. VALENTINI 28FEB2008	NAME 1X4 CAGE ASSEMBLY, BEHIND BEZEL, W/ SQUARE LIGHT PIPES AND HEAT SINKS, QSFP
DIMENSIONS:		CHK E. BRIGHT 28FEB2008	RESTRICTED TO
mm	0 PLC ±0.1	APVD F. BRIGHT 28FEB2008	SIZE A1
	1 PLC ±0.1	PRODUCT SPEC 108-2286	SCALE 1:1
	2 PLC ±0.1	APPLICATION SPEC	SHEET 1 OF 5
	3 PLC ±0.1	WEIGHT	REV F
	4 PLC ±0.1	CUSTOMER DRAWING	
MATERIAL	FINISH		

LOC	DIST	REVISIONS					
GP	00	P.	LYR	DESCRIPTION	DATE	DWN	APVD
-	-	-	-	SEE SHEET 1	-	-	-



SQUARE DOUBLE LIGHT PIPES $\triangle/\triangle/8$
 QUANTITY: 4

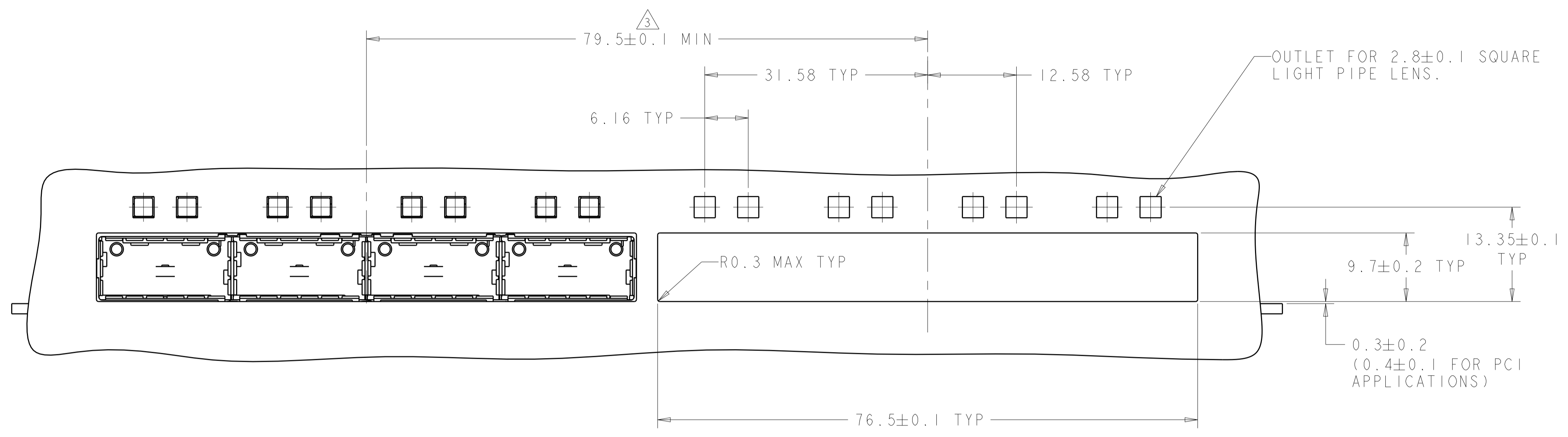
HEAT SINK CLIPS $\triangle/\triangle/8$
 QUANTITY: 4

72 PIN HEAT SINKS $\triangle/\triangle/8$
 QUANTITY: 4

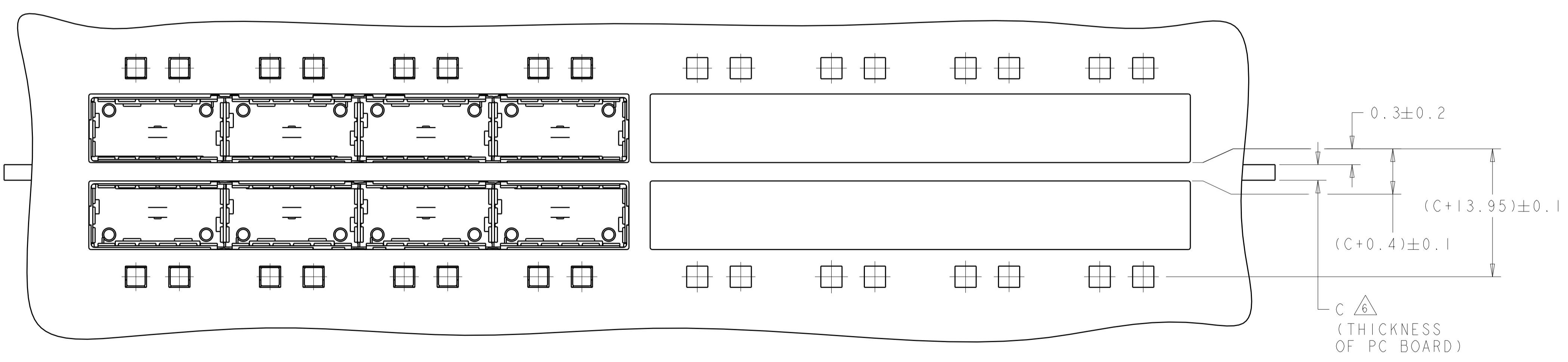
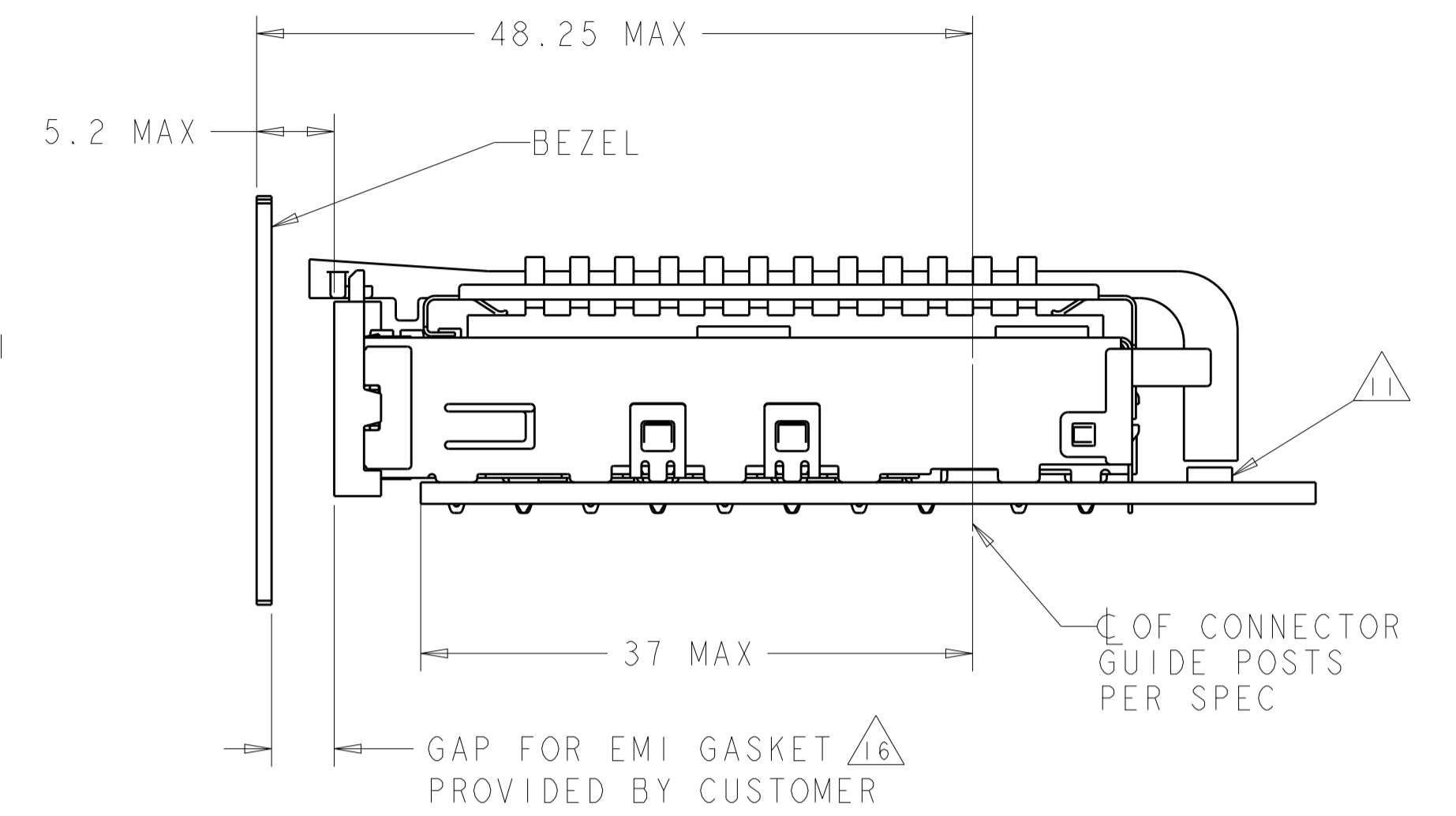
1X4 BEHIND BEZEL QSFP
 CAGE ASSEMBLY
 QUANTITY: 1

THIS DRAWING IS A CONTROLLED DOCUMENT.		DWN C. VALENTIN 28FEB2008	TE Connectivity
DIMENSIONS: mm		CHK E. BRIGHT 28FEB2008	
		APVD E. BRIGHT 28FEB2008	NAME 1X4 CAGE ASSEMBLY, BEHIND BEZEL, W/ SQUARE LIGHT PIPES AND HEAT SINKS, QSFP
TOLERANCES UNLESS OTHERWISE SPECIFIED:		PRODUCT SPEC 108-2286	SIZE A100779
0 PLC ± 1 PLC ±0.1 2 PLC ±0.1 3 PLC ± 4 PLC ± ANGLES ± FINISH ±		APPLICATION SPEC	RESTRICTED TO
MATERIAL		WEIGHT	SCALE 1:1 SHEET 2 OF 5 REV F
CUSTOMER DRAWING		DRAWING NO C=2007626	

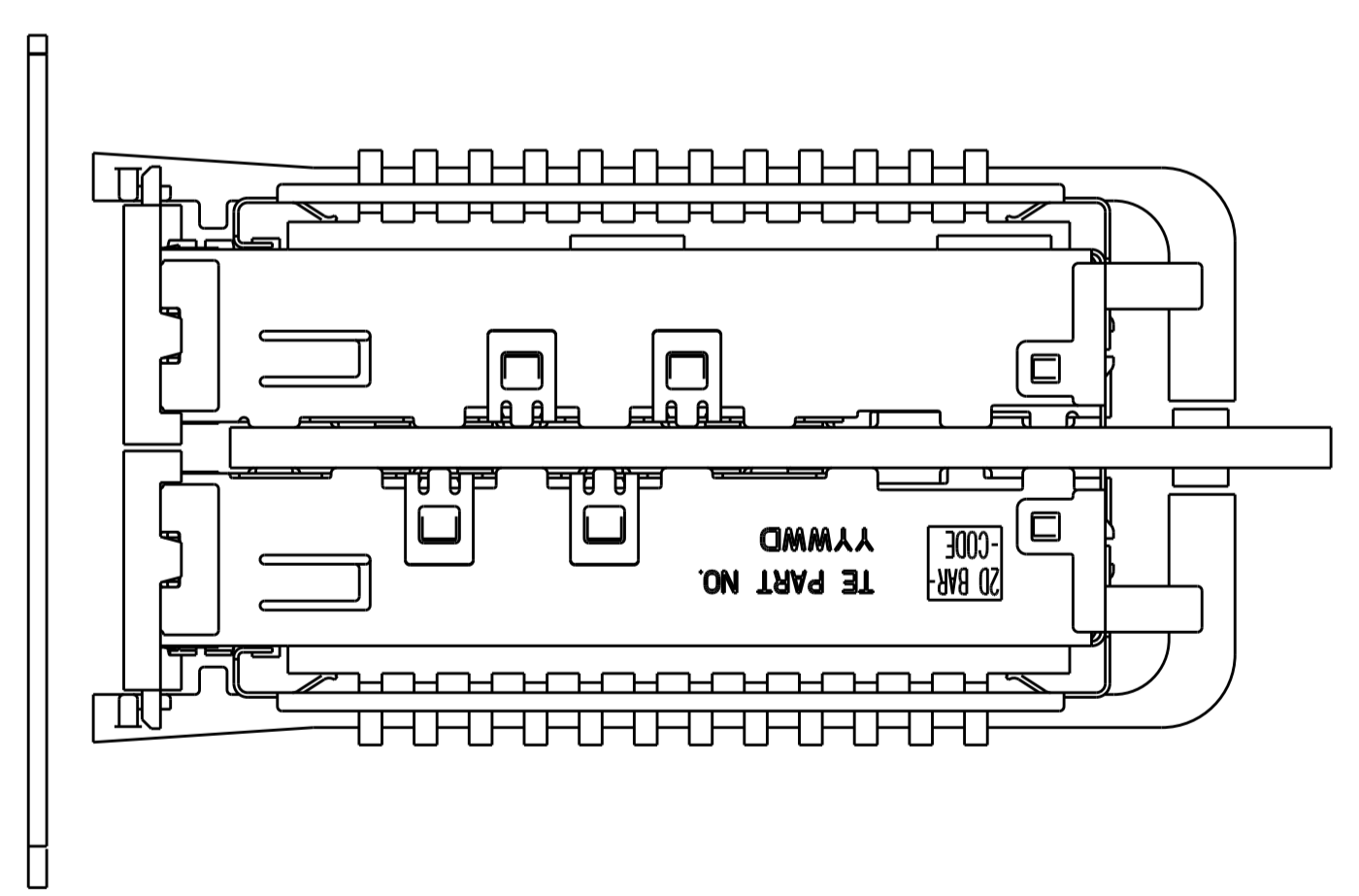
LOC	DIST	REV	DATE	BY	APPD
GP	00				
REVISIONS					



ONE SIDED CONFIGURATION
 SCALE 5:2

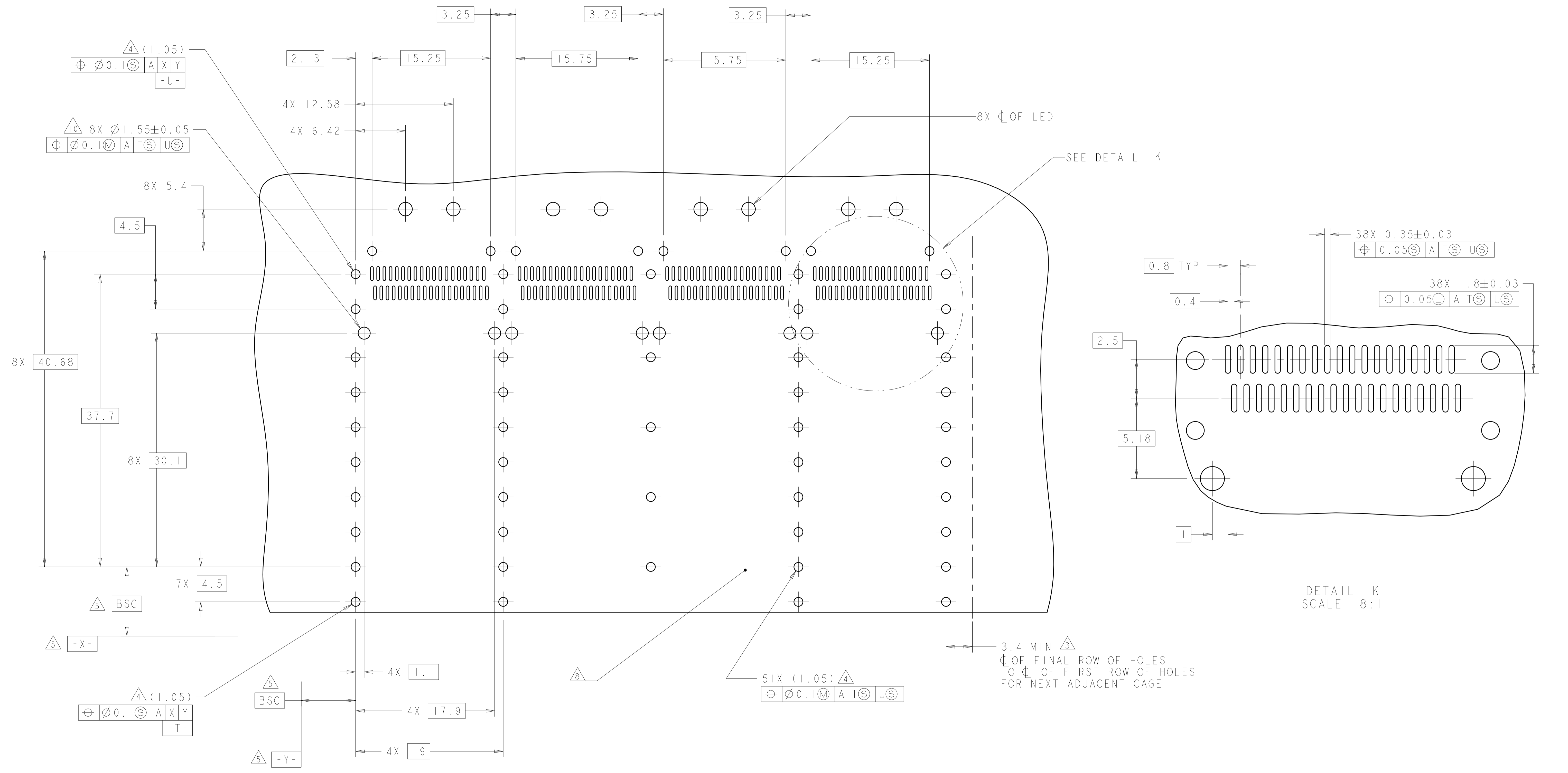


BELLY TO BELLY CONFIGURATION
 SIMILAR TO ONE SIDED
 EXCEPT WHERE NOTED
 SCALE 5:2



THIS DRAWING IS A CONTROLLED DOCUMENT.		OWN C. VALENTINI 28FEB2008	
DIMENSIONS:		CHK E. BRIGHT 28FEB2008	
mm	TOLERANCES UNLESS OTHERWISE SPECIFIED:	APVD E. BRIGHT 28FEB2008	NAME 1X4 CAGE ASSEMBLY, BEHIND BEZEL, W/ SQUARE LIGHT PIPES AND HEAT SINKS, QSFP
0 PLC ±	1 PLC ±0.1	PRODUCT SPEC	SIZE A100779
2 PLC ±0.1	3 PLC ±	APPLICATION SPEC	CAGE CODE C=2007626
4 PLC ±	ANGLES ±	WEIGHT	RESTRICTED TO
MATERIAL	FINISH	CUSTOMER DRAWING	SCALE 4:1 SHEET 3 OF 5 REV F

LOC	DIST	REVISIONS					
GP	00	P	LTN	DESCRIPTION	DATE	DMN	APVD
		-		SEE SHEET 1	-	-	-



RECOMMENDED PC BOARD LAYOUT
 BELLY TO BELLY CONFIGURATION
 SEE SHEET 4 FOR COMPONENT AND TRACE KEEPOUTS.
 SCALE 4:1

DETAIL K
 SCALE 8:1

THIS DRAWING IS A CONTROLLED DOCUMENT.		DMN C. VALENTINI 28FEB2008	TE Connectivity
DIMENSIONS:		CHK E. BRIGHT 28FEB2008	
mm		APVD E. BRIGHT 28FEB2008	
0 PLC ± 2 PLC ±0.1 3 PLC ±0.1 4 PLC ± ANGLES ±		NAME 1X4 CAGE ASSEMBLY, BEHIND BEZEL, W/ SQUARE LIGHT PIPES AND HEAT SINKS, QSFP PRODUCT SPEC 108-2286 APPLICATION SPEC	
MATERIAL	FINISH	WEIGHT	SIZE CAGE CODE DRAWING NO. RESTRICTED TO A100779C=2007626
		CUSTOMER DRAWING	SCALE 4:1 SHEET 5 OF 5 REV F

单击下面可查看定价，库存，交付和生命周期等信息

[>>TE Connectivity\(泰科\)](#)