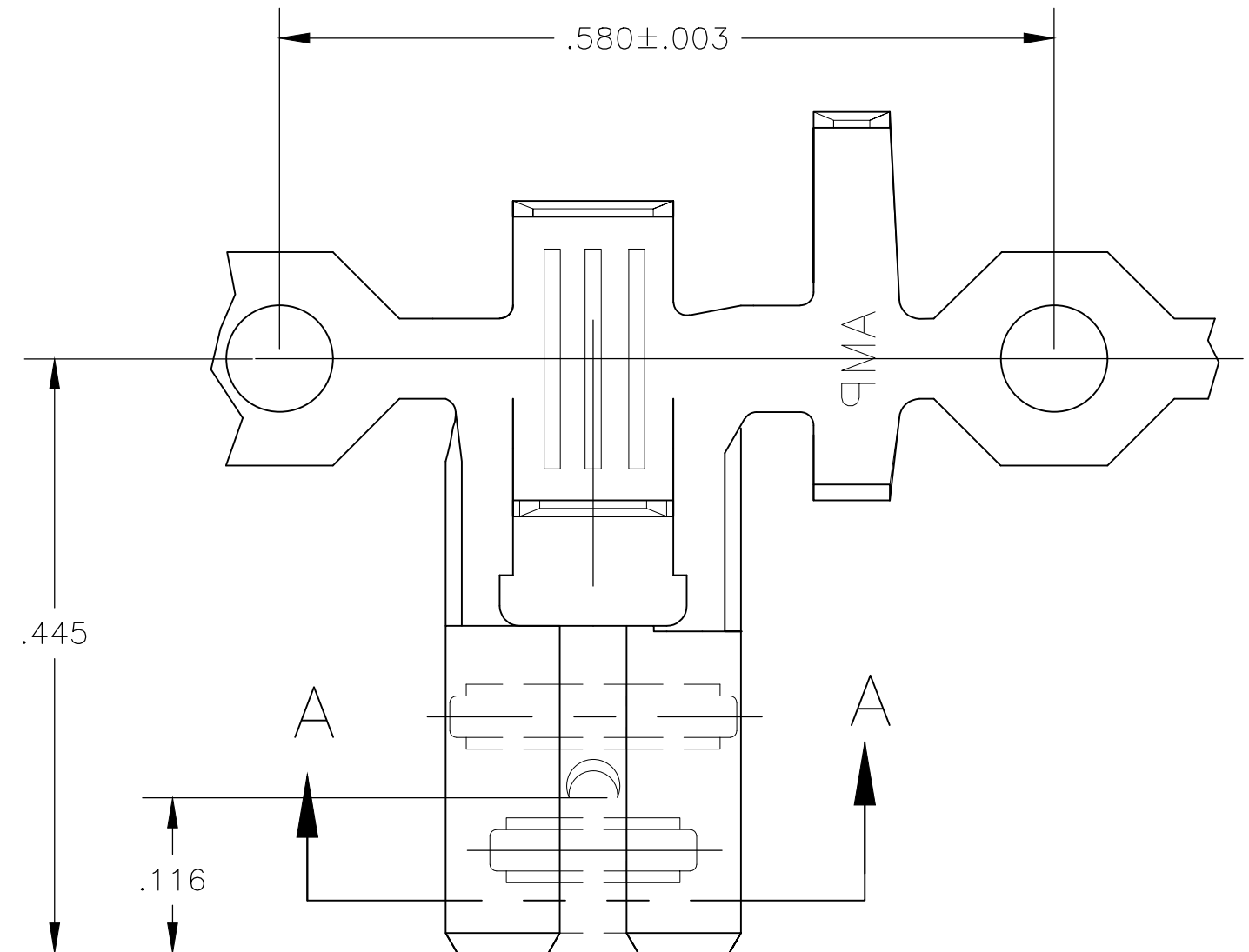
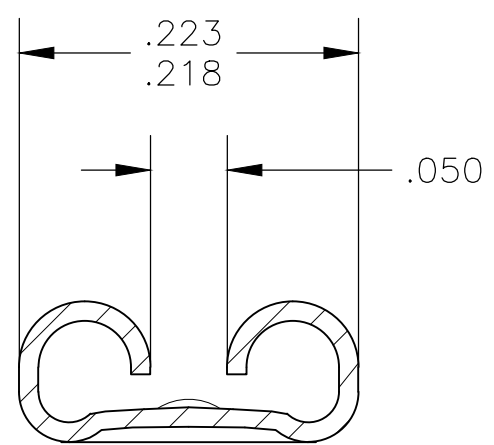


THIS DRAWING IS UNPUBLISHED. RELEASED FOR PUBLICATION  
 © COPYRIGHT BY TYCO ELECTRONICS CORPORATION. ALL RIGHTS RESERVED.

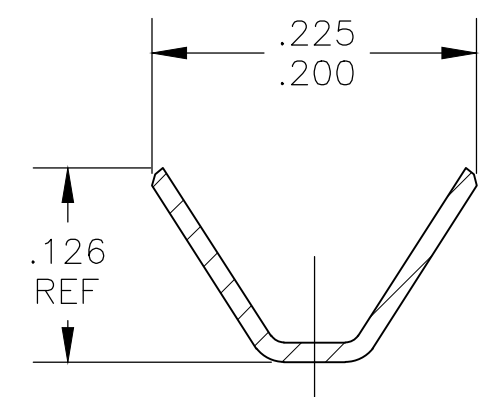
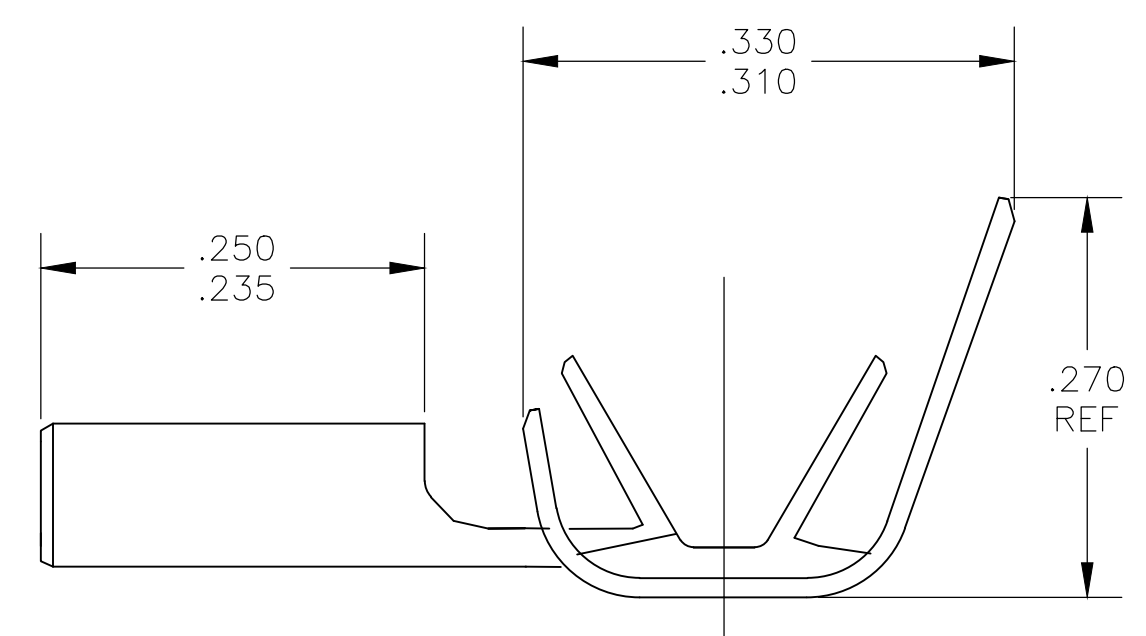
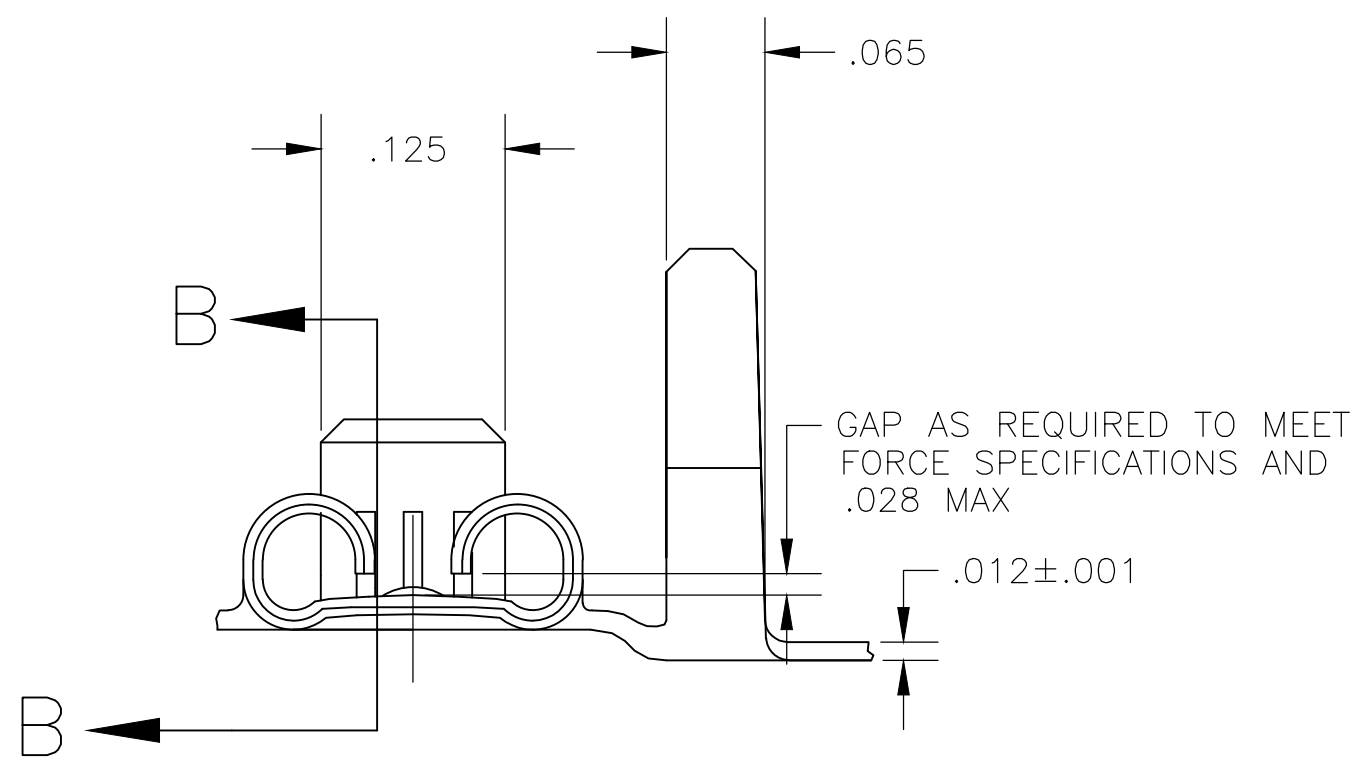
LOC	DIST	REVISIONS			
P	LTR	DESCRIPTION	DATE	DWN	APVD
AF	50	H1	REVISED PER ECR-20-009164	23JUL2020	MK DH



- 1 CONTINUOUS STRIP ON REELS
- 2 MATING TAB THK IS .033-.030
- 3 WIRE SIZE IS FOR ONE OR TWO #18'S AWG
- 4 INSULATION RANGE IS .110-.150 OR TWO AT .110 MAX.



SECTION A-A



SECTION B-B

1742049-1  
 PART NO

THIS DRAWING IS A CONTROLLED DOCUMENT.		DWN	JR_RUTH	14JAN2004	 TE Connectivity	
DIMENSIONS: INCHES		CHK	P_DESANTIS	14JAN04		
TOLERANCES UNLESS OTHERWISE SPECIFIED:		APVD	P_DESANTIS	14JAN04		
0 PLC ± - 1 PLC ± - 2 PLC ± - 3 PLC ± .010 4 PLC ± - ANGLES ± -		PRODUCT SPEC	NAME			
MATERIAL: 082 CR STEEL		FINISH	.000150 MIN NICKEL		RECEPTACLE, FASTON, FLAG, .187 SERIES	
WEIGHT		-		SIZE	A2	
CUSTOMER DRAWING		SCALE	8:1		CAGE CODE	00779
DRAWING NO		C=1742049		DRAWING NO	1742049-1	
SHEET		1 OF 1		RESTRICTED TO	-	
REV		H1				

单击下面可查看定价，库存，交付和生命周期等信息

[>>TE Connectivity\(泰科\)](#)