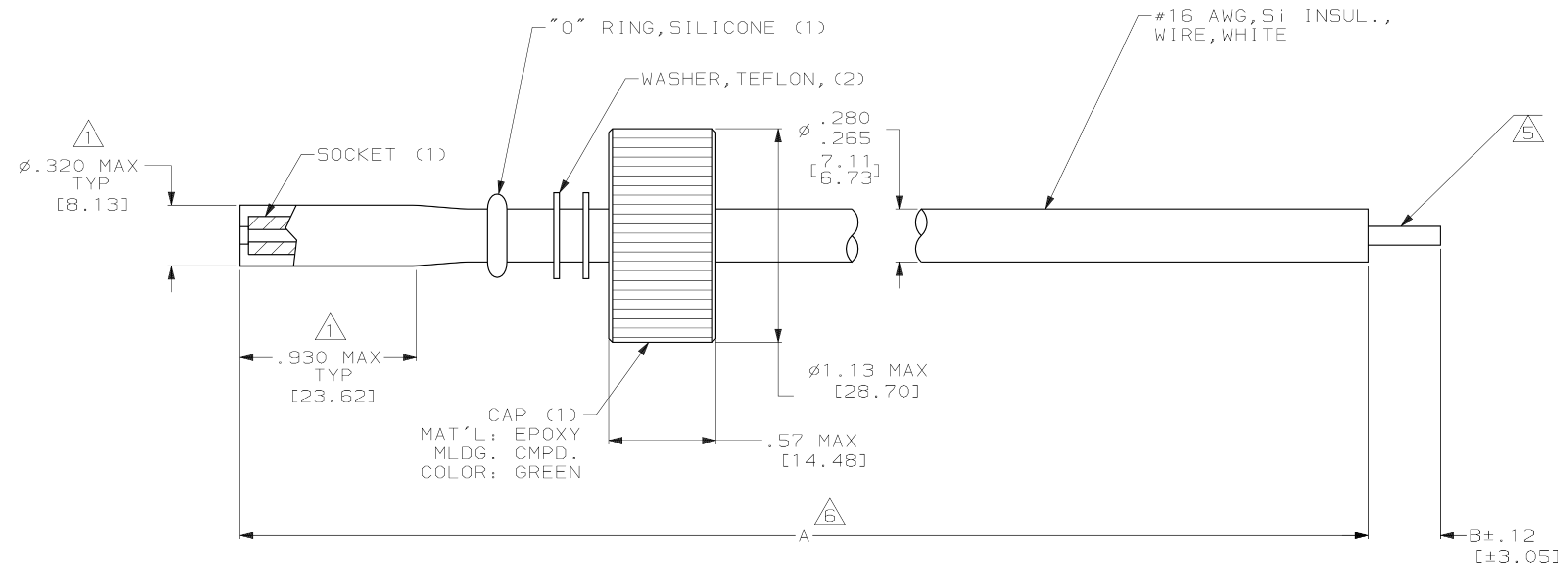


PROJ		LOC	DIST	P		F		ZONE		LTR		REVISIONS	
4089	DF	SO											
DESCRIPTION												DATE	APPD
REV PER 0600-5828-96												CT	SG
												10-96	

PART NO.	A	B	
833779-1	6.00 [152.4]	.38 [9.7]	OBSOLETE
833779-2	12.00 [304.8]	.38 [9.7]	
833779-3	18.00 [457.2]	.38 [9.7]	
833779-4	24.00 [609.6]	.38 [9.7]	OBSOLETE
833779-5	30.00 [762.0]	.38 [9.7]	OBSOLETE
833779-6	7.00 [177.8]	.38 [9.7]	OBSOLETE
833779-7	9.25 [234.9]	.38 [9.7]	OBSOLETE
833779-8	60.00 [1524.0]	-	
833779-9	120.00 [3048.0]	.38 [9.7]	OBSOLETE
1-833779-0	36.00 [914.4]	.38 [9.7]	
1-833779-1	240.00 [6096.0]	.38 [9.7]	OBSOLETE
1-833779-2	18.00 [457.2]	.38 [9.7]	OBSOLETE
1-833779-3	60.00 [1524.0]	.38 [9.7]	OBSOLETE
1-833779-4	16.00 [406.4]	.38 [9.7]	OBSOLETE
1-833779-5	72.00 [1828.8]	.38 [9.7]	OBSOLETE
1-833779-6	2.88 [73.2]	.38 [9.7]	OBSOLETE
1-833779-7	96.00 [2438.4]	-	OBSOLETE
1-833779-8	10.00 [254.0]	.38 [9.7]	
1-833779-9	4.00 [101.6]	-	OBSOLETE
2-833779-0	84.00 [2133.6]	.38 [9.7]	
2-833779-1	28.00 [711.2]	.38 [9.7]	OBSOLETE
2-833779-2	48.00 [1219.2]	.38 [9.7]	
2-833779-3	21.00 [533.4]	.38 [9.7]	OBSOLETE
2-833779-4	7.00 [177.8]	-	OBSOLETE
2-833779-5	9.00 [228.6]	-	OBSOLETE
2-833779-6	48.00 [1219.2]	-	OBSOLETE
2-833779-7	120.00 [3048.0]	-	OBSOLETE
2-833779-8	3.00 [76.2]	-	OBSOLETE
2-833779-9	94.00 [2387.6]	-	OBSOLETE
3-833779-0	22.00 [558.8]	-	
3-833779-1	144.00 [3657.6]	.38 [9.7]	OBSOLETE
3-833779-2	30.00 [762.0]	.38 [9.7]	OBSOLETE
3-833779-3	20.00 [508.0]	-	
3-833779-4	40.00 [1016.0]	.38 [9.7]	OBSOLETE
3-833779-5	8.00 [203.2]	.38 [9.7]	
3-833779-6	36.00 [914.4]	-	OBSOLETE
3-833779-7	15.00 [381.0]	-	
3-833779-8	45.00 [1143.0]	-	OBSOLETE
3-833779-9	132.00 [3352.8]	-	OBSOLETE
4-833779-0	50.00 [1270.0]	.38 [9.7]	OBSOLETE
4-833779-1	70.00 [1778.0]	.38 [9.7]	OBSOLETE
4-833779-2	600.00 [15240.0]	.38 [9.7]	OBSOLETE
4-833779-3	300.00 [7620.0]	-	OBSOLETE
4-833779-4	25.00 [635.0]	.38 [9.7]	OBSOLETE
4-833779-5	13.50 [342.9]	-	OBSOLETE
4-833779-6	15.00 [381.0]	.38 [9.7]	OBSOLETE
4-833779-7	24.00 [609.6]	.38 [9.7]	OBSOLETE
4-833779-8	45.00 [1143.0]	.38 [9.7]	
4-833779-9	5.00 [127.0]	.38 [9.7]	OBSOLETE
5-833779-0	32.00 [812.8]	.38 [9.7]	OBSOLETE

PART NO.	A	B	
5-833779-1	65.00 [1651.0]	-	OBSOLETE
5-833779-2	900.00 [22860.0]	.38 [9.7]	OBSOLETE
5-833779-3	10.00 [254.0]	-	OBSOLETE
5-833779-4	12.00 [304.8]	-	OBSOLETE
5-833779-5	96.00 [2438.4]	.38 [9.7]	OBSOLETE
5-833779-6	97.00 [2463.8]	.38 [9.7]	OBSOLETE
5-833779-7	98.00 [2489.2]	.38 [9.7]	OBSOLETE
5-833779-8	15.75 [400.0]	-	OBSOLETE
5-833779-9	8.50 [215.9]	.50 [12.7]	OBSOLETE
6-833779-0	9.50 [241.3]	.50 [12.7]	OBSOLETE
6-833779-1	13.00 [330.2]	.50 [12.7]	
6-833779-2	14.00 [355.6]	.50 [12.7]	OBSOLETE
6-833779-3	38.00 [965.2]	.38 [9.7]	OBSOLETE
6-833779-4	18.50 [469.9]	.25 [6.3]	OBSOLETE
6-833779-5	19.00 [482.6]	.38 [9.7]	
6-833779-6	13.00 [330.2]	.38 [9.7]	OBSOLETE
6-833779-7	320.00 [8128.0]	.38 [9.7]	OBSOLETE
6-833779-8	51.00 [1295.4]	-	
6-833779-9	39.38 [1000.3]	-	
7-833779-0	51.25 [1301.7]	-	
7-833779-1	16.75 [425.4]	.50 [12.7]	OBSOLETE
7-833779-2	29.50 [749.3]	.50 [12.7]	OBSOLETE
7-833779-3	158.00 [4013.2]	-	

- 1. .320 MAX DIMENSION HELD OVER THE .930 MAX AREA ONLY.
- 2. MARKED PER MIL-STD-130.
- 3. DIMENSIONS IN BRACKETS ARE IN MILLIMETERS. METRIC EQUIVALENTS ARE BASED UPON 1.00 INCH = 25.4 mm.
- 4. LEADS WILL MATE WITH AMP LGH-3 RECEPTACLES.
- 5. WHERE APPLICABLE "B" STRIP LENGTH IS SOLDER DIPPED.
- 6. TOLERANCE OF LEAD LENGTH:
 UP TO 24 INCHES [609.6] = ±.12 [+3.1]
 24 INCHES [609.6] & UP = 1%



DO NOT SCALE PRINT. UNLESS SPECIFIED DIMENSIONS IN INCHES [mm]		DR 9-15-89 C.C. THOMAS		AMP INCORPORATED Harrisburg, Pa. 17105	
TOLERANCES UNLESS SPECIFIED:		CHK 1-17-90 S. GLATFELTER			
2 PLC DEC ± -		APPD 1-17-90 S. GLATFELTER		NAME	
3 PLC DEC ± -		RLSE 1-17-90 C. THOMAS		LEAD ASS'Y, LGH-3, SINGLE END	
ANGLES ± -		PRODUCT SPEC -		DRAWING NO 833779	
MATERIAL		APPLICATION SPEC -		SIZE D	CAGE CODE 00779
SEE CALLOUTS		WEIGHT -		SCALE 2:1	SHEET 1 OF 1

单击下面可查看定价，库存，交付和生命周期等信息

[>>TE Connectivity\(泰科\)](#)