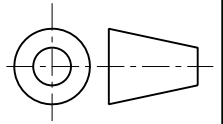


CAD-Original
nicht ändern

DRAWING VALID FROM:
Zeichnung gültig ab: — —

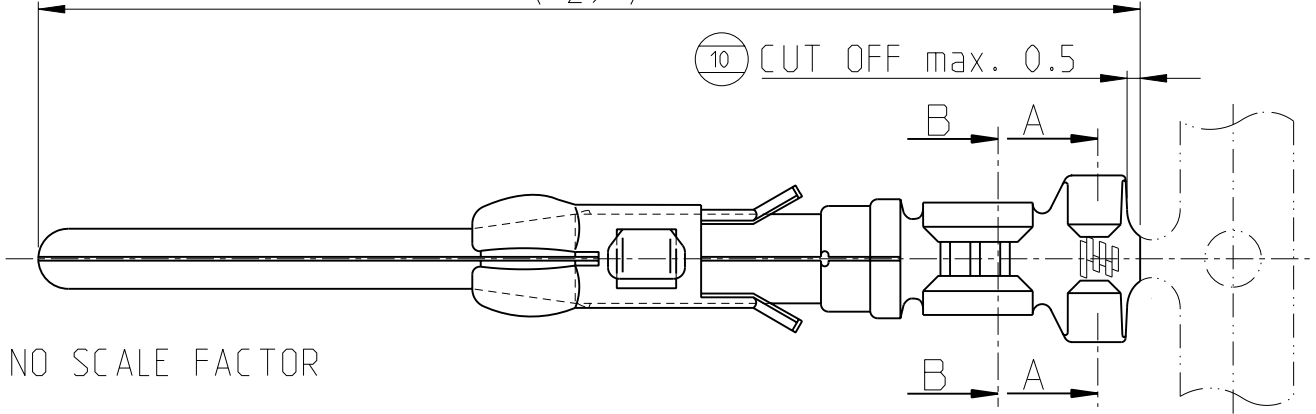
METRIC



EUROPEAN PROJECTION

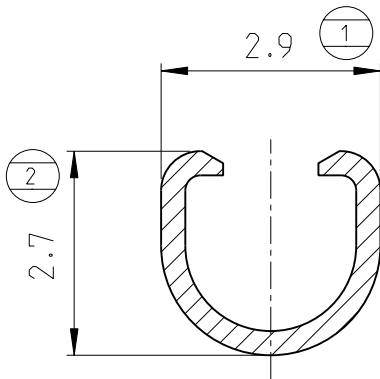
USE HANDTOOL: CRIMPAC TOOL II PN 0-825582-0

(29)

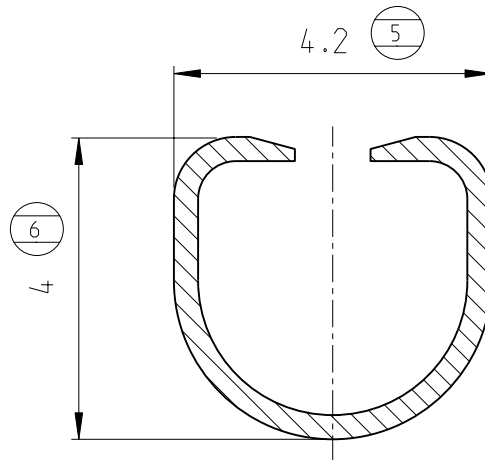


NO SCALE FACTOR

WIRE BARREL
B-B



INSULATION BARREL
A-A



1 CRIMP PRE-FORMED

2 DIMENSIONS FOR STRIP-FORM SEE DRAWING NO. C-926982

0-926982-2		PRE TINNED		CuZn 30		0-926983-2		C	
0-926982-1		PRE TINNED		CuSn 4		0-926983-1		C	
MADE FROM		FINISH		MATERIAL		LP NO		REV	
LOC				WIRE RANGE		TOLERANCES		Tyco Electronics Tyco Electronics Czech s.r.o. CZ- K AMP 1293, 664 34 Kurim	
GT				1-2.5 mm ²		±0.2			
DIST						NAME		K	
-		C2 SEE ECN SEE ECR-10-017608 Pavlíček Straka 29SEP2010		INSULATION RANGE		CI 2 PIN (LOOSE PIECE)			
LTR		REVISION RECORD		ECN		DR CHK		DATE	
DR		30JAN2010		APPD		12.10.10			
M. Pavlíček				T. Konečný					
CHK		06FEB2010		REL					
P. Straka									
				Ø2.4-3.7 mm		SCALE		LOC	
						10:1		GT	
						A4		NUMBER	
								926983	
								REV	
								C2	

THIS INFORMATION IS CONFIDENTIAL AND IS DISCLOSED TO YOU ON CONDITION THAT NO FURTHER DISCLOSURE IS MADE BY YOU TO OTHER THAN AMP PERSONNEL WITHOUT WRITTEN AUTHORIZATION FROM AMP DEUTSCHLAND GMBH, LANGEN B.F.F.H.

单击下面可查看定价，库存，交付和生命周期等信息

[>>TE Connectivity\(泰科\)](#)