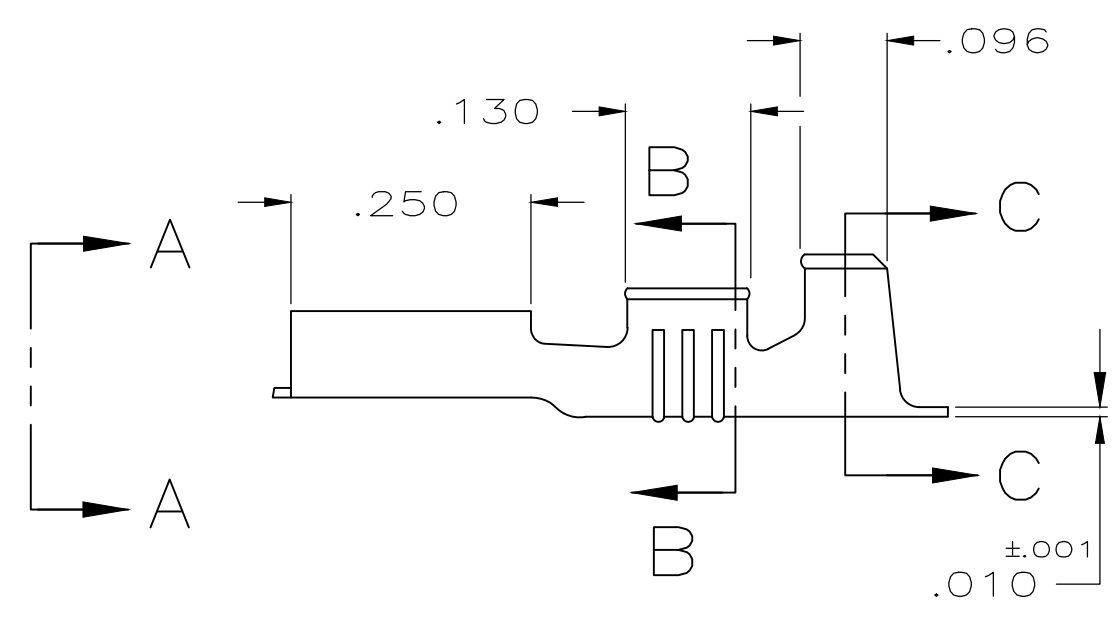
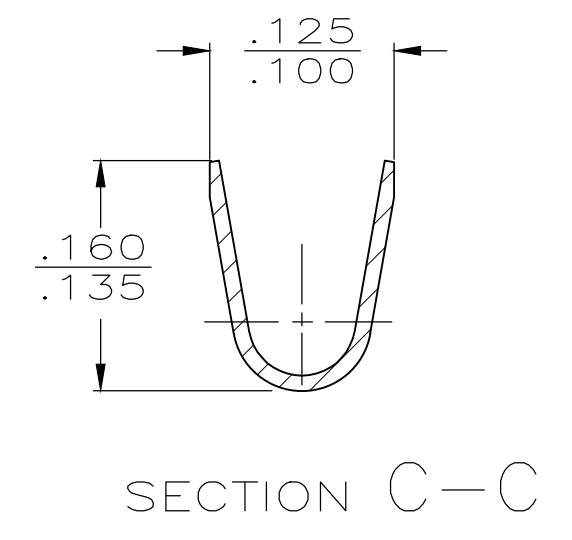
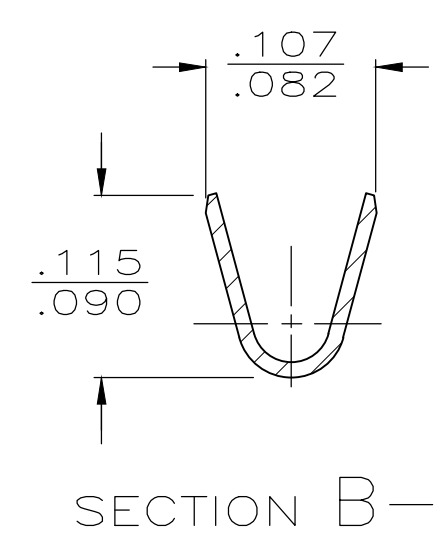
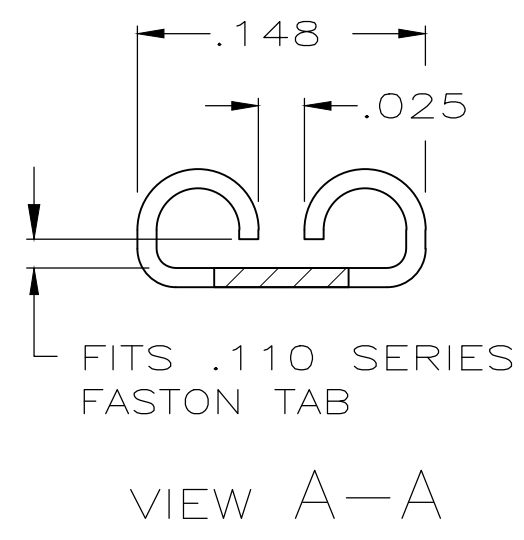
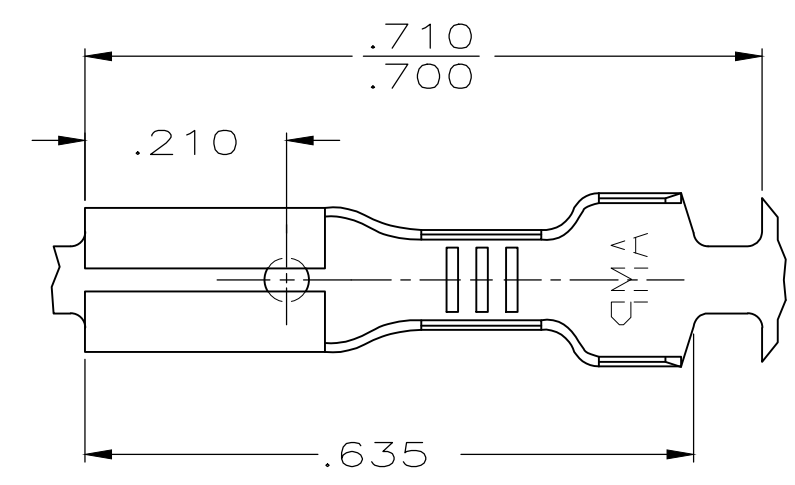


THIS DRAWING IS UNPUBLISHED. RELEASED FOR PUBLICATION  
 © COPYRIGHT - By - ALL RIGHTS RESERVED.

LOC	DIST	REVISIONS			
P	LTR	DESCRIPTION	DATE	DWN	APVD
AF	50	AS2	REVISED PER ECR-19-018151	12NOV2020	AA EW

- 1 CONTINUOUS STRIP ON REELS.
- 2 PART TO BE PUT ON PLASTIC REELS.
- 3 FINISH LEAD-FREE, MATTE TIN OVER NICKEL



OBSOLETE	3	BRASS	.060-.100	22-18	.016	<del>60118-5</del>	
	PRE-TIN	BRASS				60118-4/2	
OBSOLETE		SILVER	.060-.100	22-18	.016	<del>60118-2</del>	
		#4H PHOS BRZ				60118-1	
		PRE-TIN					
		BRASS					
		FINISH	MATERIAL	INSUL RANGE	WIRE SIZE	MATING TAB THK	PART NUMBER

THIS DRAWING IS A CONTROLLED DOCUMENT.		DWN JR RUTH 6/23/87	TE Connectivity RECEPTACLE, FASTON,™ .110 SERIES				
DIMENSIONS: INCHES		CHK G YETTER 6/23/87					NAME
TOLERANCES UNLESS OTHERWISE SPECIFIED:		APVD C MEYERS 6/23/87	PRODUCT SPEC	A300779		C-60118	
0 PLC ± - 1 PLC ± - 2 PLC ± - 3 PLC ± .015 4 PLC ± - ANGLES ± -		APPLICATION SPEC	WEIGHT -		SCALE NTS	SHEET 1 OF 1	REV AS2
MATERIAL SEE TABLE		FINISH SEE TABLE	CUSTOMER DRAWING				

单击下面可查看定价，库存，交付和生命周期等信息

[>>TE Connectivity\(泰科\)](#)