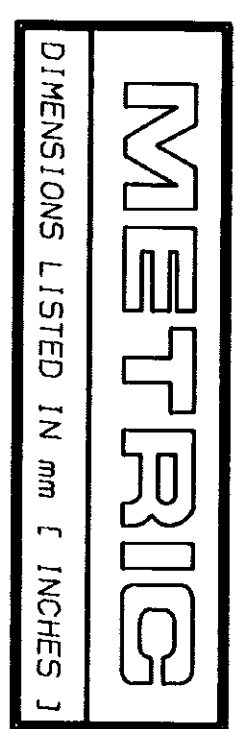
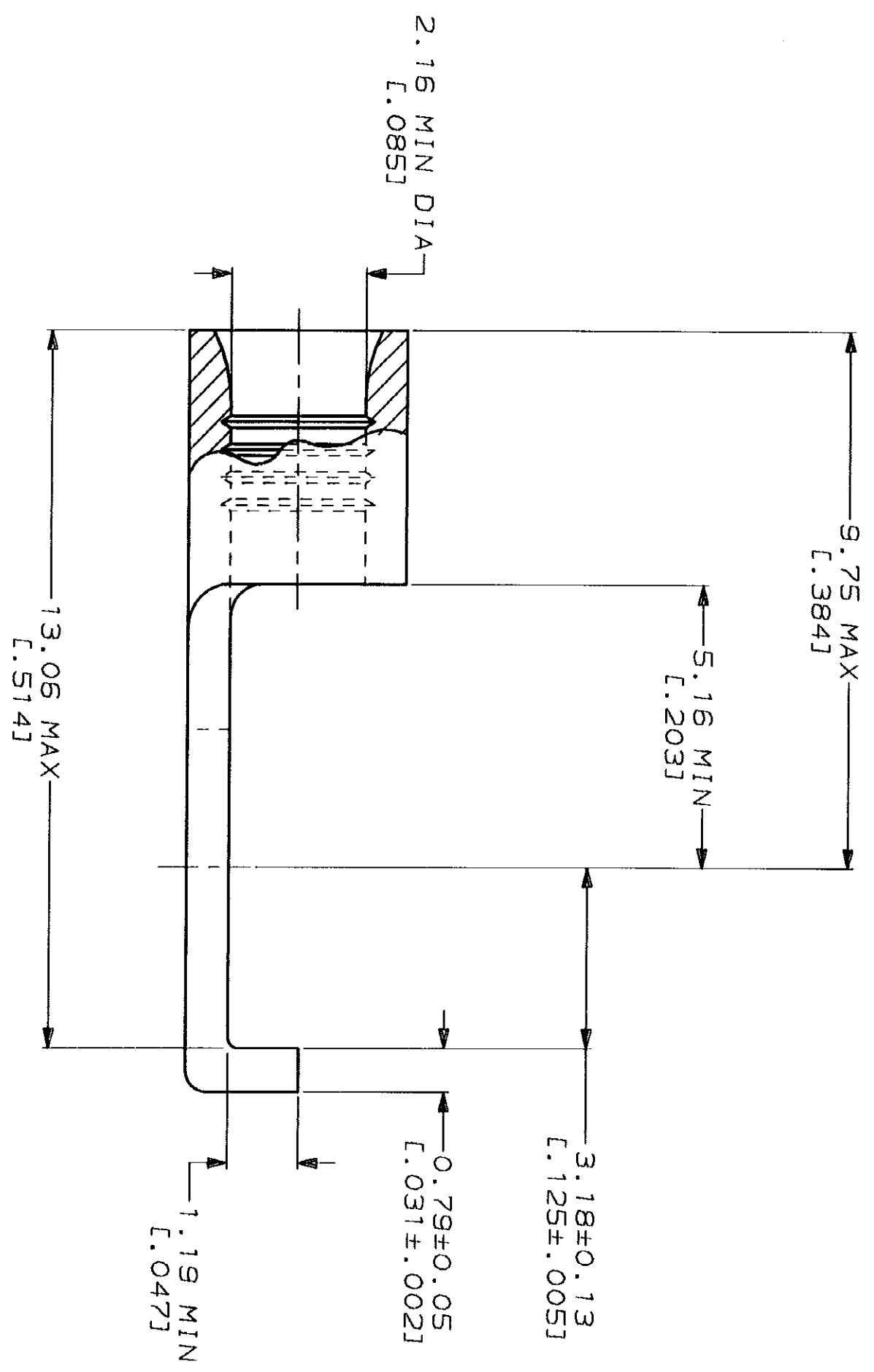
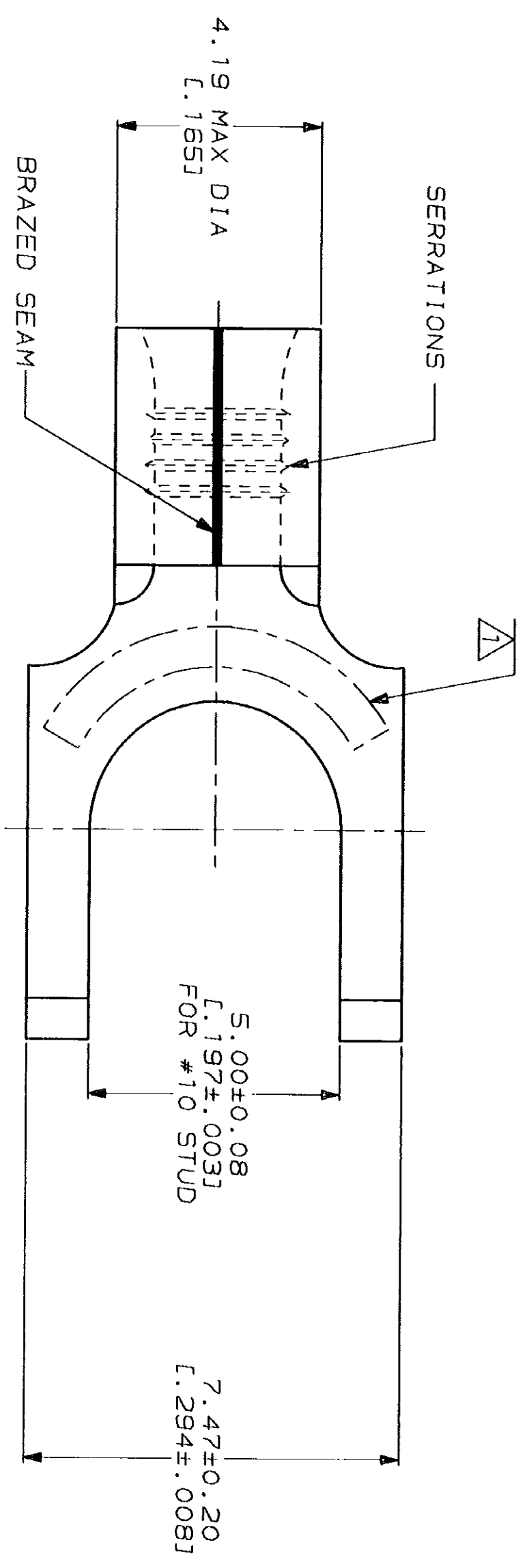


LOC	DIST	REV	ZONE	YR	DESCRIPTION	DATE	APP'D
G	14	P		C	REV, RDRW, & SM PKG PER 0720-0040-93	4-8-93	18 DAP



AMP WIRE RANGE	UL E13288 Listed
16-14 AWG SOLID OR STRANDED	16-14 AWG SOLID OR STRANDED
LR7189 Certified	MILITARY P/N AND CLASS
16-14 AWG SOLID OR STRANDED	NOT APPLICABLE

△ STAMP AMP 16-14* APPROX AS SHOWN



**AMP INCORPORATED
 CUSTOMER SERVICE SYSTEMS**

FOR ADDITIONAL PRODUCT INFORMATION OR COPIES OF DRAWINGS AND TECHNICAL DOCUMENTS	PRODUCT INFORMATION CENTER 1-800-522-6752	MAX RECOMMENDED OPERATING TEMPERATURE: 170°C MAX	DO NOT SCALE PRINT. UNLESS SPECIFIED DIMENSIONS IN INCHES TOLERANCES ON: 2 PLC DEC # - 3 PLC DEC # - ANGLES # -
FOR APPLICATION TOOLING INFORMATION	TOOLING ASSISTANCE CENTER 1-800-722-1111	VOLTAGE RATING: NOT APPLICABLE	MATERIAL COPPER PER ASTM B-152 ANNEALED
FOR ORDER ENTRY	1-800-526-5142	WIRE CROSS SECTIONAL AREA RANGE: SOLID OR STRANDED	FINISH TIN PLATE 0.0025±L.0001001 MIN THK PER MIL-T-10727

QUANTITY	PACKAGING TYPE	PART NO
100	LOOSE PIECE, BOX	8-320857-1
5000	ON TAPE	2-320857-1
---	LOOSE PIECE	320857

AMP AMP Incorporated
 Harrisburg, PA 17105-3608

TERMINAL, FLANGED
 SPADE, SOLISTRAND™

DR 4-8-93 TA BRINKMAN	NAME
CHK 4-8-93 DA PATTERSON	AMP
APPD 4-8-93 DE MILLER	SIZE
APPD 4-8-93 JL MECKLEY	CAGE CODE
PRODUCT SPEC	DRAWING NO
APPLICATION SPEC	SCALE 10:1
WEIGHT	SHEET 1 OF 1

单击下面可查看定价，库存，交付和生命周期等信息

[>>TE Connectivity\(泰科\)](#)