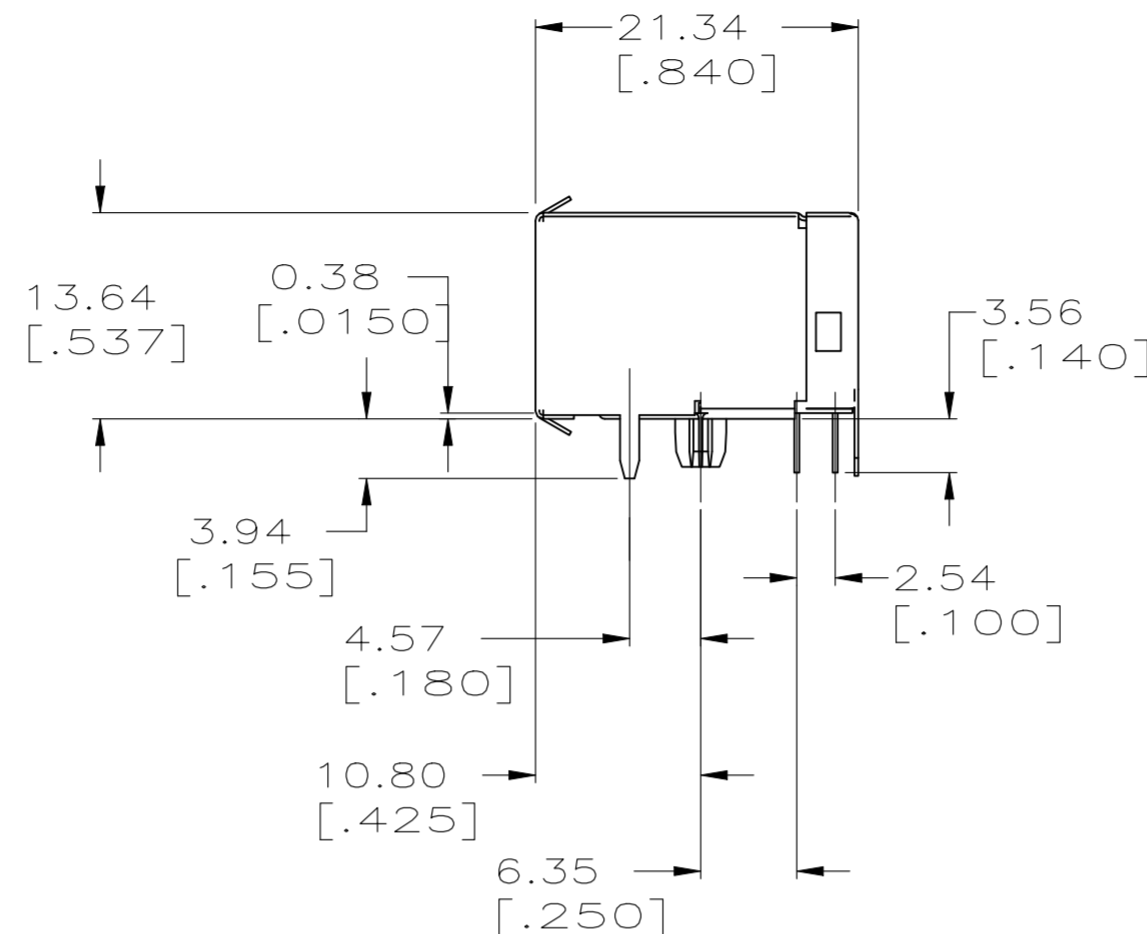
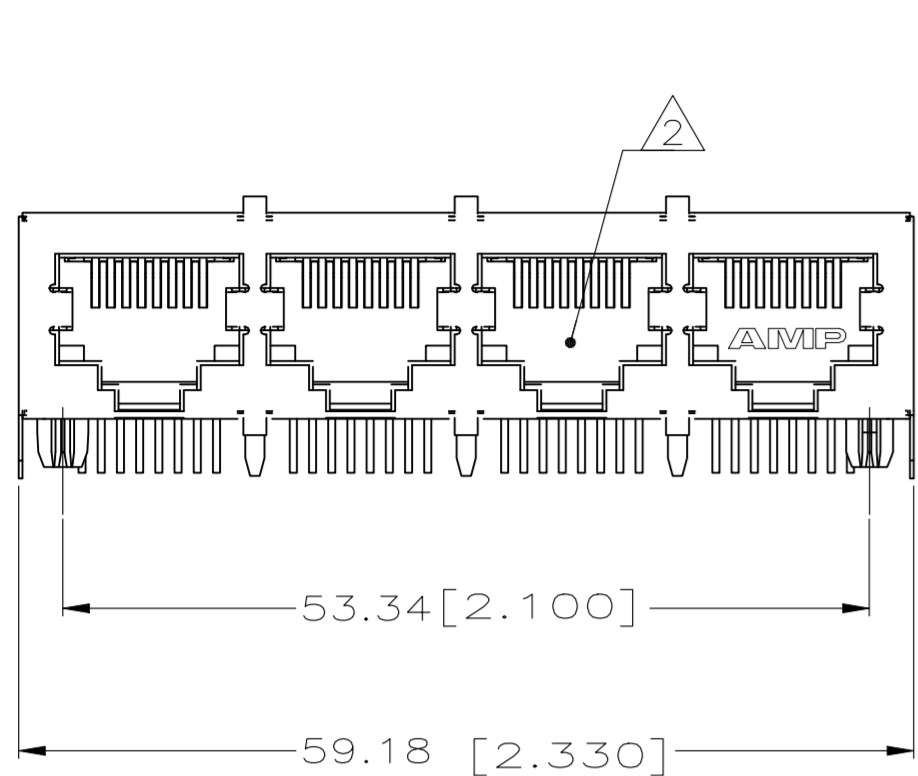


REVISIONS					
P	LTR	DESCRIPTION	DATE	DWN	APVD
B2		ECR-19-014657	13DEC2020	RR	SZ



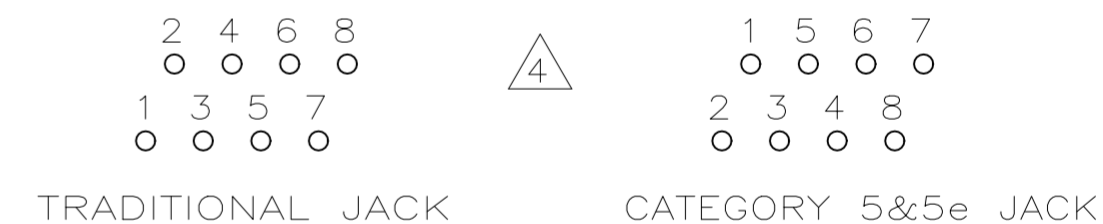
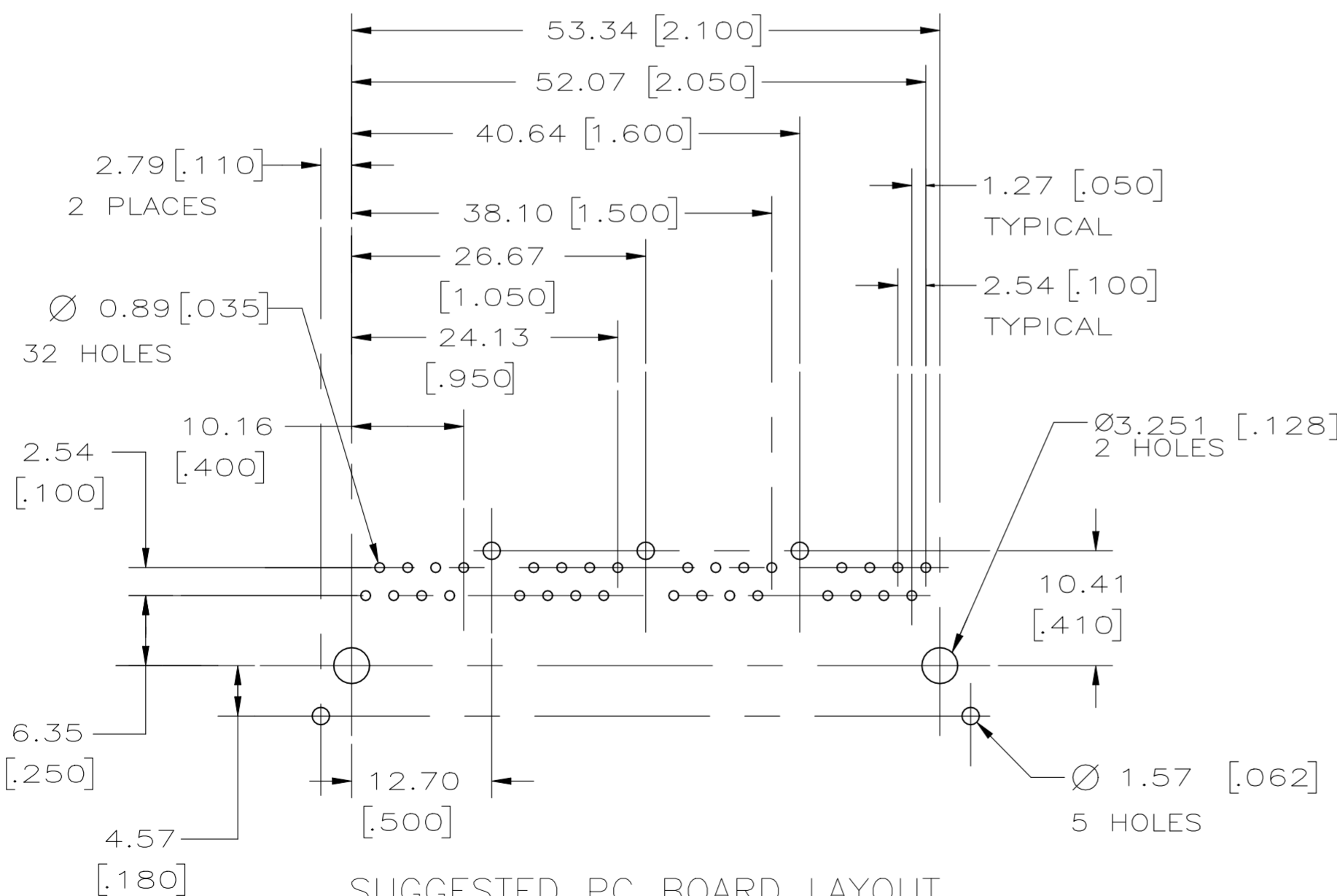
⚠ MATERIAL: HOUSING – PCT POLYESTER, BLACK, IR COMPATIBLE, UL 94V-0.  
 TERMINALS – 0.33 [.013] THICK PHOS BRONZE PLATED WITH 1.27  $\mu$ m [.000050] MINIMUM HARD GOLD ON LOCALIZED AREA AND 3.81  $\mu$ m [.000150] MINIMUM MATTE TIN IN SOLDER AREA OVER 1.27  $\mu$ m [.000050] MINIMUM NICKEL UNDERPLATE.  
 SHIELDS – 0.25 [.010] THICK COPPER ALLOY PLATED WITH 1.27  $\mu$ m [.000050] MINIMUM NICKEL AND 2.03  $\mu$ m [.000080] MINIMUM HOT TIN DIP ON PCB GROUND TABS.

⚠ JACK CAVITY CONFORMS TO FCC RULES AND REGULATIONS, PART 68 SUBPART F.

3. ALL DIMENSIONS ARE NOMINAL UNLESS OTHERWISE SPECIFIED.

⚠ CAUTION: CATEGORY 5 JACK SOLDER TAIL POSITIONS DO NOT FOLLOW SAME NUMBER

JACKS.  
 SEQUENCE AS THAT OF THE TRADITIONAL



SUGGESTED PC BOARD LAYOUT  
 COMPONENT SIDE  
 SEE APPLICATION SPECIFICATION

THIS DRAWING IS A CONTROLLED DOCUMENT.		DWN W. LONG/L.A.MAYER 20APR2005		
		CHK J.WESTMAN 20APR2005		
DIMENSIONS: mm		APVD S.FLICKINGER 20APR2005	NAME	
TOLERANCES UNLESS OTHERWISE SPECIFIED:		PRODUCT SPEC 108-1163-2	MODULAR JACK ASSEMBLY, 4 PORT, 8 POSN, RIGHT ANGLE, CAT 5e, PCB GROUND SHIELD	
0 PLC ± - 1 PLC ± - 2 PLC ± 0.25[.01] 3 PLC ± 0.13[.005] 4 PLC ± - ANGLES ± -		APPLICATION SPEC 114-2048	SIZE A2	CAGE CODE 00779
MATERIAL SEE NOTE 1		FINISH SEE NOTE 1	DRAWING NO C=5558524	RESTRICTED TO -
		WEIGHT 0.000000	SCALE 2:1	SHEET 1 OF 1
		CUSTOMER DRAWING	REV B2	

5558524

B

A

单击下面可查看定价，库存，交付和生命周期等信息

[>>TE Connectivity\(泰科\)](#)