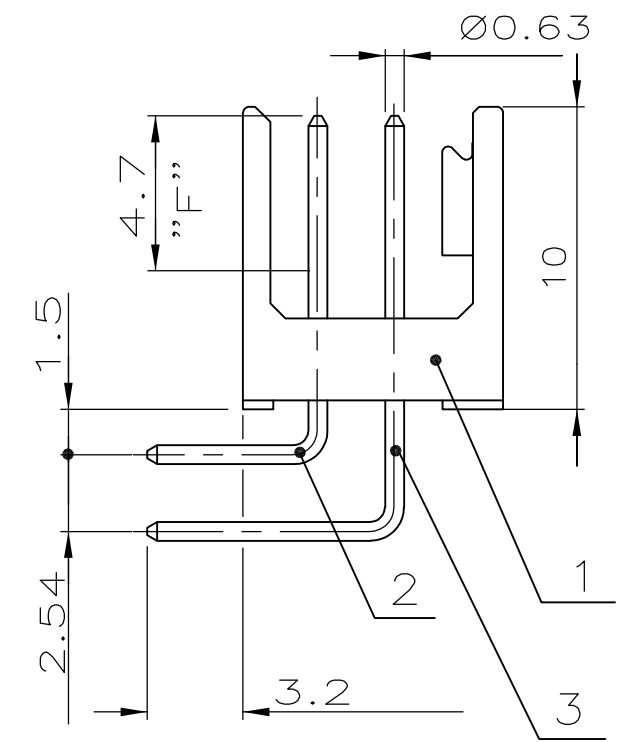
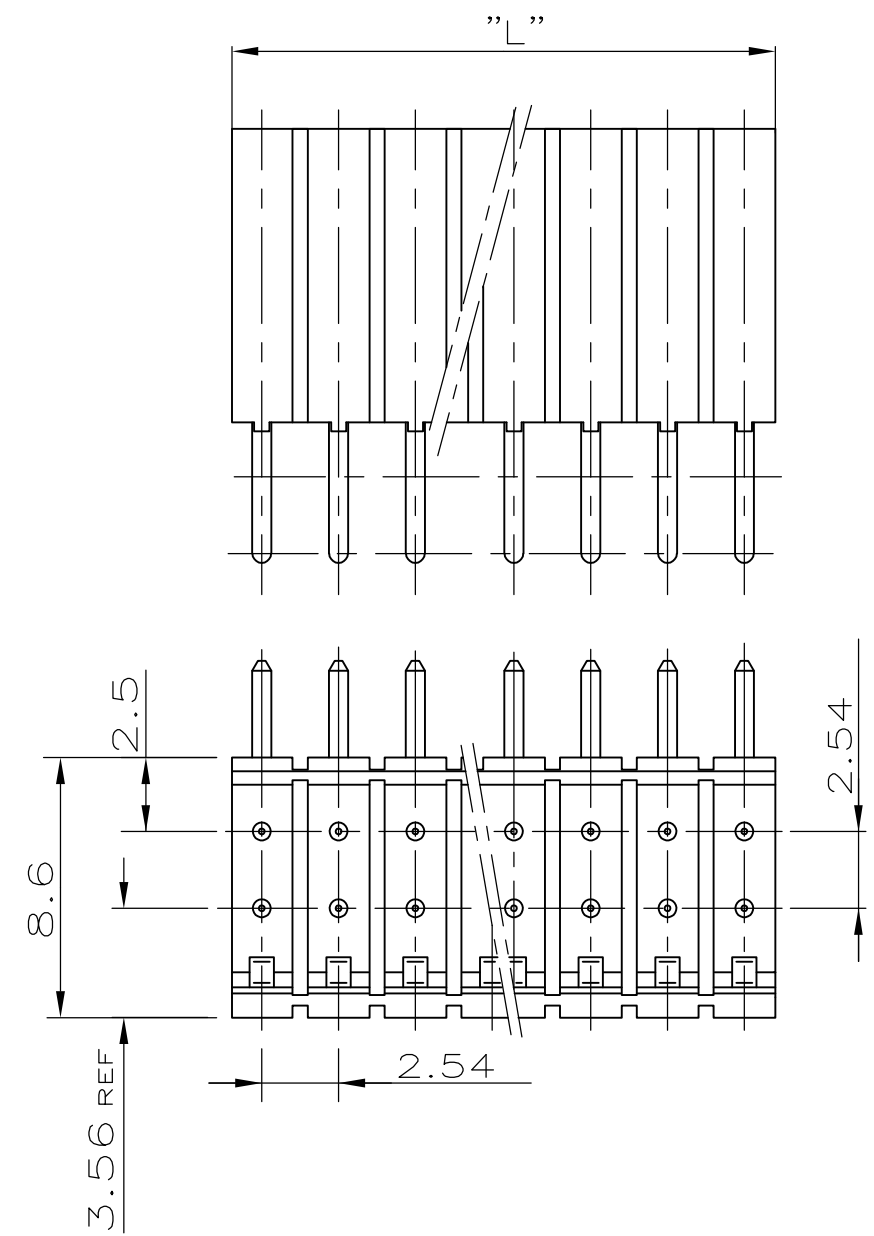


THIS DRAWING IS UNPUBLISHED. RELEASED FOR PUBLICATION
 © COPYRIGHT - By - ALL RIGHTS RESERVED.

LOC	DIST	REVISIONS			
P	LTR	DESCRIPTION	DATE	DWN	APVD
A1	-	F	PLATING CHANGE TO PdNi + Au FLASH AT AREA F	14MAY2014	KJK JK

POS. PER ROW "n"	L±0.4	PART NO.
2	4.58	-2
3	7.12	829 540 -3
4	9.66	829 540 -4
5	12.20	829 540 -5 OBSOLETE
9	22.36	829 540 -9
17	42.68	1- 829 540 -7



△ MATING SIDE AT AREA "F"
 MIN. 0.7µm PdNi + 0.1µm GOLD FLASH
 OVER 1.27µm NICKEL
 SOLDER SIDE: MIN 3.0µm TIN OVER 1.27µm NICKEL

3	CONTACT PIN KONTAKTSTIFT	Cu Zn	△
2	CONTACT PIN KONTAKTSTIFT	Cu Zn	△
1	PIN HOUSING STIFTGEHÄUSE	PA 4/6	BLACK SCHWARZ
POS.	BENENNUNG EINZELTEIL	WERKSTOFF	OBERFLÄCHE FARBE
[ITEM NO.]	[DESCRIPTION]	[MATERIAL]	[FINISH]

DIMENSIONS:		TOLERANCES UNLESS OTHERWISE SPECIFIED:	
mm		±0.2mm	
0 PLC	± -	1 PLC	± -
1 PLC	± -	2 PLC	± -
2 PLC	± -	3 PLC	± -
3 PLC	± -	4 PLC	± -
4 PLC	± -	ANGLES	± -
MATERIAL	SEE TABLE	FINISH	SEE TABLE

THIS DRAWING IS A CONTROLLED DOCUMENT.		DWN MÜLLER 12.02.90	STE TE Connectivity	
		CHK SCHAARSCHMIDT 12.02.90		
		APVD -	NAME	
		PRODUCT SPEC	AMPMODU II PIN HEADER 90 DEG, DUAL ROW	
		APPLICATION SPEC	108-18012	
		WEIGHT -	SIZE	CAGE CODE
		CUSTOMER DRAWING	A3	00779
		SCALE 4:1	DRAWING NO	RESTRICTED TO
		SHEET 1 OF 1	C-829540	-
		REV F		

单击下面可查看定价，库存，交付和生命周期等信息

[>>TE Connectivity\(泰科\)](#)