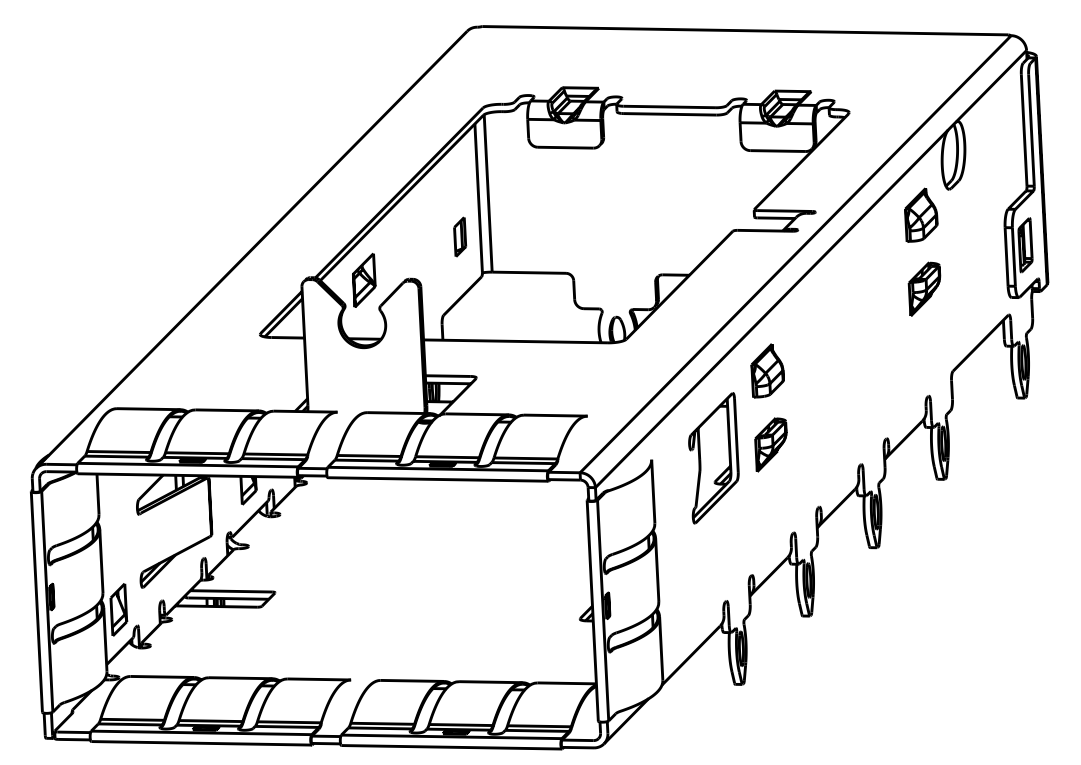
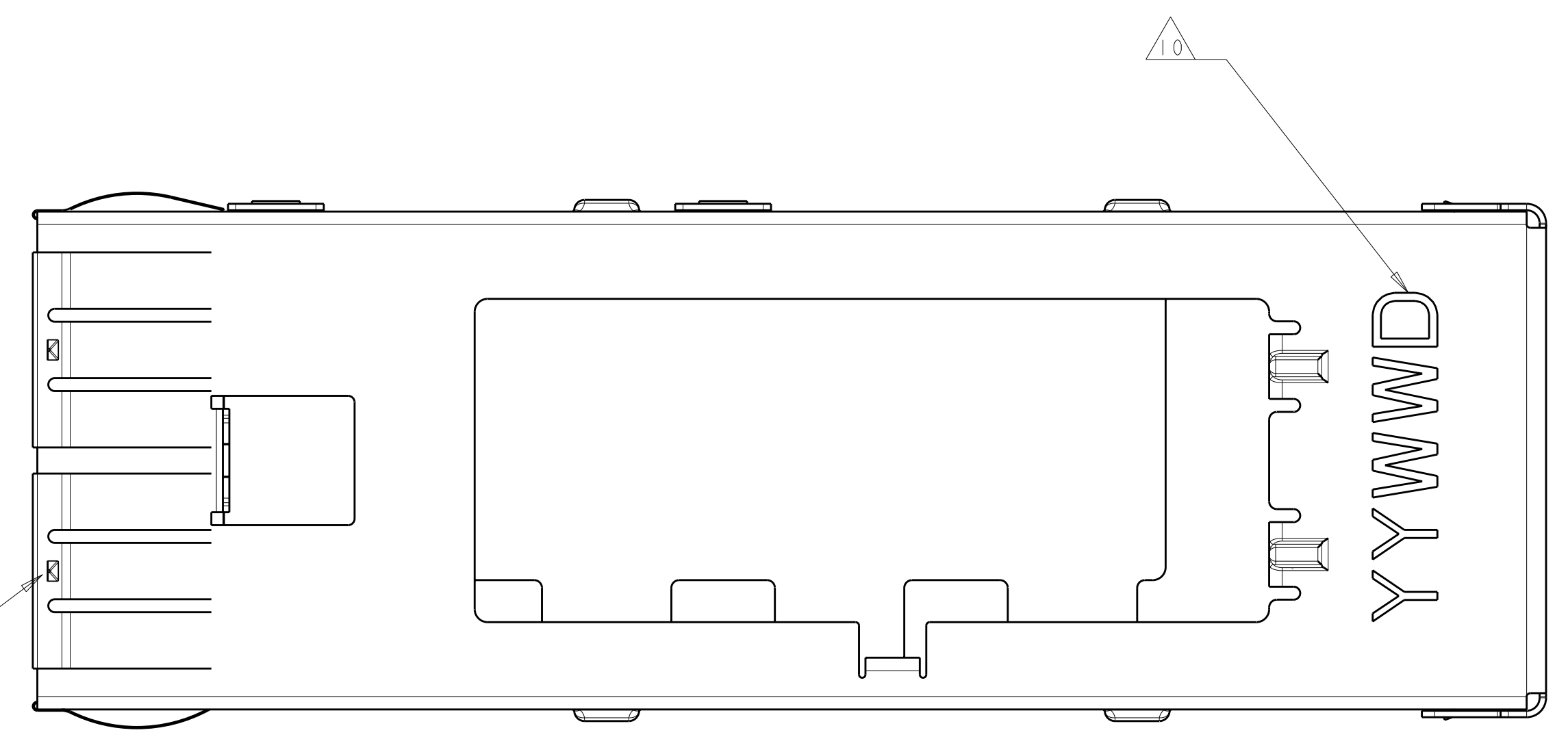


LOC	DIST	REV	DATE	DWN	APVD
GP	00	B	11SEP2009	CR	JP
		DESCRIPTION			
		REV PER ECO-09-020440			

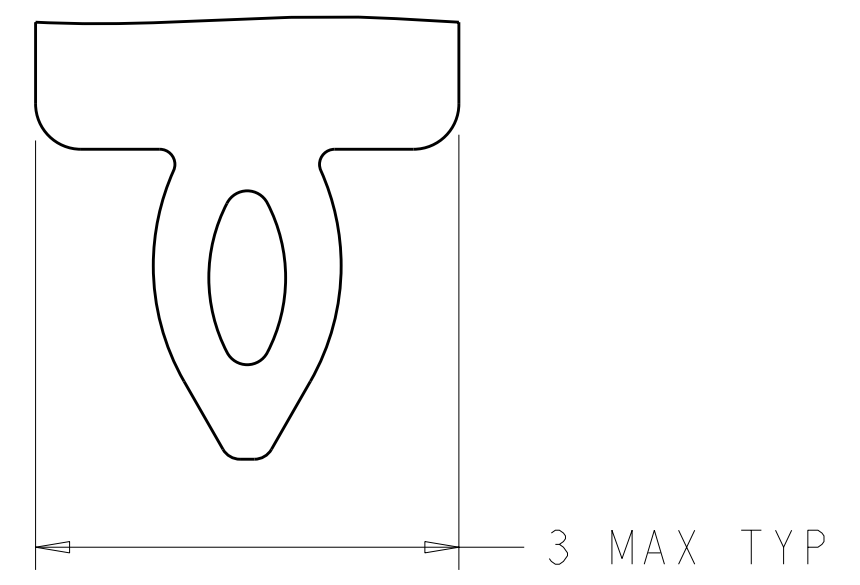
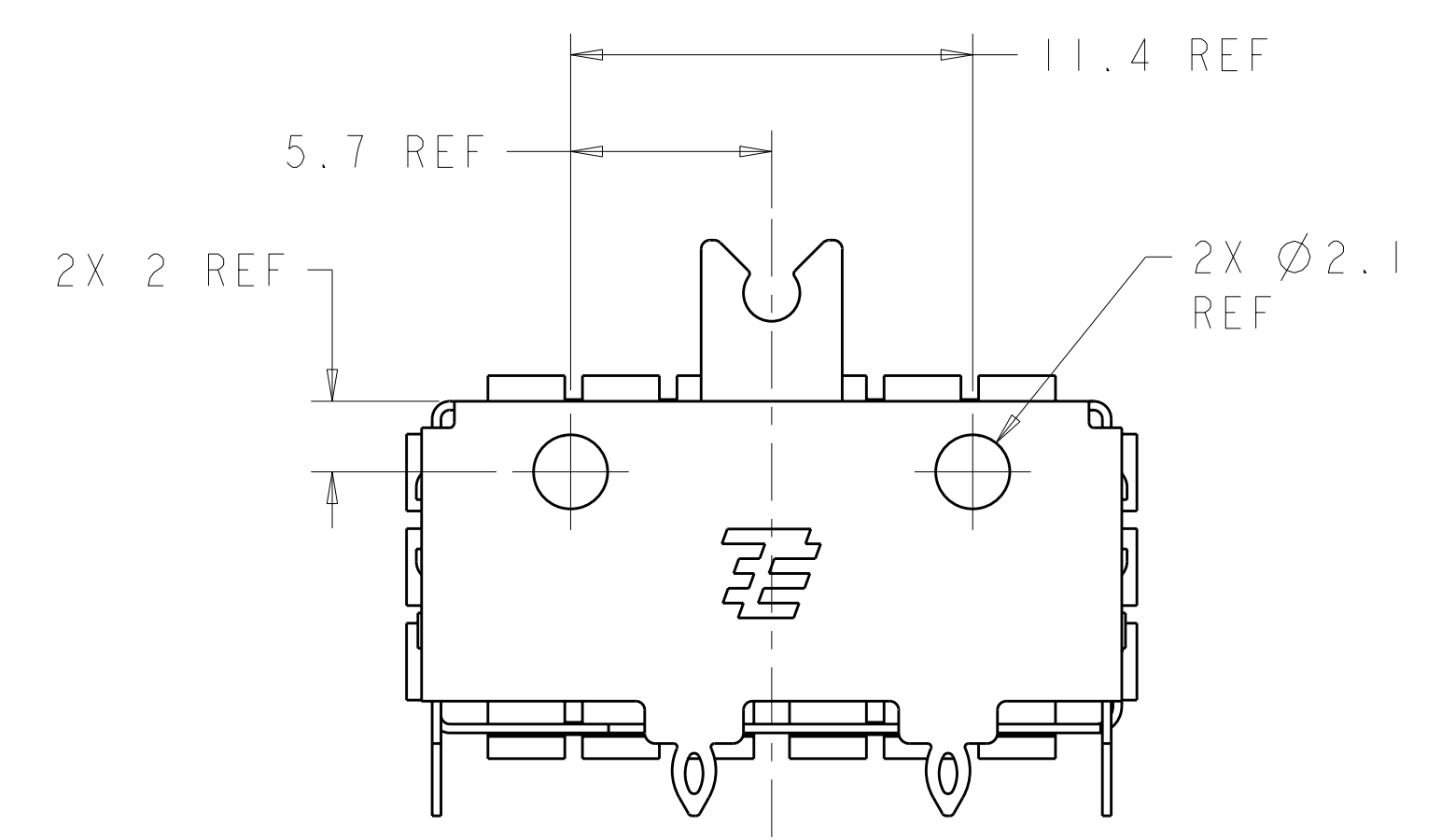
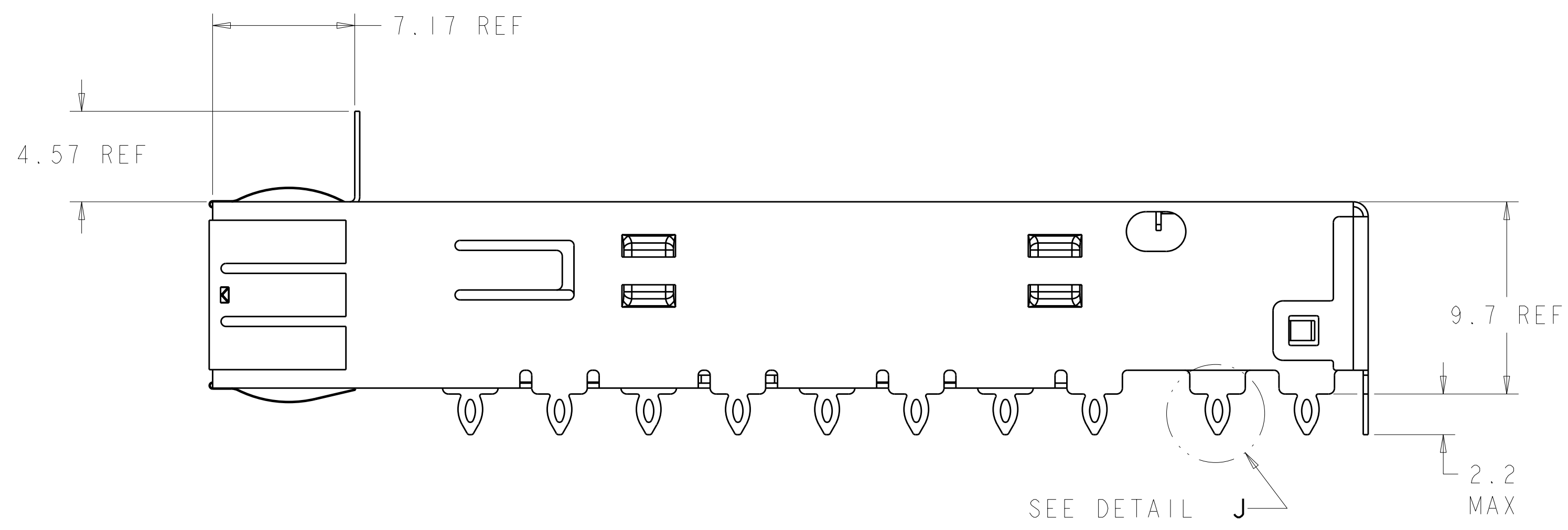
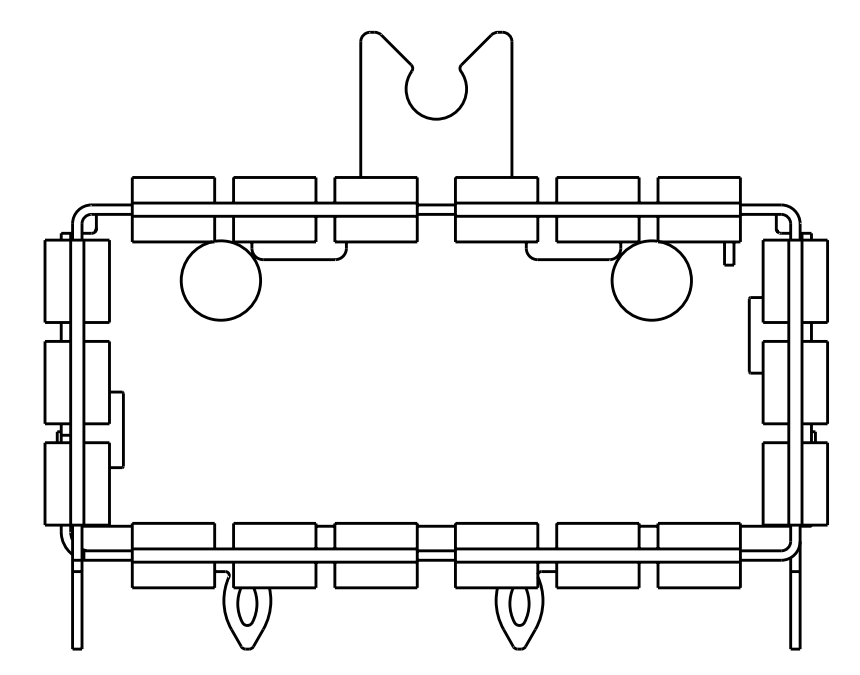


ISOMETRIC VIEW
SCALE 4:1

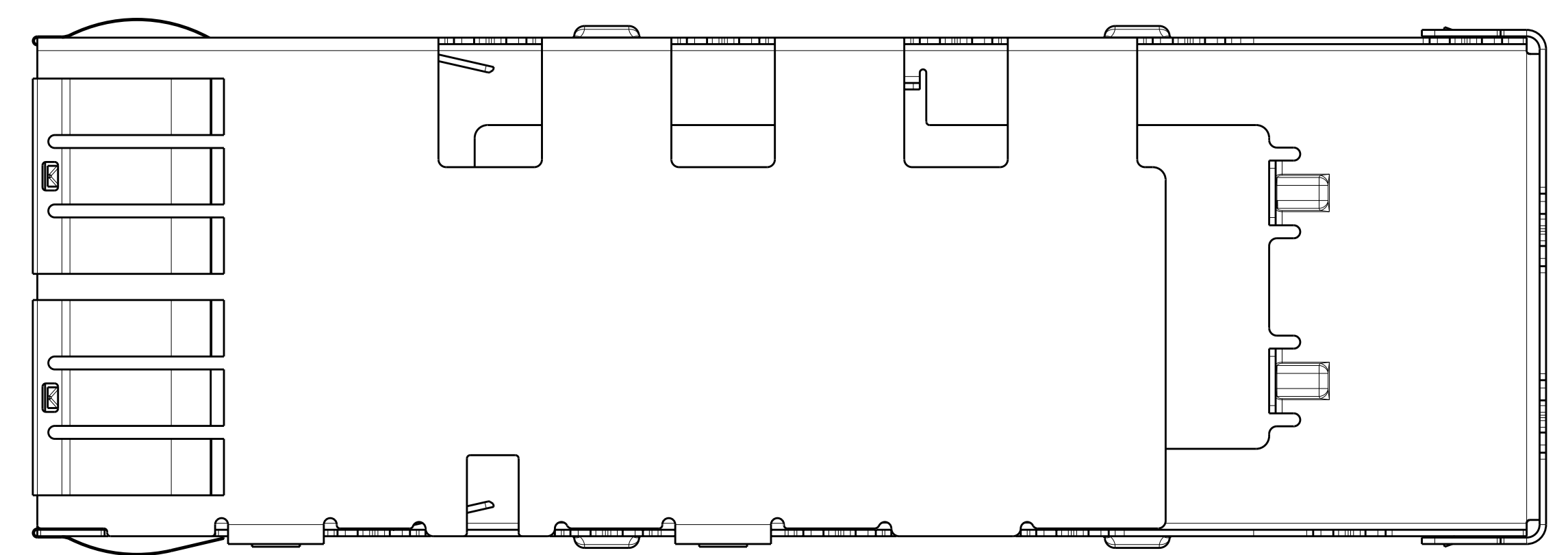
Sn42Bi58 SOLDER
6 PLACES



- △ CAGE MATERIAL: 0.25 THICK NICKEL SILVER.
SPRING MATERIAL: COPPER ALLOY.
- △ MINIMUM PITCH DIMENSION.
- 3. MATES WITH QSFP MSA COMPATIBLE TRANSCEIVER.
- △ REFERENCE APPLICATION SPEC 114-13217 FOR RECOMMENDED DRILL HOLE DIAMETER AND PLATING THICKNESS.
- △ DATUMS AND BASIC DIMENSIONS ESTABLISHED BY CUSTOMER.
- 6. MINIMUM PC BOARD THICKNESS:
SINGLE SIDED = 1.45mm
DOUBLE SIDED = 2.2mm
- 7. MAX HEIGHT OF LED OFF PC BOARD NOT TO EXCEED 1.7 mm.
- △ DATUM [-A-] IS TOP SURFACE OF HOST BOARD.
- △ SURFACE TRACES PERMITTED WITHIN THIS AREA EXCEPT WHERE CAGE STANDOFFS, SHOWN IN DETAIL J, CONTACT PC BOARD.
- △ DATE CODE (YYWWD) MARKED APPROXIMATELY AS SHOWN.
- △ SPRING FINISH: 0.8µm MIN TIN OVER 0.8µm MIN NICKEL
NON-PLATED EDGES PERMISSIBLE.
- 12. PRODUCT HAS NOT COMPLETED QUALIFICATION TESTING.



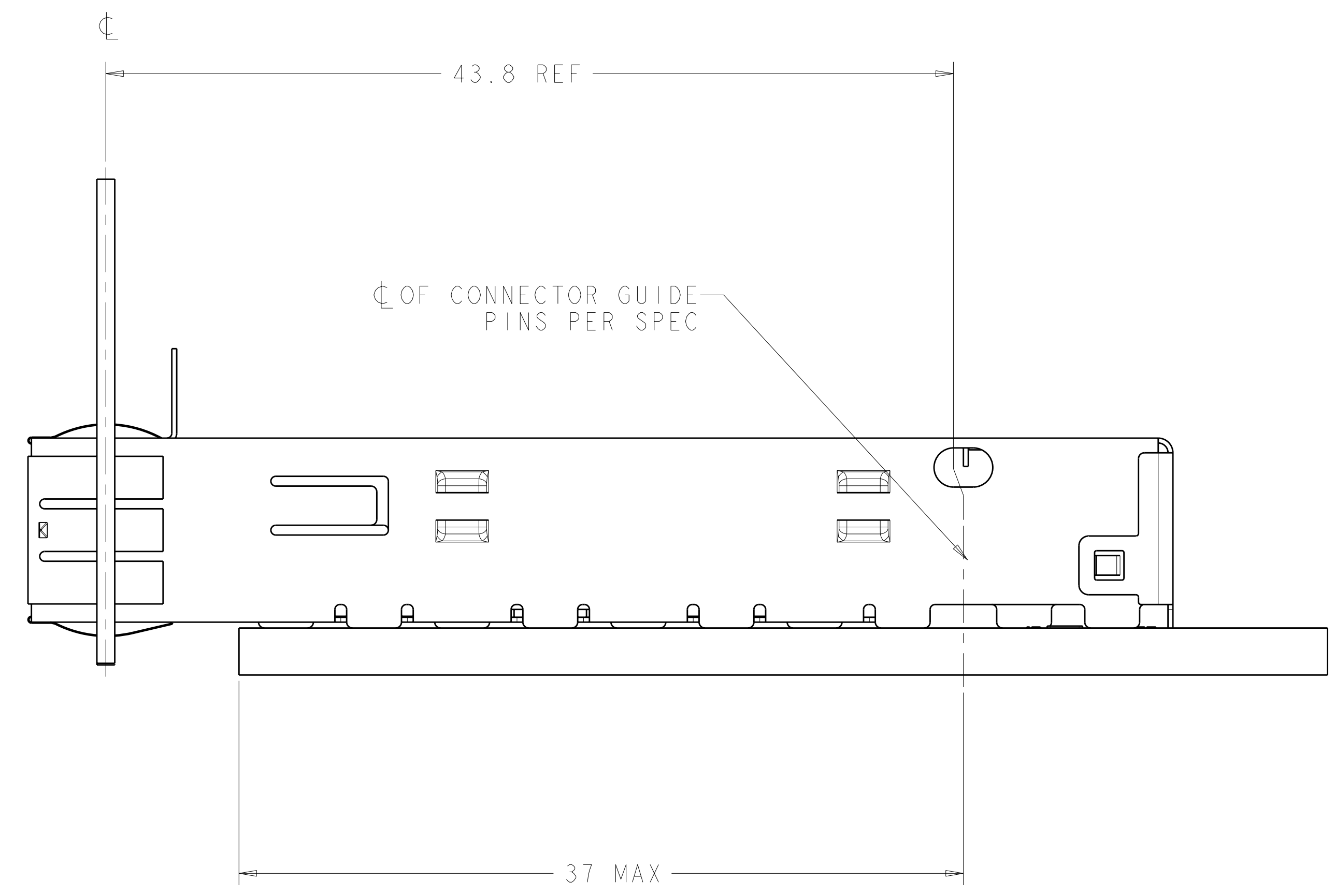
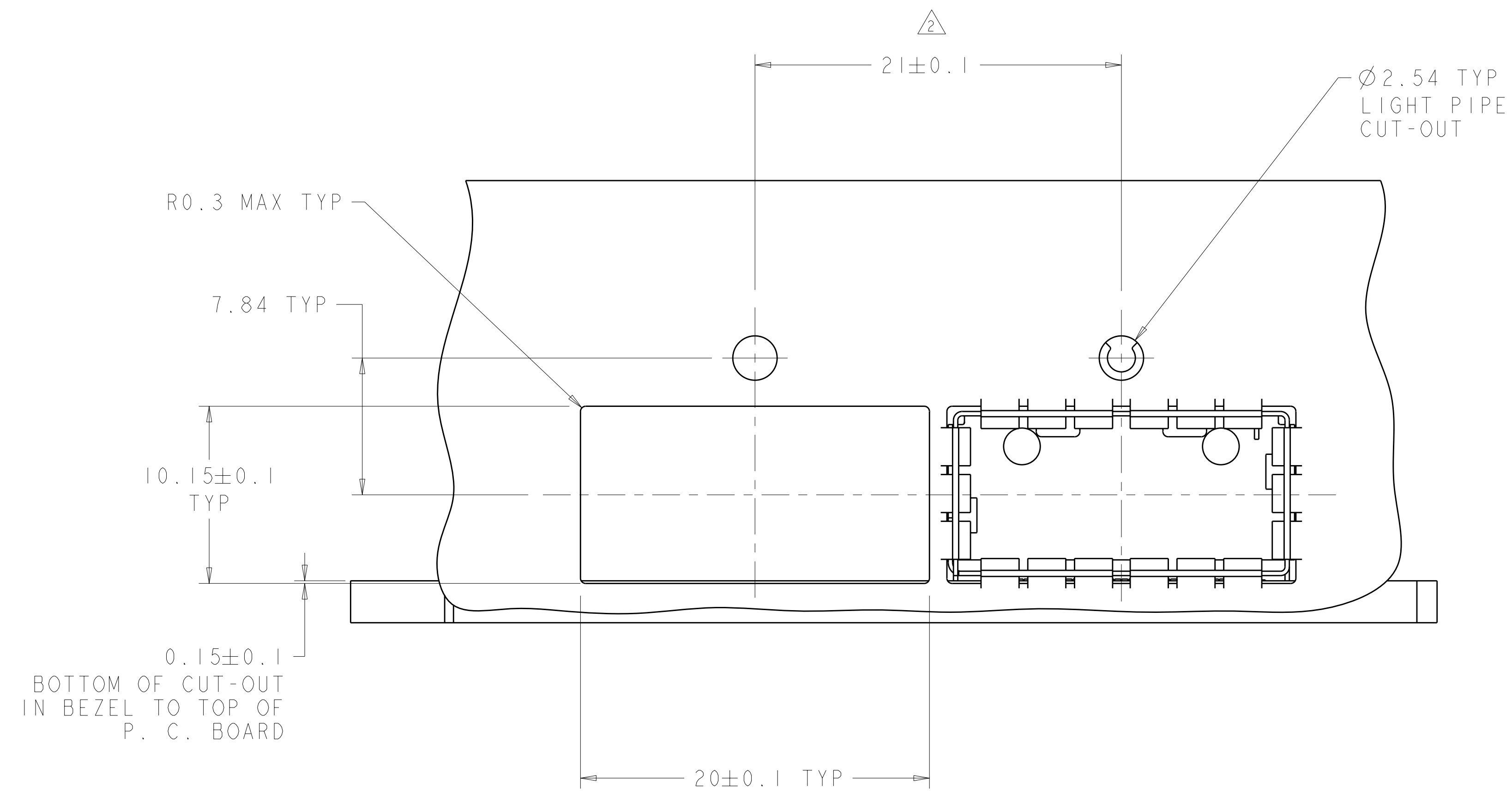
DETAIL J
SCALE 20:1



1888674-1
PART NUMBER

DIMENSIONS: mm 		TOLERANCES UNLESS OTHERWISE SPECIFIED: 0 PLC ± 1 PLC ±0.25 2 PLC ±0.13 3 PLC ± 4 PLC ± ANGLES ± FINISH		DWN B. MCMASTER 04OCT06 CHK E. J. BRIGHT 04OCT06 APVD E. J. BRIGHT 04OCT06 PRODUCT SPEC 108-2286 APPLICATION SPEC 114-13217 WEIGHT CUSTOMER DRAWING		Tyco Electronics Harrisburg, PA 17105-3608 NAME CAGE ASSEMBLY, THRU BEZEL, QSFP, WITH LIGHTPIPE BRACKET SIZE CAGE CODE DRAWING NO A100779C=1888674 RESTRICTED TO	
SCALE 5:1		SHEET 1 OF 3		REV B			

LOC	DIST	REVISIONS			
REV	LTG	DESCRIPTION	DATE	DWN	APVD
GP	00	SEE SHEET 1	-	-	-



RECOMMENDED BEZEL CUTOUT
AND LOCATION

<small>THIS DRAWING IS UNPUBLISHED. RELEASED FOR PUBLICATION 2007. IT IS SUBJECT TO CHANGE WITHOUT NOTICE AND WITHOUT OBLIGATION. SHOULD BE CONTACTED FOR THE LATEST REVISION.</small>		DWN: B. MCMASTER 04OCT06 CHK: E. J. BRIGHT 04OCT06 APVD: E. J. BRIGHT 04OCT06	Tyco Electronics Harrisburg, PA 17105-3608
DIMENSIONS: mm 	TOLERANCES UNLESS OTHERWISE SPECIFIED: 0 PLC ± 1 PLC ±0.25 2 PLC ±0.13 3 PLC ± 4 PLC ± ANGLES ± FINISH ±	NAME: CAGE ASSEMBLY, THRU BEZEL, QSFP, WITH LIGHTPIPE BRACKET PRODUCT SPEC: 108-2286 APPLICATION SPEC: 114-13217 WEIGHT: - CUSTOMER DRAWING	SIZE: A 00779 C=1888674 SCALE: 5:1 SHEET 2 OF 3 REV B

单击下面可查看定价，库存，交付和生命周期等信息

[>>TE Connectivity\(泰科\)](#)