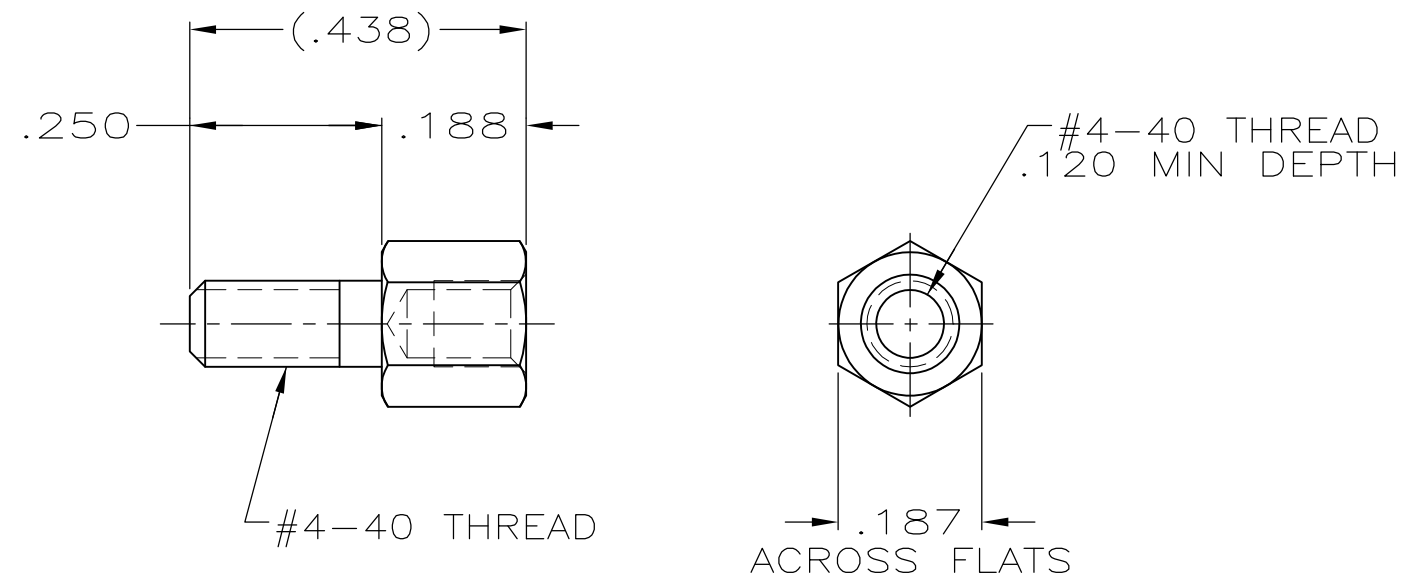



THIS DRAWING IS UNPUBLISHED. RELEASED FOR PUBLICATION
 © COPYRIGHT - By - ALL RIGHTS RESERVED.

LOC	DIST	REVISIONS					
GP	00	P	LTR	DESCRIPTION	DATE	DWN	APVD
		P		REVISED PER ECO-11-004835	19APR11	RK	HMR



- 1 ZINC PLATED .000200-.000400 THICK, YELLOW CHROMATE COATING.
- 2 ZINC PLATED .000200-.000400 THICK, CLEAR CHROMATE COATING.

2	5207953-3
1	5207953-2
FINISH	PART NO

THIS DRAWING IS A CONTROLLED DOCUMENT.		DWN	R.RICHARDSON	24JUN05	 TE Connectivity SCREWLOCK, FEMALE, SHORT, AMPLIMITE											
DIMENSIONS: INCHES		CHK	C.ROHDE	24JUN05												
TOLERANCES UNLESS OTHERWISE SPECIFIED:		APVD	M.WALMSLEY	24JUN05												
<table border="1"> <tr><td>0 PLC</td><td>± -</td></tr> <tr><td>1 PLC</td><td>± -</td></tr> <tr><td>2 PLC</td><td>± -</td></tr> <tr><td>3 PLC</td><td>± .005</td></tr> <tr><td>4 PLC</td><td>± -</td></tr> <tr><td>ANGLES</td><td>± -</td></tr> </table>		0 PLC	± -	1 PLC				± -	2 PLC	± -	3 PLC	± .005	4 PLC	± -	ANGLES	± -
0 PLC	± -															
1 PLC	± -															
2 PLC	± -															
3 PLC	± .005															
4 PLC	± -															
ANGLES	± -															
MATERIAL: COLD ROLLED STEEL		FINISH: SEE TABLE		APPLICATION SPEC		SIZE	CAGE CODE	DRAWING NO	RESTRICTED TO							
				WEIGHT: -		A3 00779		C-5207953								
CUSTOMER DRAWING						SCALE	4:1	SHEET	1 OF 1	REV	P					

单击下面可查看定价，库存，交付和生命周期等信息

[>>TE Connectivity\(泰科\)](#)