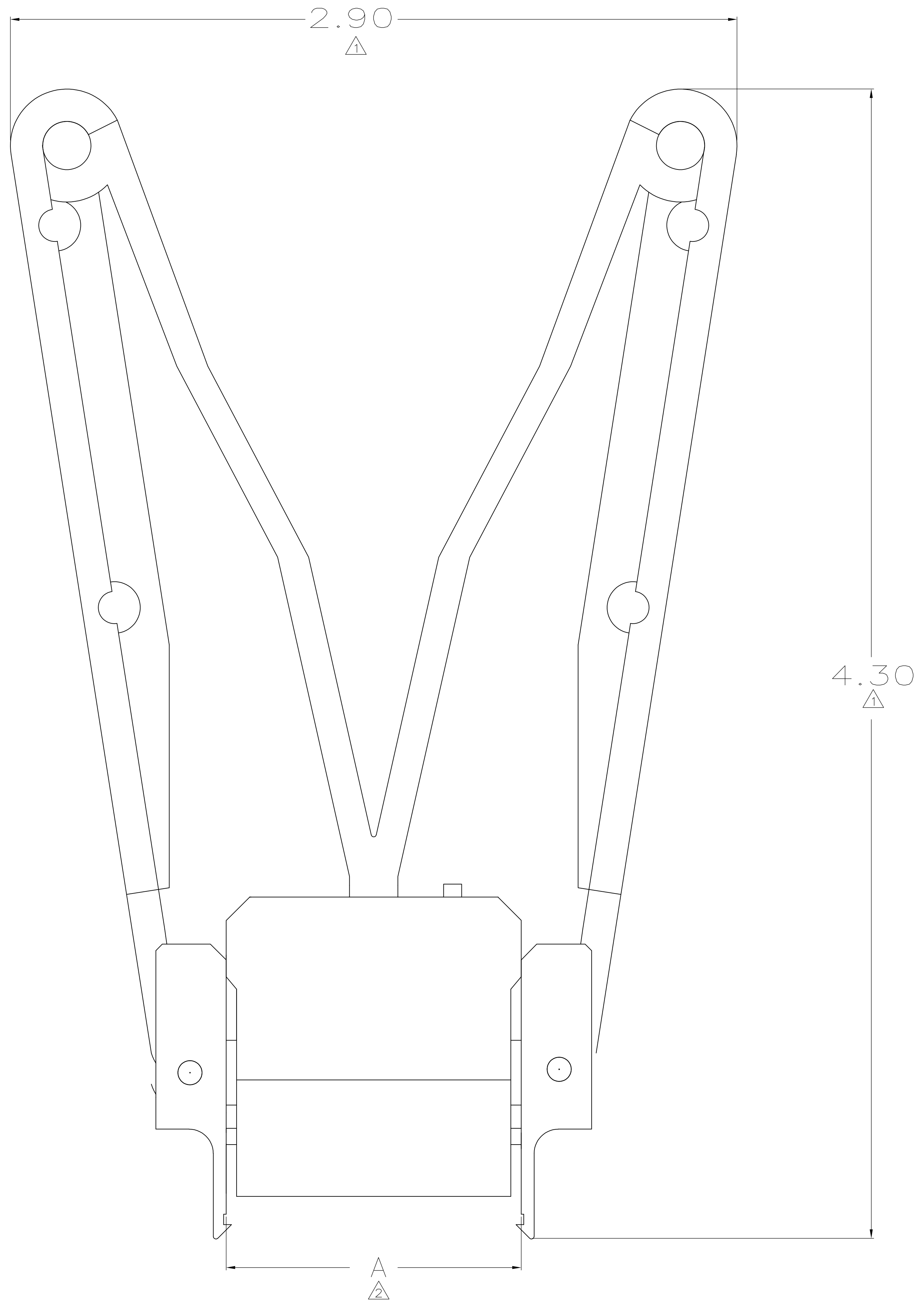


REVISIONS						
LOC	DIST	P	F	ZONE	LTR	DESCRIPTION
AG	55				A1	REVISED PER ECO-09-023313
					A	REVISED PER AG-3260
						DATE
						13OCT09
						APPD
						AG
						DATE
						7-26-93
						APPD
						WS



- ① DIMENSION APPLIES ONLY WHEN HANDLE IS IN FREE STATE.
- ② DIMENSION "A" APPLIES ONLY WHEN HANDLE IS SQUEEZED, WITH HOOKS PIVOTED AGAINST CAM.
- 3. FOR INSTRUCTION ON HOW TO USE THIS HAND TOOL REFER TO AMP INSTRUCTION SHEET IS-3289.
- ④ OBSOLETE PARTS: OBSOLETE CIS STREAMLINING PER D.RENAUD/D.SINISI

④ OBSOLETE	1.485 - 1.500	822253-4
④ OBSOLETE	1.525 - 1.540	822253-3
④ OBSOLETE	1.325 - 1.340	822253-2
④ OBSOLETE	1.125 - 1.140	822253-1
	DIM A	PART NO.

DO NOT SCALE PRINT. UNLESS SPECIFIED		PART NO	
DIMENSIONS IN mm [INCHES]	DR 4-29-92 G. HOWELL	AMP Incorporated Harrisburg, PA 17105-3608	
TOLERANCES ON :	CHK 4-29-92 G. HOWELL		
2 PLC DEC ± .02	APPD 4-29-92 G. HOWELL	9-10-91	
3 PLC DEC ± .005	APPD 4-29-92 B. FEELEY	PRODUCT ASSY HAND TOOL	
ANGLES ± -	PRODUCT SPEC	-	
MATERIAL	APPLICATION SPEC	SIZE	CAGE CODE
-	-	D	00779
FINISH	WEIGHT	DRAWING NO	822253
-	-	SCALE	2:1
		SHEET	1 OF 1

单击下面可查看定价，库存，交付和生命周期等信息

[>>TE Connectivity\(泰科\)](#)