

4

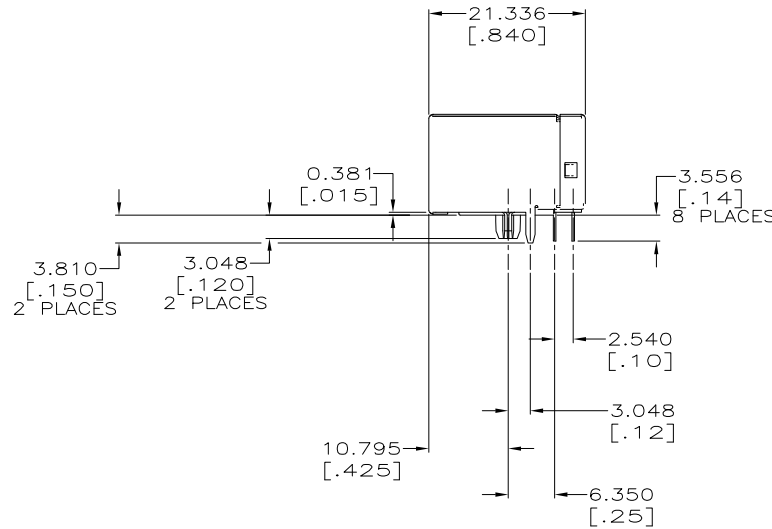
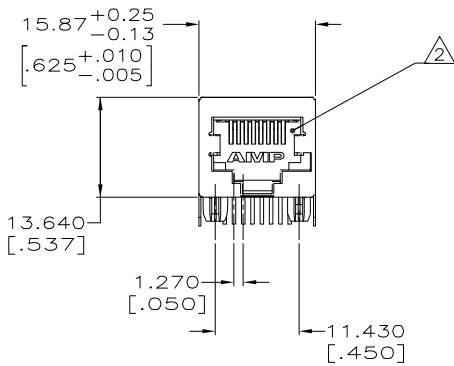
3

2

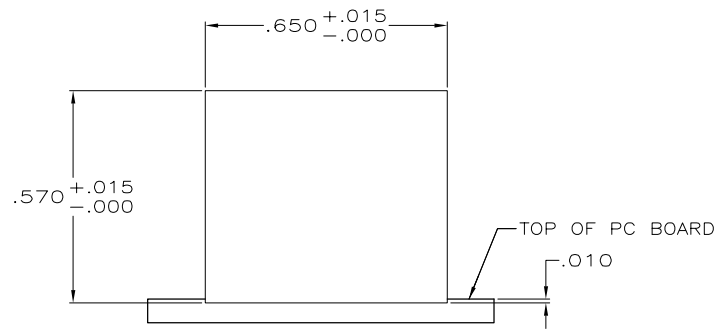
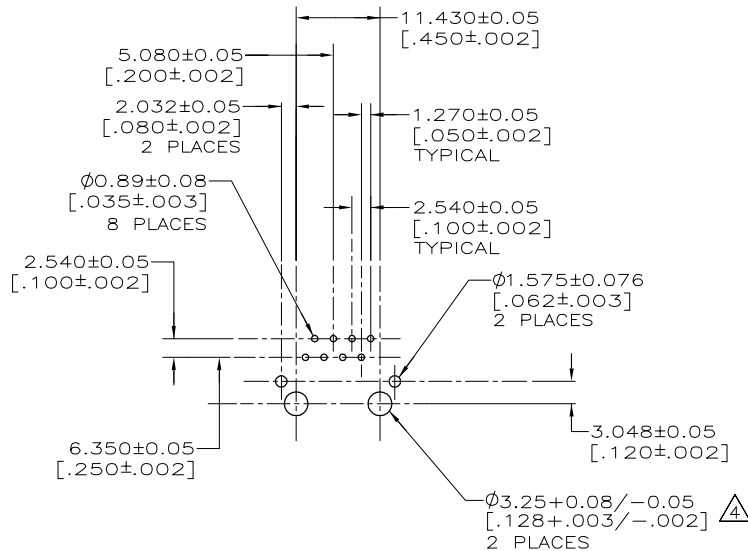
1

THIS DRAWING IS UNPUBLISHED. RELEASED FOR PUBLICATION  
 © COPYRIGHT BY TYCO ELECTRONICS CORPORATION. ALL RIGHTS RESERVED.

LOC		DIST		REVISIONS				
AA	22	P	LTR	DESCRIPTION	DATE	DWN	APVD	
		A1		REV PER ECR-09-004284	16APR2009	TY	SY	



- ⚠ MATERIAL: HOUSING PCT POLYESTER, BLACK, IR COMPATIBLE, UL 94V-0.  
 TERMINALS-0.33 [.013] THICK PHOS BRONZE PLATED WITH 1.27µm [.000050] MINIMUM THICK HARD GOLD IN LOCALIZED AREA AND 3.81µm [.000150] MINIMUM THICK MATTE TIN IN SOLDER AREA OVER 1.27µm [.000050] MINIMUM THICK NICKEL UNDERPLATE.  
 SHIELDS-0.254 [.010] THICK COPPER ALLOY PLATED WITH 1.27µm [.000050] MINIMUM NICKEL AND 2.03µm [.000080] MINIMUM HOT TIN DIP ON PCB GROUND TABS.
- ⚠ JACK CAVITY CONFORMS TO FCC RULES AND REGULATIONS, PART 68 SUBPART F.
- 3. ALL DIMENSIONS SHOWN ARE NOMINAL UNLESS OTHERWISE SPECIFIED.
- ⚠ USE #30 DRILL BIT OR 3.25mm DRILL BIT WHEN PRODUCING THESE PCB HOLES.



SUGGESTED PANEL CUTOUT  
 SCALE 4:1

SUGGESTED PC BOARD LAYOUT  
 COMPONENT SIDE

5558310-1  
 PART NUMBER

THIS DRAWING IS A CONTROLLED DOCUMENT.		DWN A. FERNANDEZ-DOCKES 07/JUN/2005	Tyco Electronics Corporation Harrisburg, PA 17105-3608	
DIMENSIONS: mm[inches]		CHK J. WESTMAN 07/JUN/2005	Tyco Electronics	
TOLERANCES UNLESS OTHERWISE SPECIFIED:		APVD S. FLICKINGER 07/JUN/2005	NAME	
0 PLC ± -		PRODUCT SPEC		
1 PLC ± -		108-1163		
2 PLC ± 0.254 [.01]		APPLICATION SPEC		
3 PLC ± 0.127 [.005]		114-2048		
4 PLC ± -		SIZE	CAGE CODE	DRAWING NO
ANGLES ± -		A2	-	©=5558310
MATERIAL	FINISH	WEIGHT	RESTRICTED TO	
⚠	⚠	-	CUSTOMER DRAWING	
		SCALE	SHEET	REV
		2:1	1 OF 1	A1

5558310

A

单击下面可查看定价，库存，交付和生命周期等信息

[>>TE Connectivity\(泰科\)](#)