

LOC	DIST	REVISIONS					
FT	0	P	LTH	DESCRIPTION	DATE	DWN	APVD
		A		NEW DRAWING	01AUG2013	KH	MB
		C		ECR-19-013847	04SEP2019	SS	JK

1 COUPLER DESIGNED TO MEET:
 ANSI/TIA/EIA-568-B.2, CATEGORY 5E
 IEC 60603-7, A8F, VARIANT 03
 FCC PART 68
 UL 1863

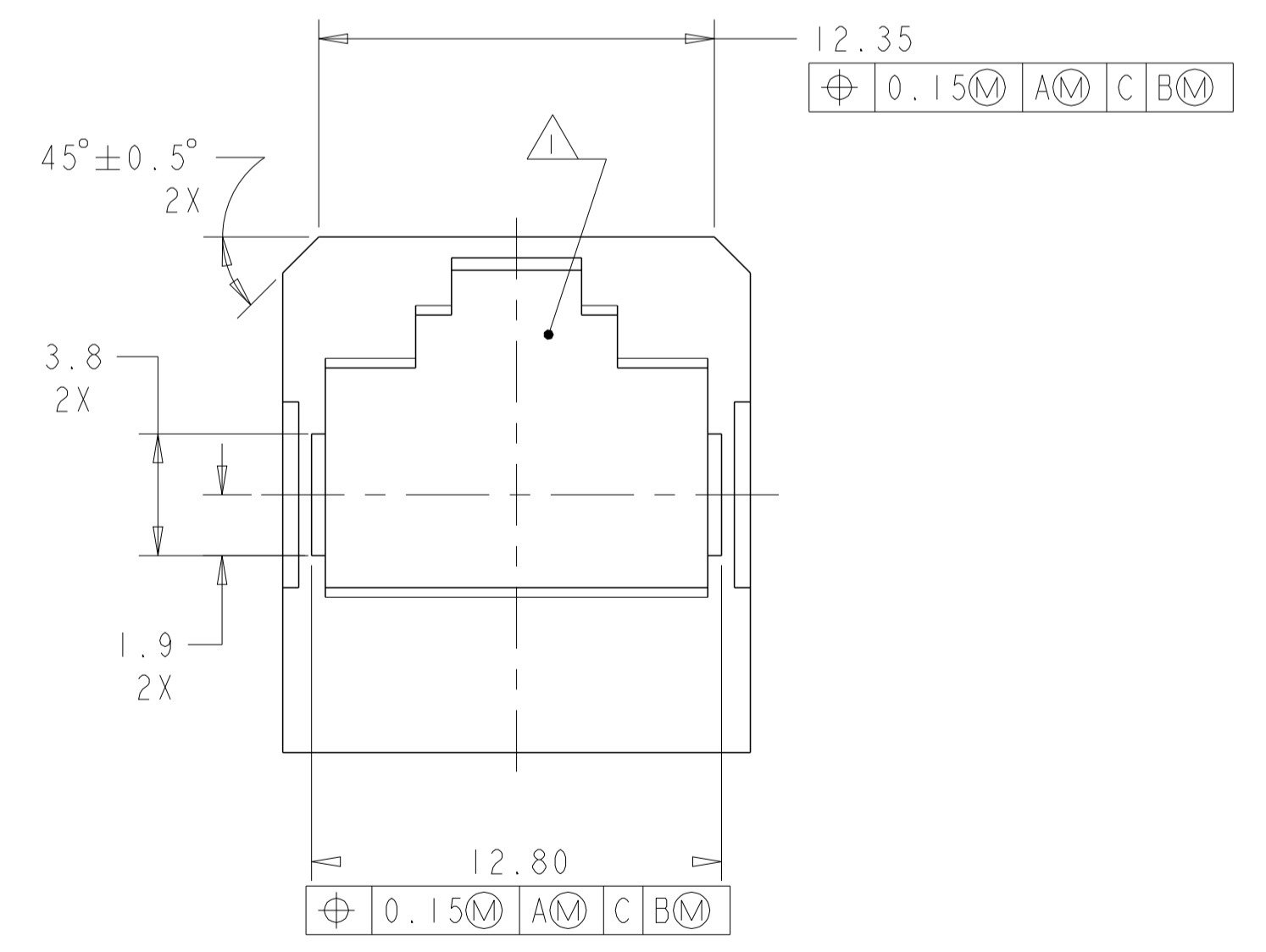
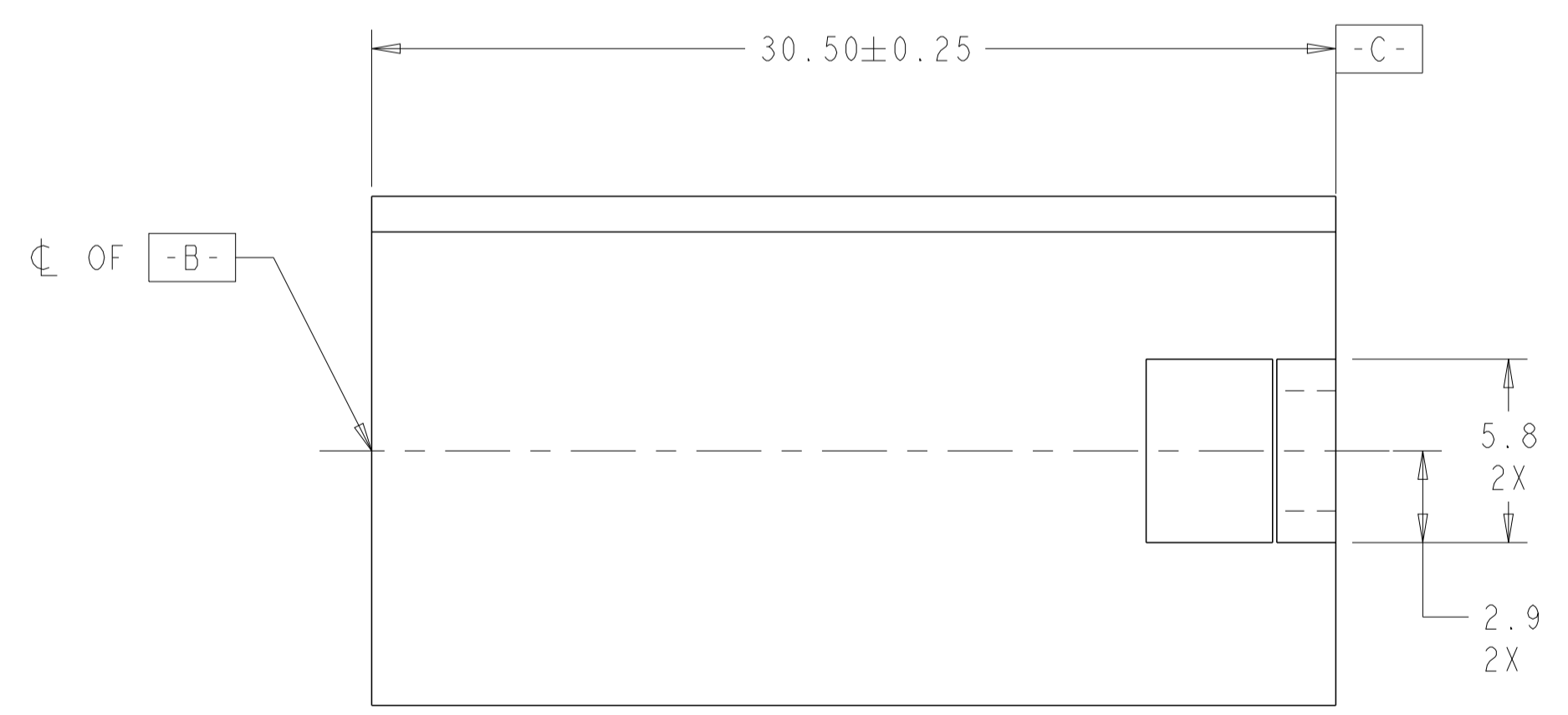
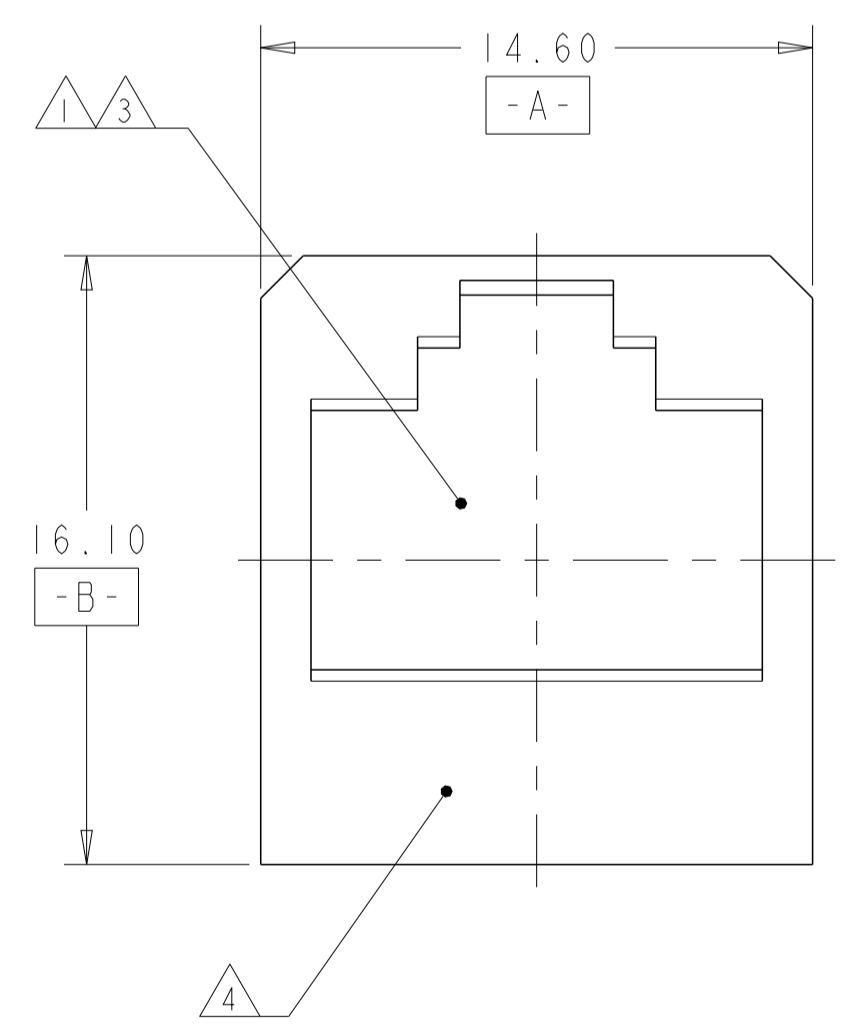
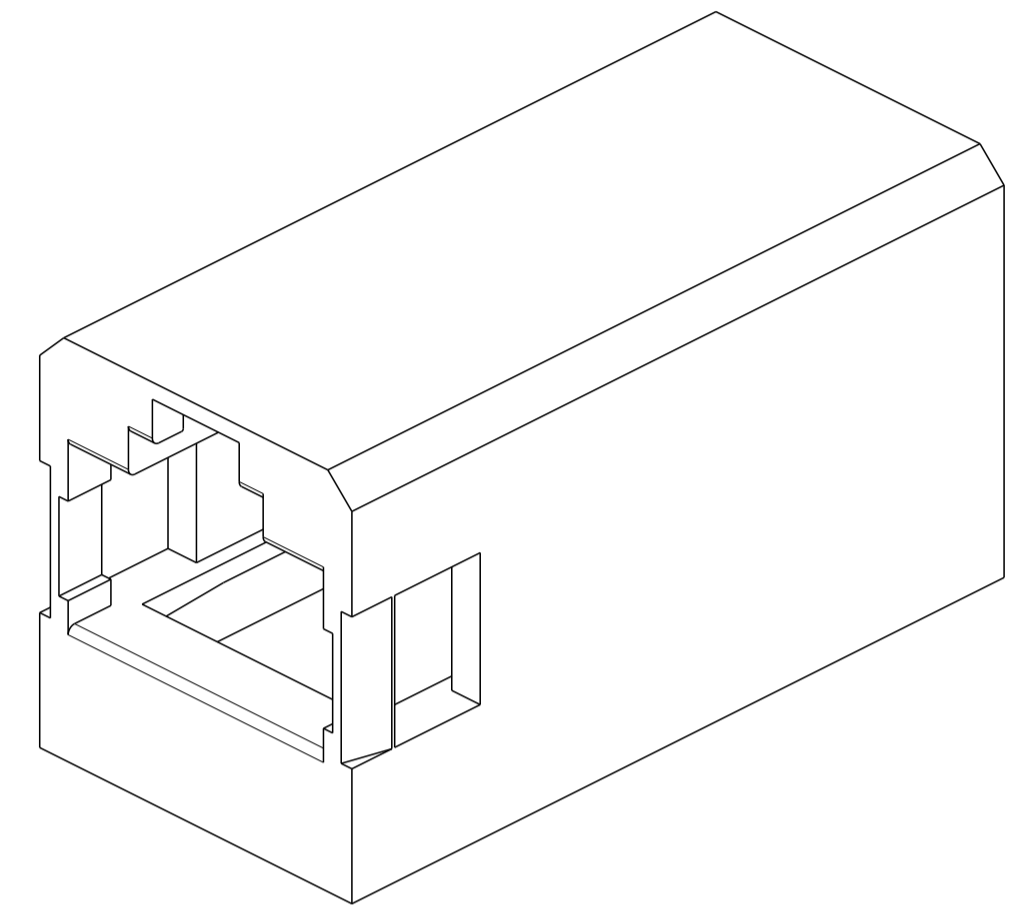
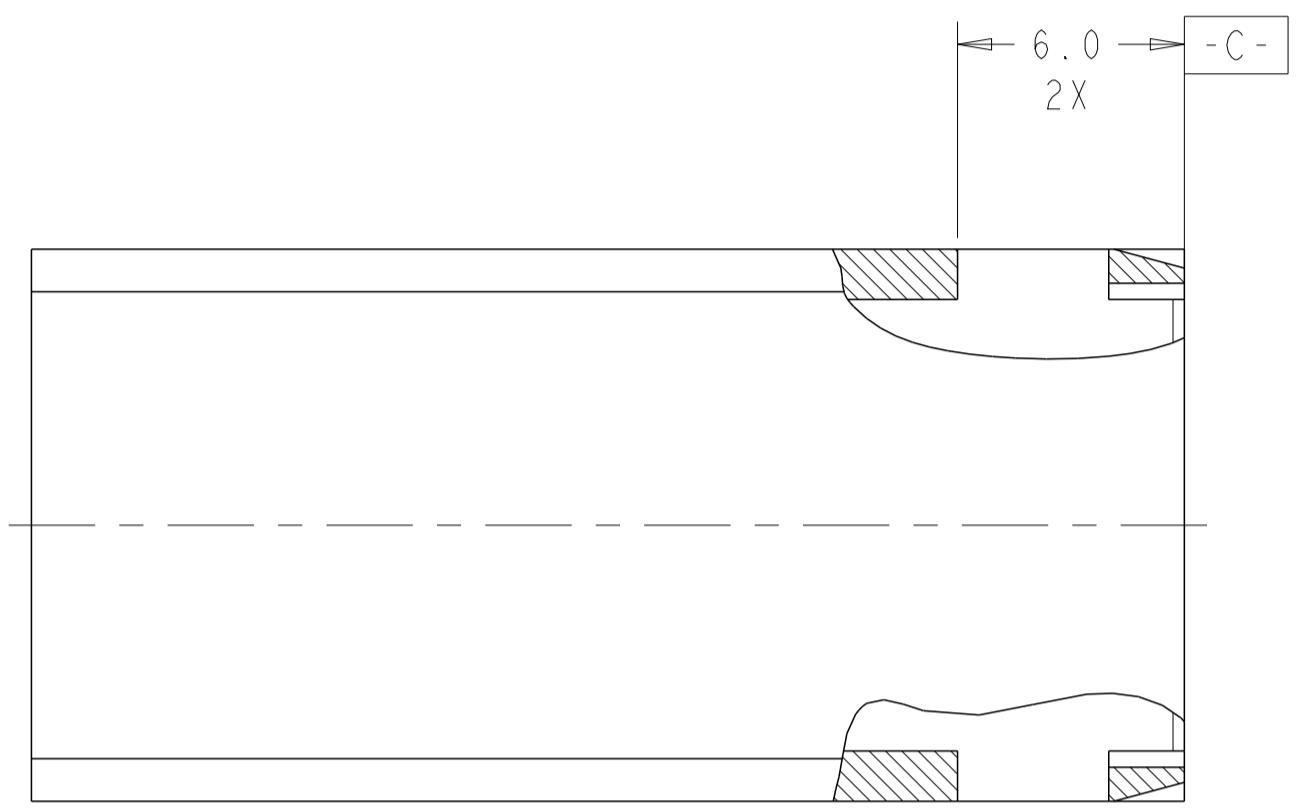
2 MATERIAL:
 JACK HOUSING:
 UL V-0 RATED AT 1.5mm THICKNESS, PC.
 UL RTI RATING TO BE 85°C FOR ELECTRICALS.
 AND MECHANICAL (WITHOUT IMPACT), COLOR BLACK.

CONTACTS:
 PHOSPHOR BRONZE, PLATED WITH 1.27 μm MIN
 GOLD PER ASTM B488 TYPE 2 GRADE B OVER 2.54 μm NICKEL PER QQ-N-290.
 CONTACT LIFE TO BE 750 INSERTIONS AND EXTRACTIONS MINIMUM.

3 COUPLER CONTACTS ARE STRAIGHT PINNED TO THEIR RESPECTIVE CONTACTS
 PIN 1-1, 2-2, 3-3, ETCETERA.

4 TE LOGO IN LOCATION SHOWN
 RAISED 0.08 TO 0.015

5. COMPLIES WITH DIRECTIVE 2002/95/EC
 (ROHS - RESTRICTIONS ON THE USE OF CERTAIN HAZARDOUS SUBSTANCES)
 TO BE LEAD FREE.



MATERIALS (JACK HOUSING)	REMARKS	1738612-1 PART NUMBER
-----------------------------	---------	--------------------------

THIS DRAWING IS A CONTROLLED DOCUMENT.		DWN: KIRAN HOLAL 01AUG2013	MATERIALS	
DIMENSIONS:		CHK: BRUBAKER MARK 01AUG2013	REMARKS	
TOLERANCES UNLESS OTHERWISE SPECIFIED:		APVD: BRUBAKER MARK 01AUG2013	PART NUMBER	
mm	0 PLC ±	PRODUCT SPEC	NAME	
	1 PLC ±0.2	APPLICATION SPEC	COUPLER ASSEMBLY, MODULAR JACK, INDUSTRIAL CIRCULAR ETHERNET CONNECTOR	
	3 PLC ±0.08	SIZE	CAGE CODE	DRAWING NO
	4 PLC ±	RESTRICTED TO	A1	00779
	ANGLES ±	WEIGHT	Customer Drawing	SCALE 5:1 SHEET 1 OF 1 REV C
MATERIAL SEE TABLE	FINISH			

单击下面可查看定价，库存，交付和生命周期等信息

[>>TE Connectivity\(泰科\)](#)