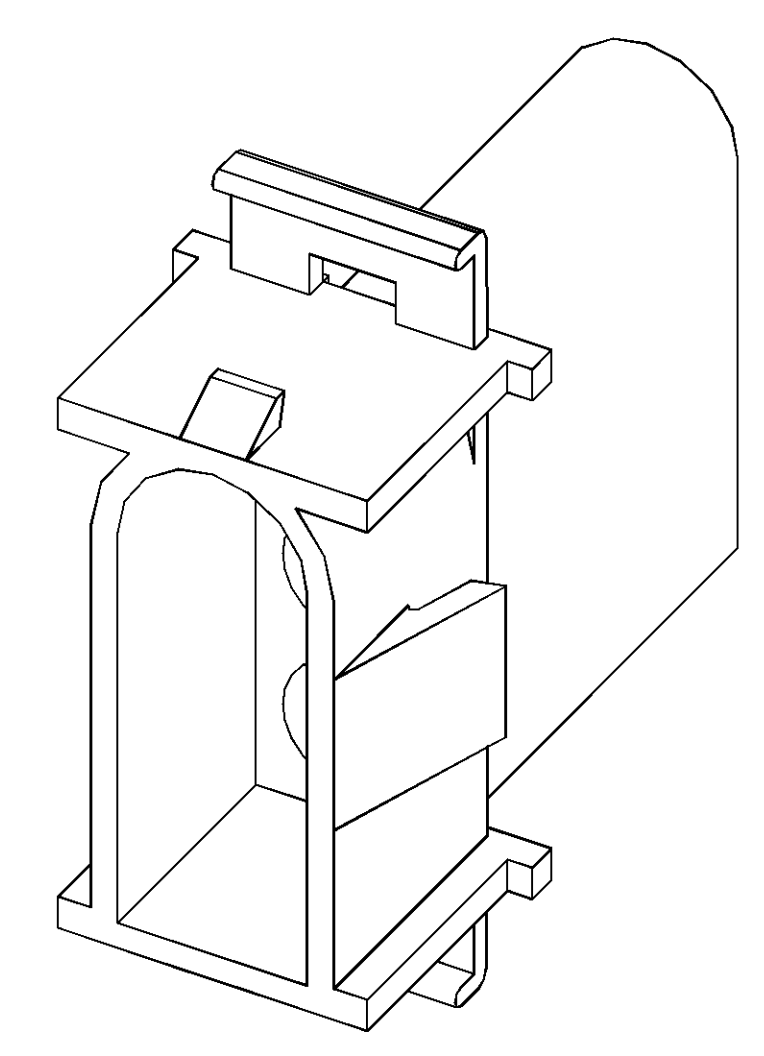
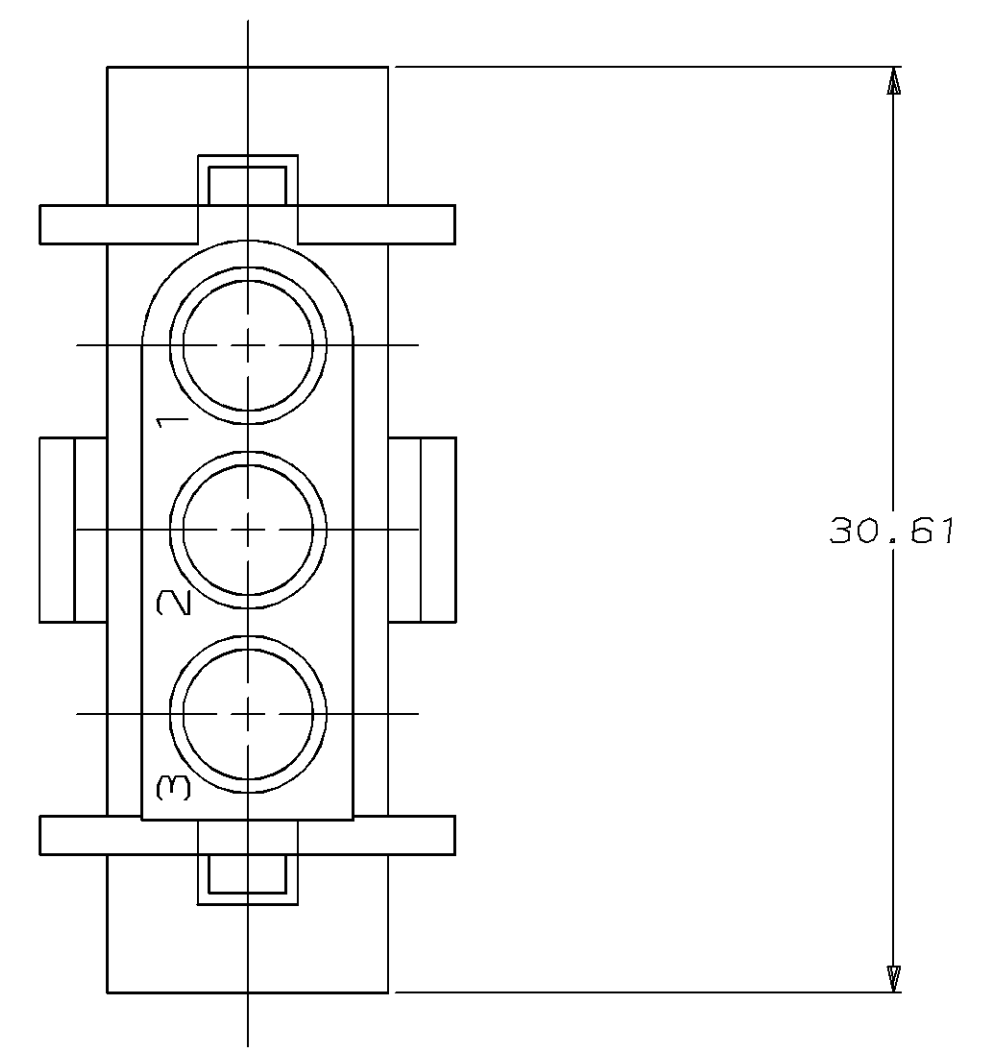
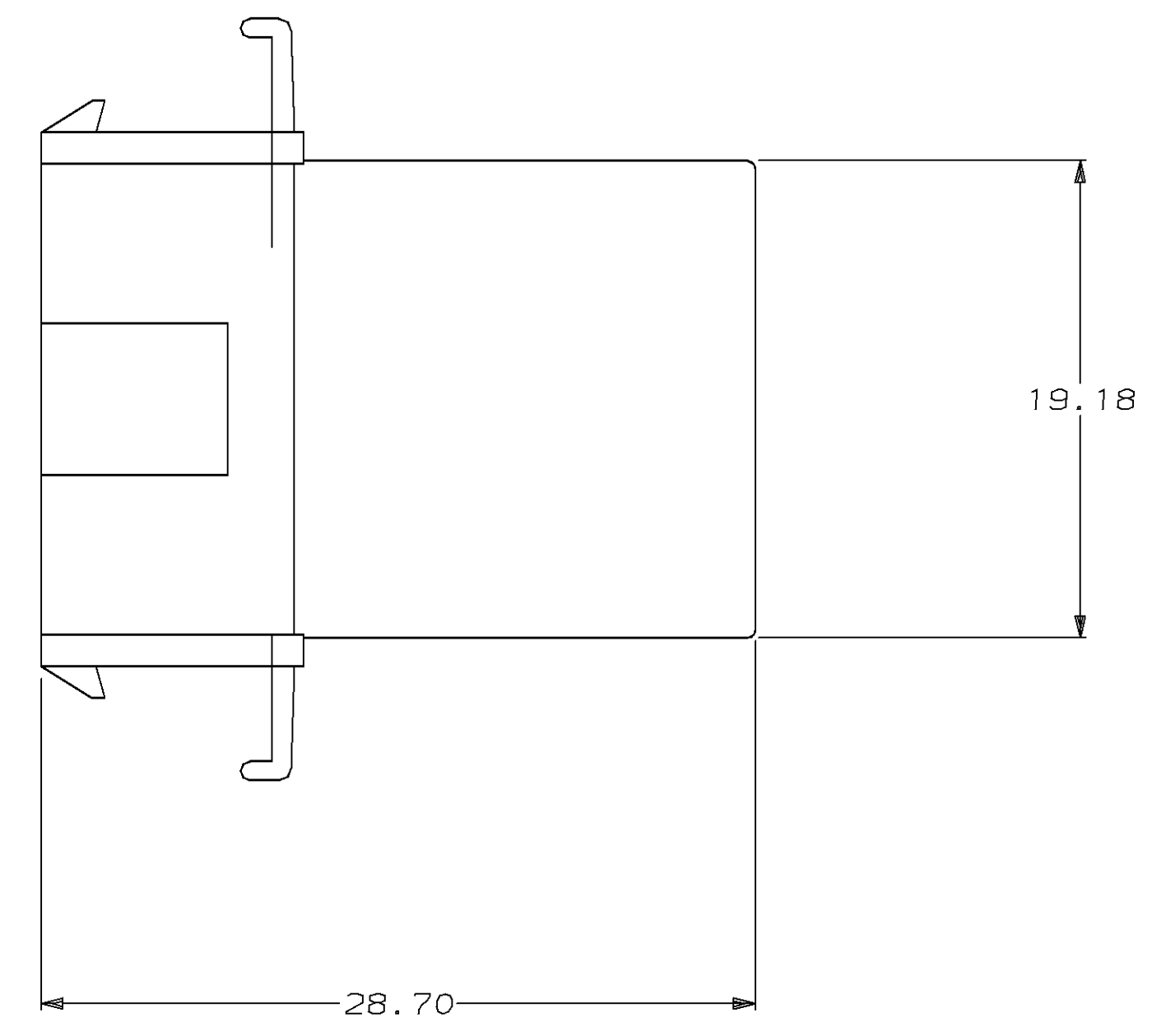
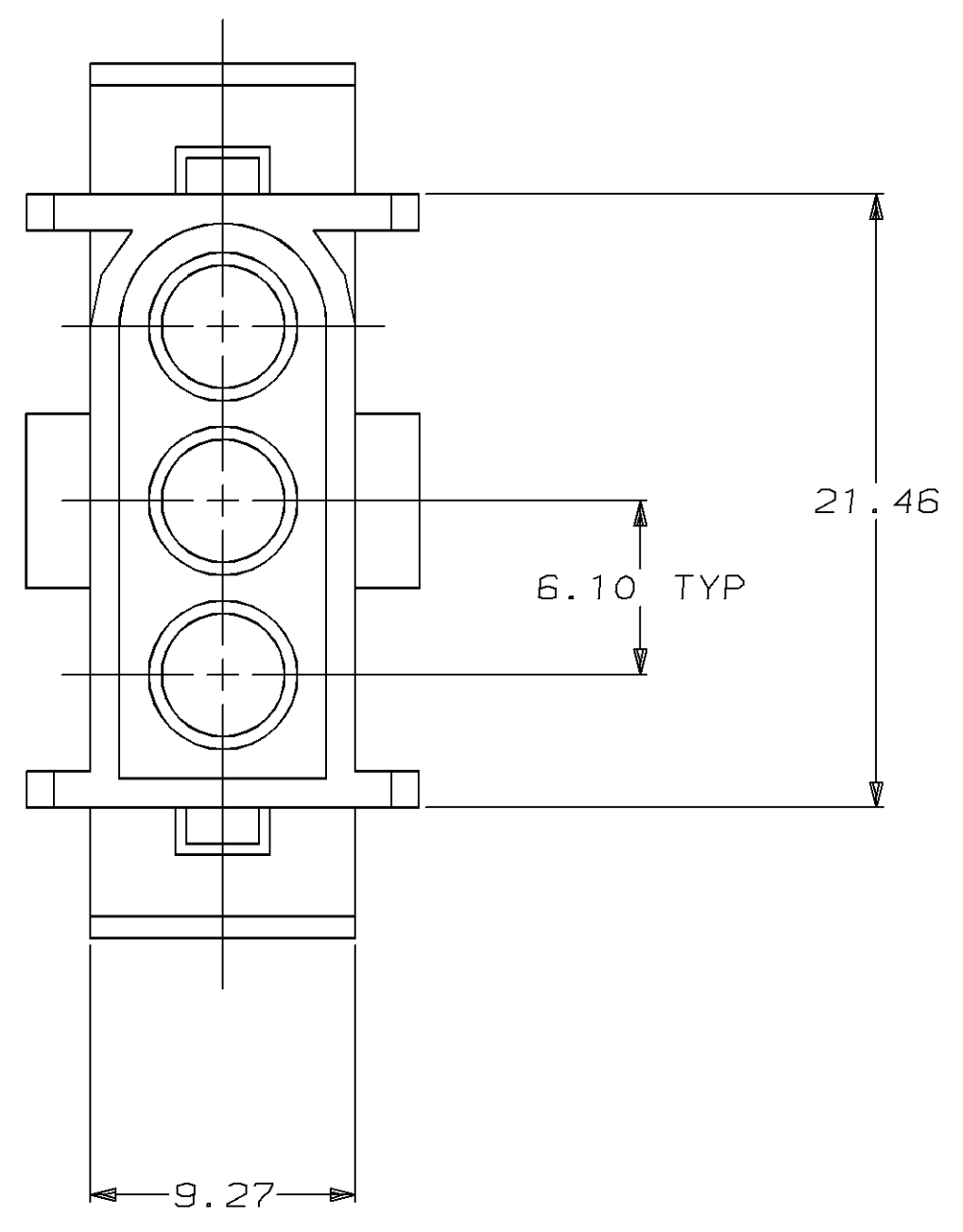
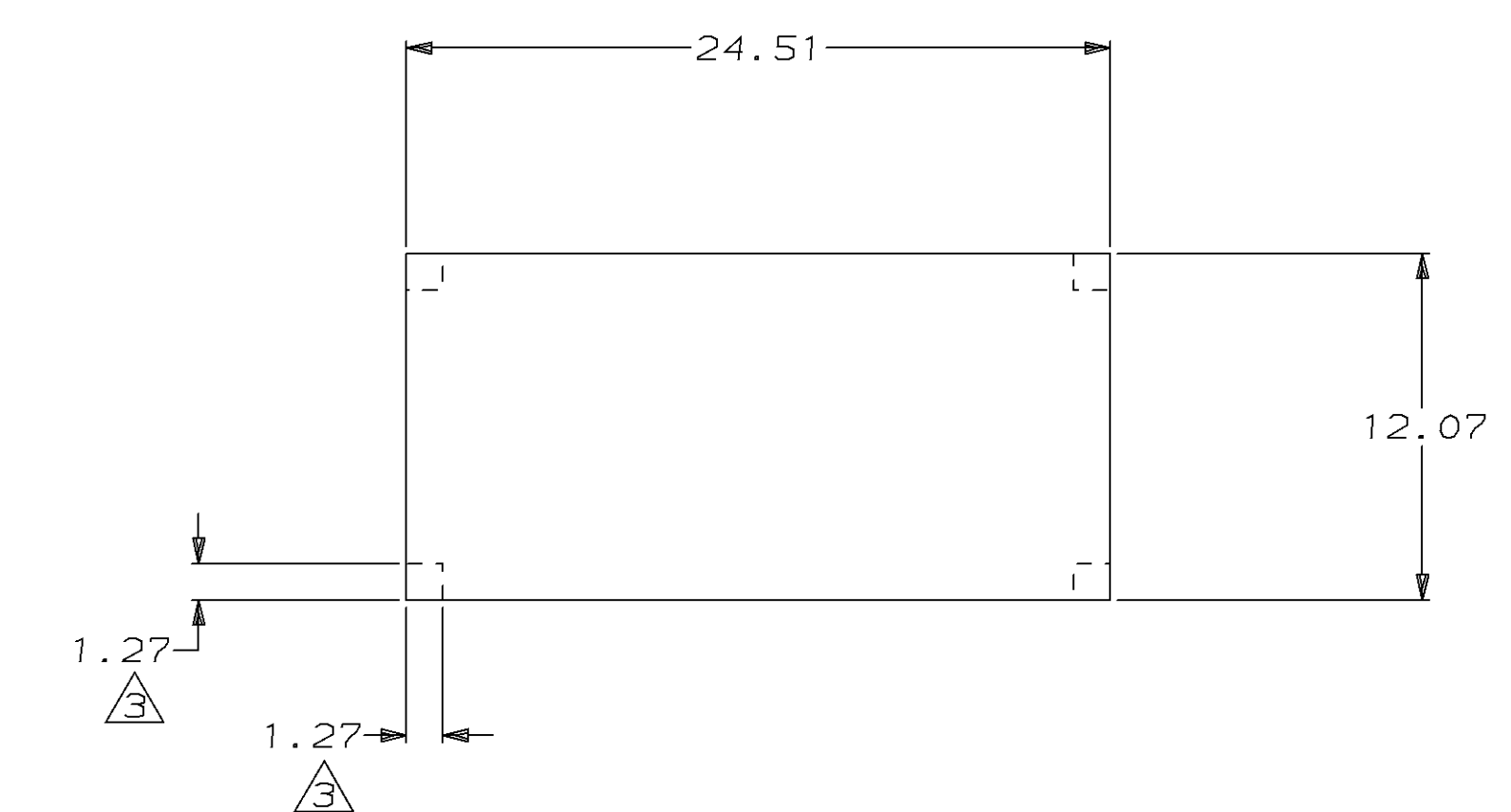
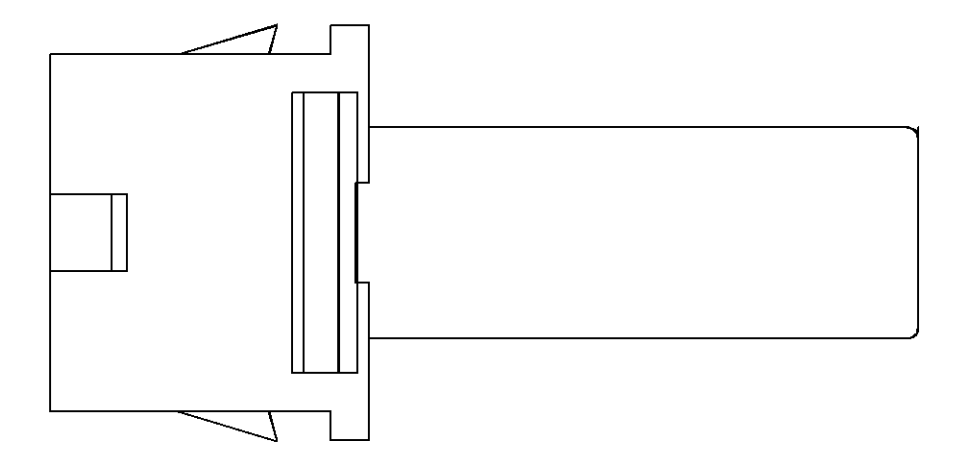


1. TO BE USED WITH .140 SERIES PINS.
2. TO BE USED WITH PLUG 794060.
3. 1.27 x 1.27 TABS IN CORNERS OF CUT-OUT ARE OPTIONAL TO REDUCE HOUSING FLOAT IN PANEL.



3-DIMENSIONAL MODEL
NTS



RECOMMENDED CUT OUT FOR
0.76 - 1.65 THICK PANEL

MM	IN	MM	IN	MM	IN
3.56	.140	21.46	.845	-	-
1.65	.065	19.18	.755	-	-
1.27	.050	12.07	.475	30.61	1.205
0.76	.030	9.27	.365	28.70	1.130
0.13	.005	6.10	.240	24.51	.965
MM	IN	MM	IN	MM	IN

CONVERSION TABLE



<small>THIS DRAWING IS A CONTROLLED DOCUMENT FOR AMP INCORPORATED. IT IS SUBJECT TO CHANGE AND THE CONTROLLING ENGINEERING REGULATION SHALL BE CONTACTED FOR THE LATEST REVISION.</small>		DSN: K. WHITAKER 4-18-95 DFE: R. SWING 4-18-95 PWD: C. MARTIN 4-25-95	AMP AMP Incorporated Harrisburg, PA 17105-3608
DIMENSIONS: mm 	TOLERANCES UNLESS OTHERWISE SPECIFIED: Ø PLG ±.010 PLG ±.013 PLG ±.015 ANGLE ±.005 FINISH -	PRODUCT SPEC: - APPLICATION SPEC: - WEIGHT: -	NAME: CAP, 3 CIRCUIT, .140 MATE-N-LOK™ SIZE: A1 CAGE CODE: 00779 DRAWING NO: C-794061
MATERIAL: NYLON, UL 94V-2, BLACK		CUSTOMER DRAWING	SCALE: 4:1 SHEET: 1 OF 1 REV: 0

794061-1
PART NUMBER

单击下面可查看定价，库存，交付和生命周期等信息

[>>TE Connectivity\(泰科\)](#)