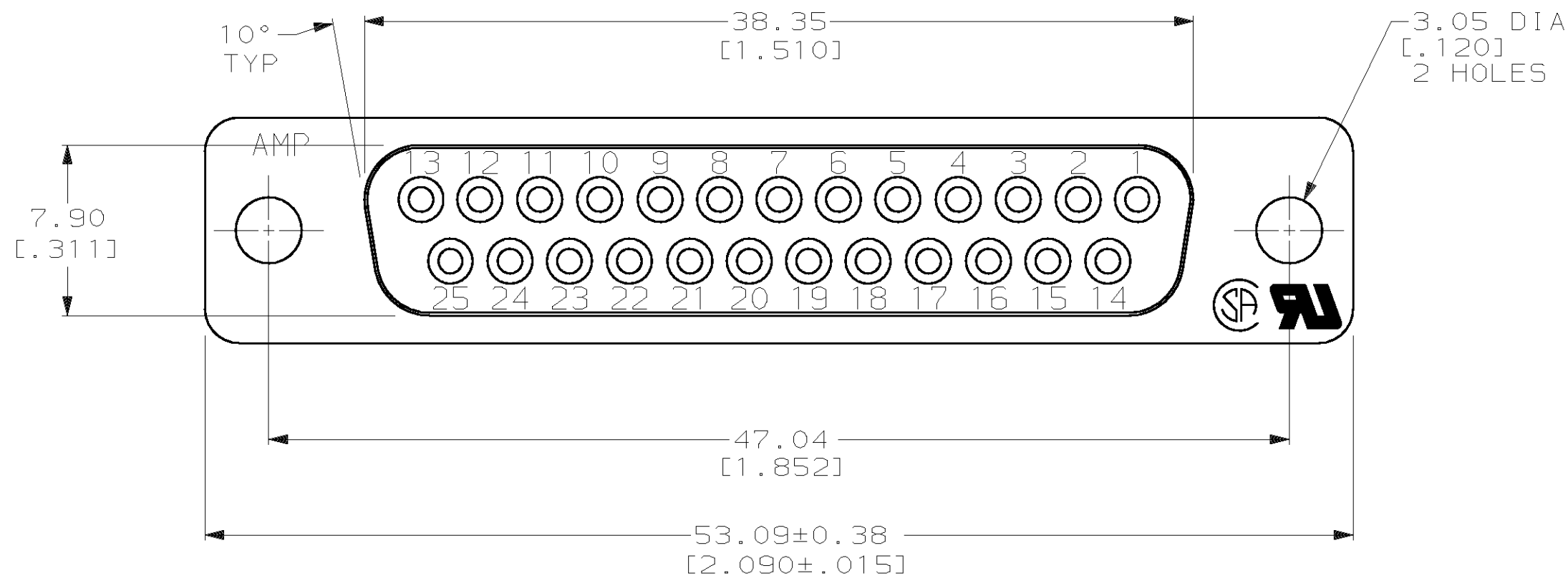
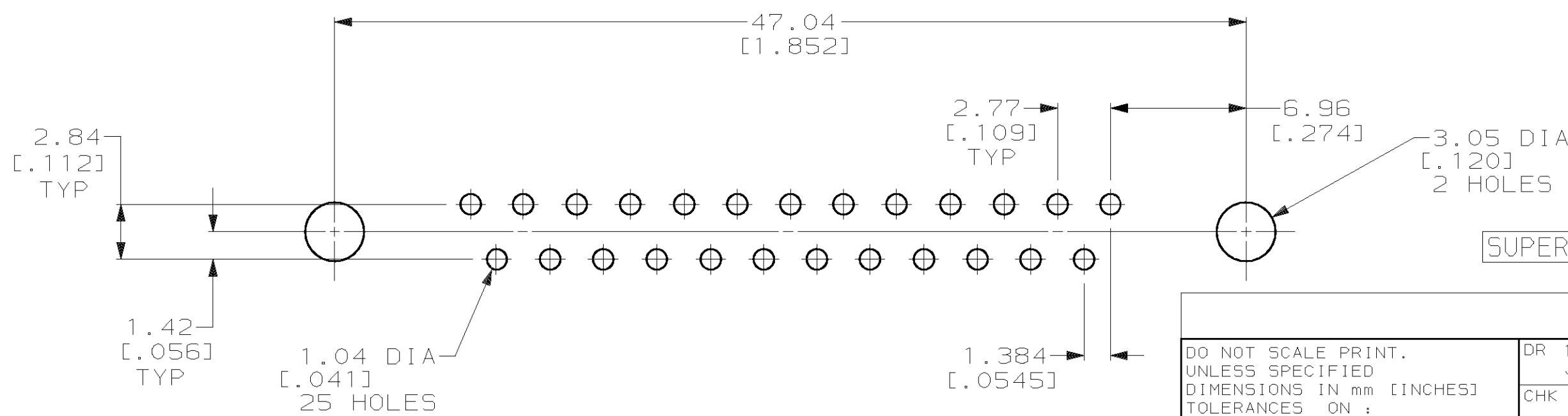
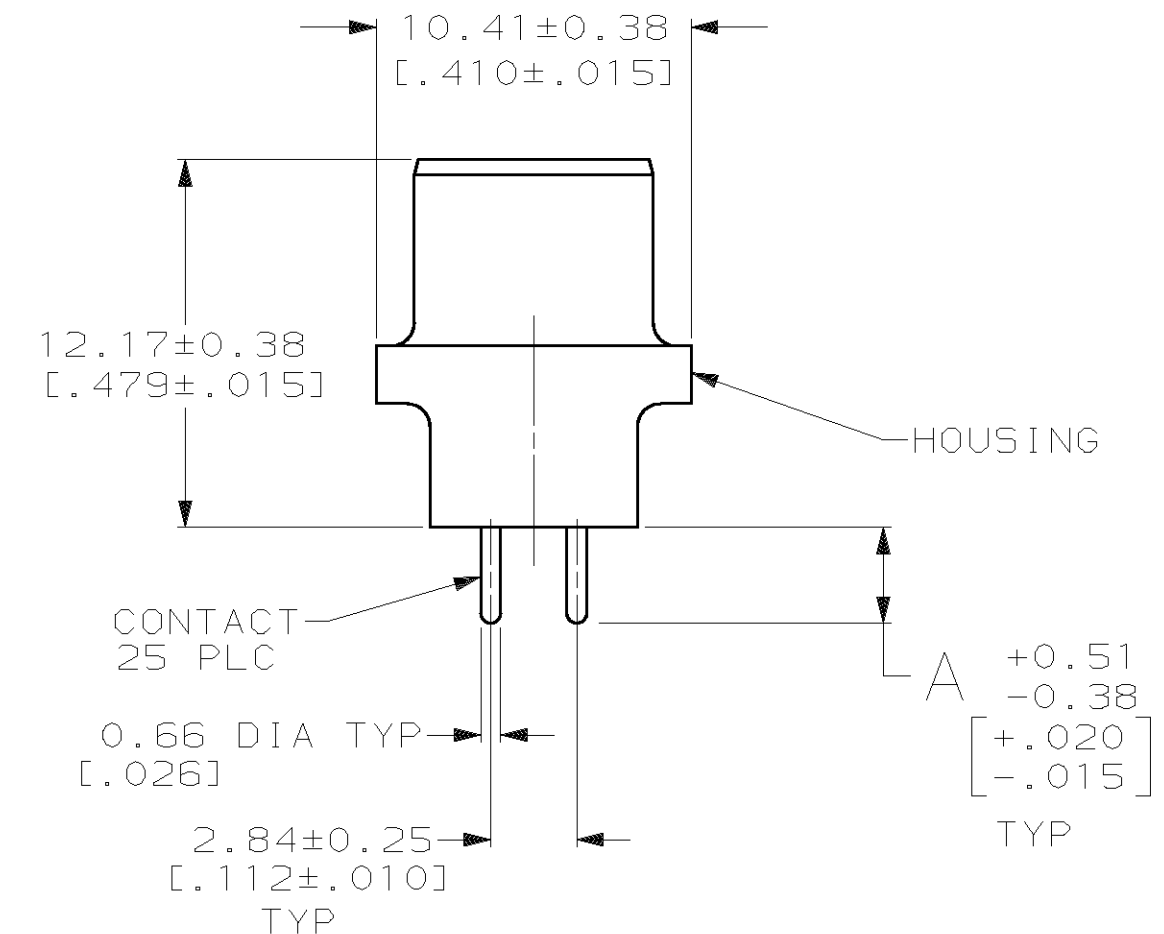
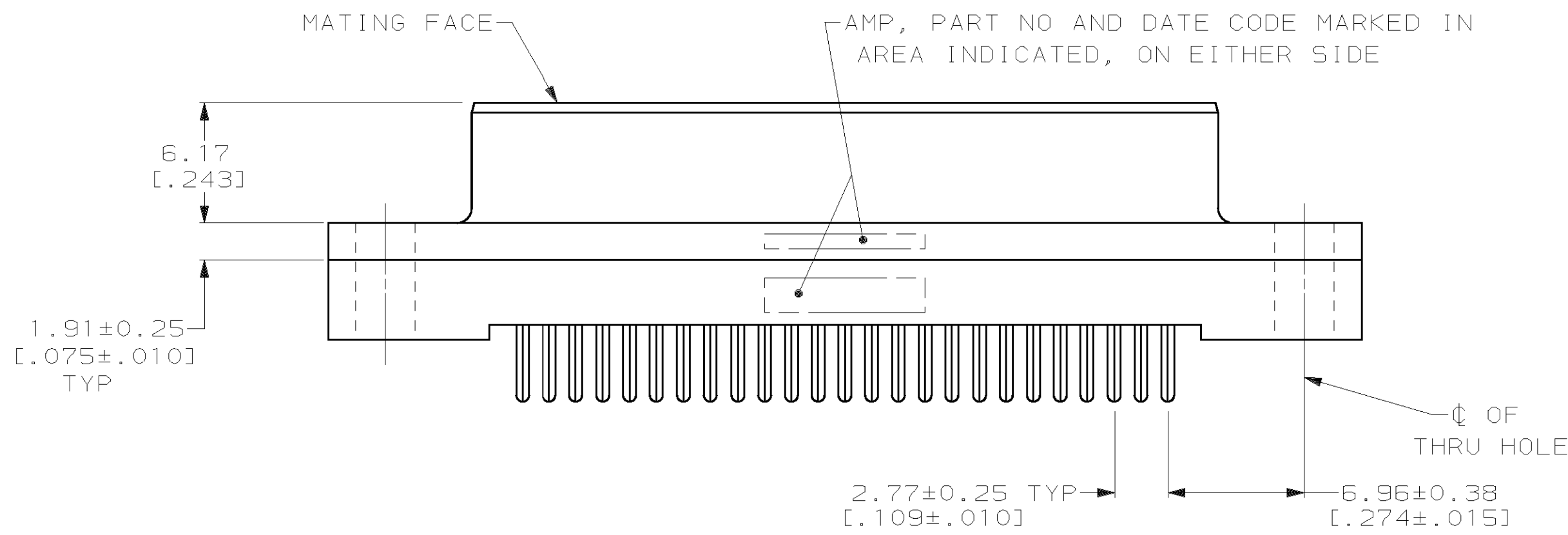


THIS DRAWING IS UNPUBLISHED. RELEASED FOR PUBLICATION .19 .
 © COPYRIGHT 19 BY AMP INCORPORATED. ALL INTERNATIONAL RIGHTS RESERVED.

LOC		DIST		P		F		ZONE		LTR		REVISIONS		DATE	APPD
GP	00											H	REVISED PER EC 0513-0017-03	12MAY03	JG



- ① HOUSING: BLACK POLYESTER, UL 94V-0 RATED; CONTACTS: PHOSPHOR BRONZE PER QQ-B-750.
- ② GOLD PLATING PER MIL-G-45204, TIN PLATING PER MIL-T-10727, NICKEL PLATING PER QQ-N-290.
- ③ GOLD FLASH FOR A LENGTH OF 3.81 [.150] MIN FROM MATING END, 2.54µm [.000100] MIN TIN OR TIN-LEAD FOR A LENGTH OF DIMENSION A FROM OPPOSITE END, ALL OVER 1.27µm [.000050] MIN NICKEL.
- ④ 0.76µm [.000030] MIN GOLD FOR A LENGTH OF 3.81 [.150] MIN FROM MATING END, 2.54µm [.000100] MIN TIN OR TIN-LEAD FOR A LENGTH OF DIMENSION A FROM OPPOSITE END, ALL OVER 1.27µm [.000050] MIN NICKEL.



OBSOLETE	6.35 [0.250]	④	207828-8
OBSOLETE	6.35 [0.250]	③	207828-7
OBSOLETE	4.32 [0.170]	④	207828-6
OBSOLETE	4.32 [0.170]	③	207828-5
	3.18 [0.125]	④	207828-4
	3.18 [0.125]	③	207828-3
SUPERSEDED BY 207828-6	3.56 [0.140]	④	207828-2
OBSOLETE	3.56 [0.140]	③	207828-1

RECOMMENDED PC BOARD MOUNTING DIMENSIONS

DO NOT SCALE PRINT. UNLESS SPECIFIED DIMENSIONS IN mm [INCHES] TOLERANCES ON:
 2 PLC DEC ± 0.13 [0.005]
 3 PLC DEC ± -
 ANGLES ± 2°

MATERIAL ①

FINISH ②
 CONTACT: SEE TABLE

DR 11-16-89
 J McCLINTON
 CHK 2-2-90
 R. STONE
 APPD 2-2-90
 S. SCHEFFERLY
 APPD 2-2-90
 C. ROHDE
 PRODUCT SPEC
 108-40025
 APPLICATION SPEC
 -
 WEIGHT -

AMP INCORPORATED Harrisburg, Pa. 17105		NAME	
		RECEPTACLE ASSEMBLY, SIZE 3, 25 POSN, VERTICAL, AMPLIMITE® HD-20	
SIZE	CAGE CODE	DRAWING NO	
C	00779	207828	
SCALE	4:1	SHEET 1 OF 1	

单击下面可查看定价，库存，交付和生命周期等信息

[>>TE Connectivity\(泰科\)](#)