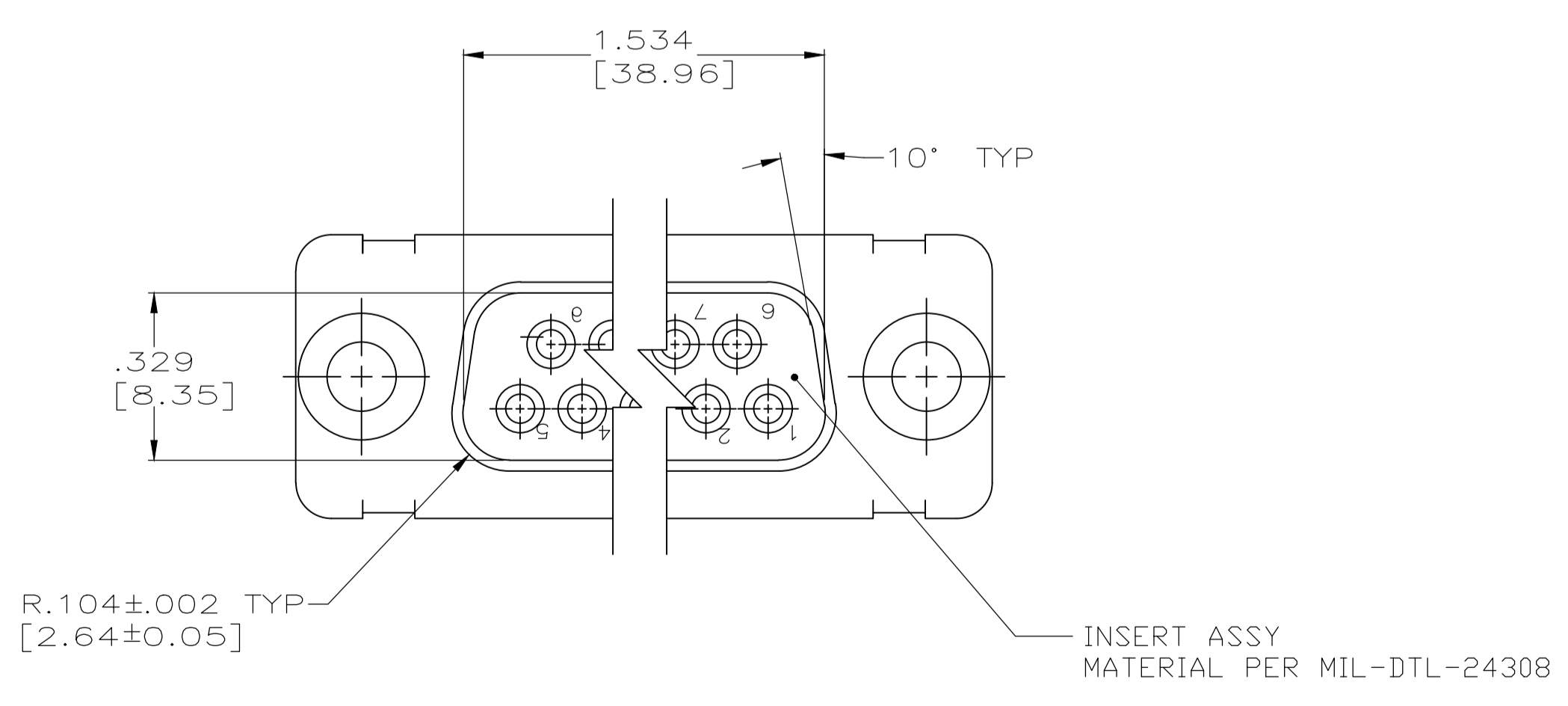
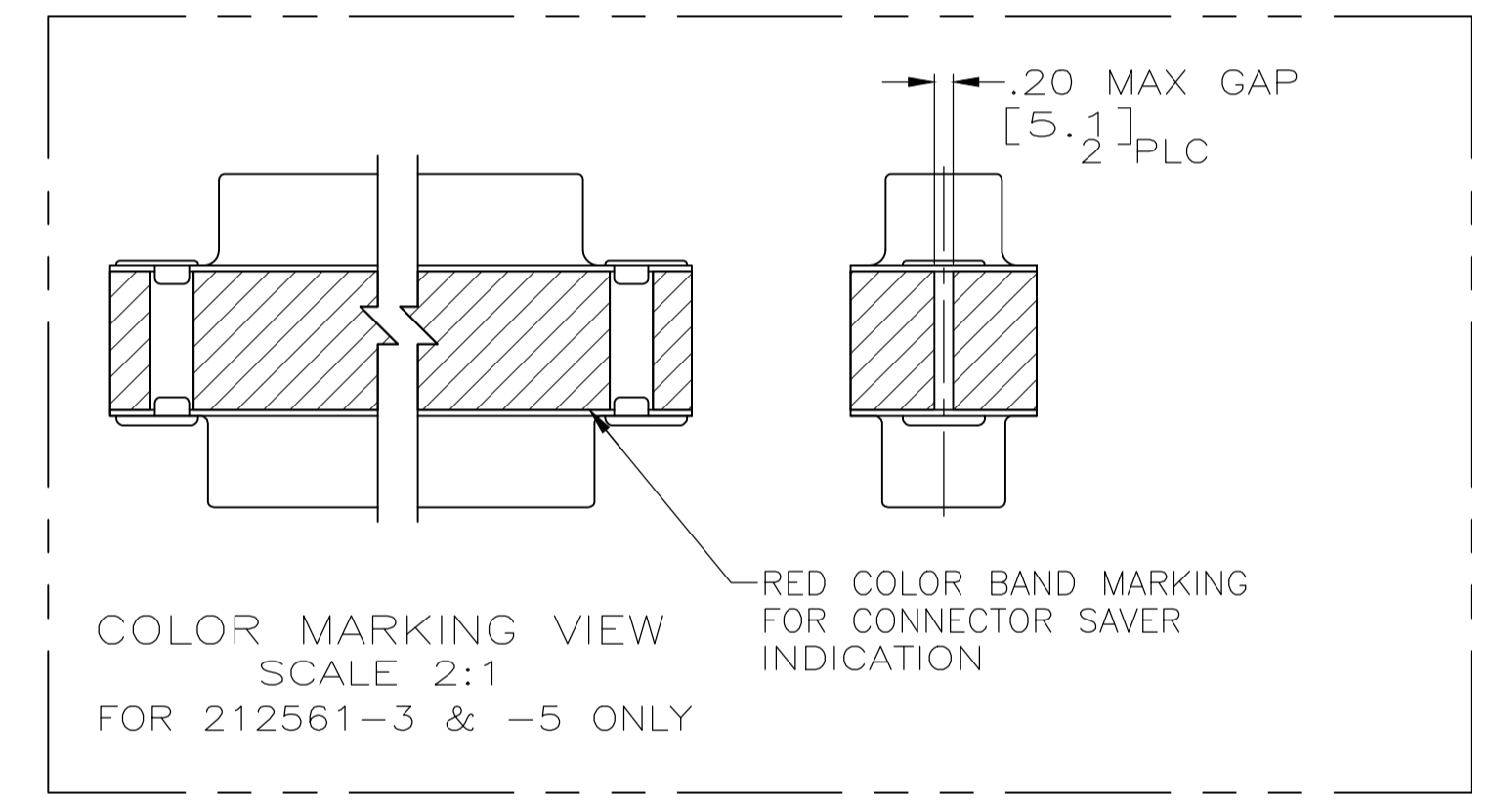
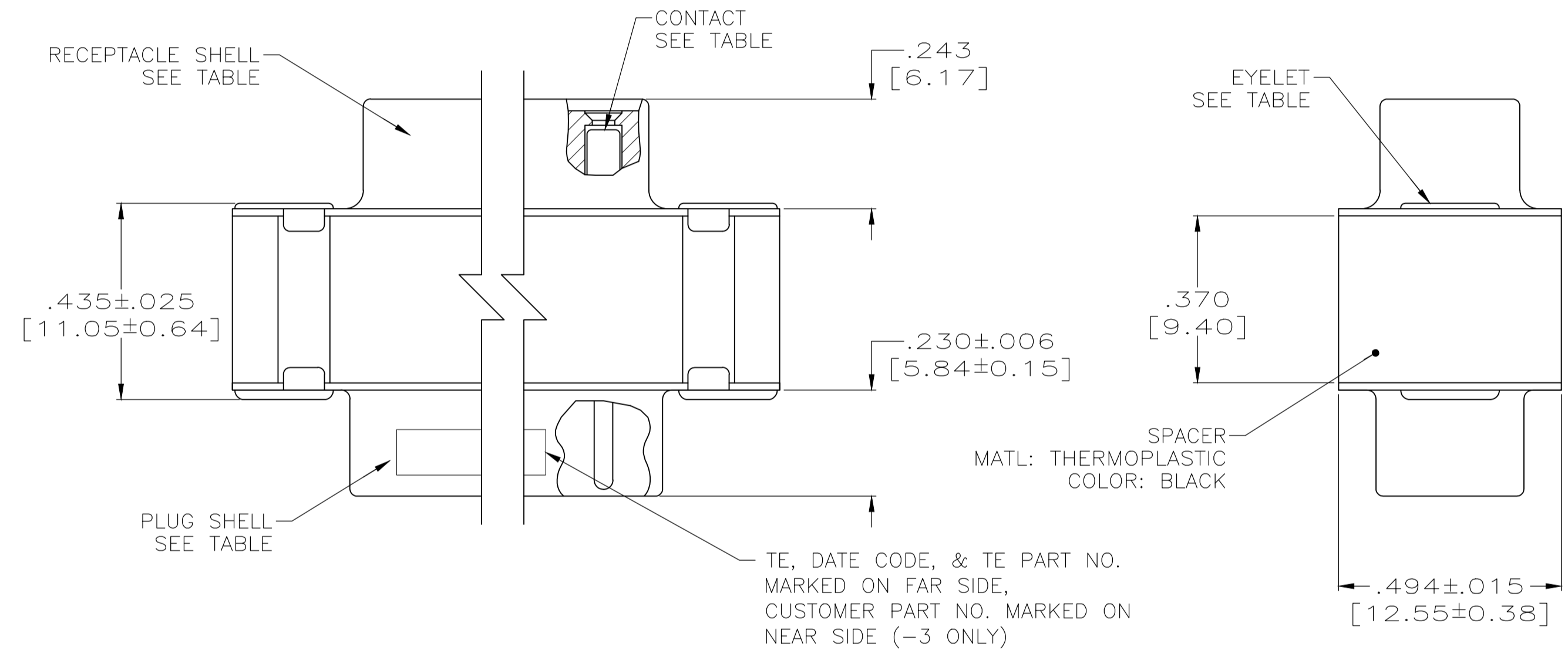
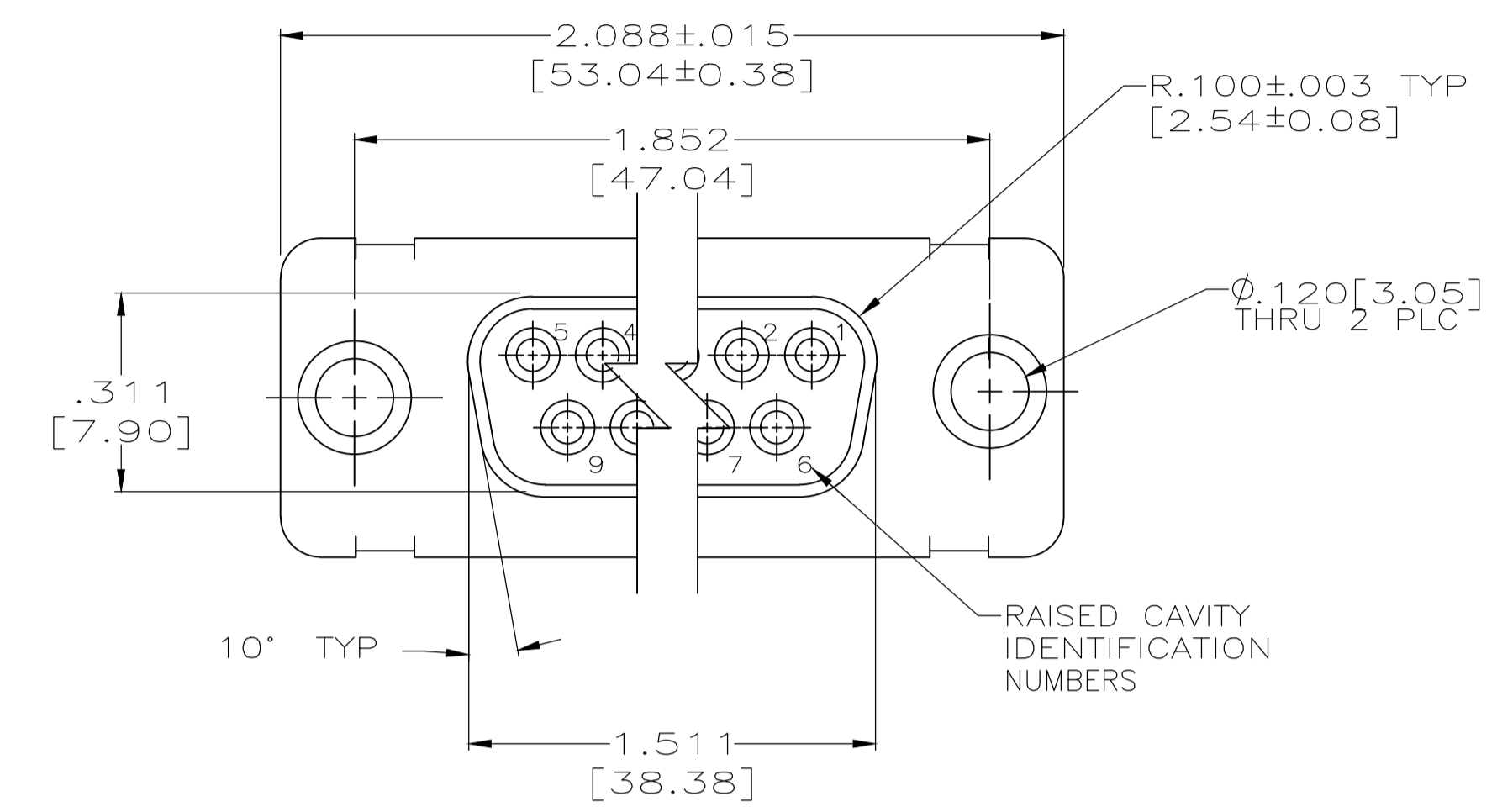


REVISIONS					
P	LTR	DESCRIPTION	DATE	DMN	APVD
T	REV PER ECO	19-019228	4-17-20	CT	DM



- 1. CONTACTS INCLUDED IN ASSEMBLY.
- △ MATL: STEEL, PER ASTM-A-109.
- △ FINISH: CADMIUM PER QQ-P-416.
- △ CONTACT
- BODY MATL: BERYLLIUM COPPER PER ASTM-B-197.
- BODY FINISH: PLATED GOLD, .000050 MIN THK PER MIL-G-45204 OVER NICKEL, .000050 MIN THK PER QQ-N-290.
- HOOD MATL: STAINLESS STEEL PER ASTM-A-167.
- HOOD FINISH: PASSIVATED PER ASTM-A-380
- △ FINISH: PLATED ZINC .00020 MIN THK PER ASTM-B-633. YELLOW CHROMATE FINISH.
- △ MATL: BRASS PER ASTM-B-36.
- △ FINISH: PLATED GOLD, .000050 MIN THK PER MIL-G-45204 OVER COPPER, .000100 MIN THK PER MIL-C-14550.
- △ CONTACT
- BODY MATL: BERYLLIUM COPPER PER ASTM-B-197.
- BODY AND HOOD FINISH: PLATED GOLD, .000050 MIN THK PER MIL-G-45204 OVER COPPER, .000100 MIN THK PER MIL-C-14550.
- HOOD MATL: BRASS PER ASTM-B-36
- △ FINISH: PLATED ZINC PER ASTM-B-633 .000200 MIN THK WITH SUPPLEMENTARY CHROMATE (Cr3+).

△ △	△ △	△	-	5-212561-1
△ △	△ △	△	PT2-111-9	212561-6
△ △	△ △	△	4U884 SOCN R10002677-0103	212561-5
△ △	△ △	△	-	212561-4
△ △	△ △	△	(1J02-103)	212561-3
△ △	△ △	△	-	212561-2
△ △	△ △	△	-	212561-1
EYELET	SHELLS	CONTACT	CUSTOMER P/N	PART NO.

THIS DRAWING IS A CONTROLLED DOCUMENT.		DIN T. THOMPSON 11-07-94		TE Connectivity																																					
DIMENSIONS: INCHES		TOLERANCES UNLESS OTHERWISE SPECIFIED:		NAME																																					
<table border="1"> <tr><td>0 PLC</td><td>±</td><td>-</td></tr> <tr><td>1 PLC</td><td>±</td><td>-</td></tr> <tr><td>2 PLC</td><td>±</td><td>-</td></tr> <tr><td>3 PLC</td><td>±</td><td>.005 [0.13]</td></tr> <tr><td>4 PLC</td><td>±</td><td>-</td></tr> <tr><td>ANGLES</td><td>±</td><td>-</td></tr> </table>		0 PLC	±	-	1 PLC	±	-	2 PLC	±	-	3 PLC	±	.005 [0.13]	4 PLC	±	-	ANGLES	±	-	<table border="1"> <tr><td>APVD</td><td>D. MANTIONE</td></tr> <tr><td>PRODUCT SPEC</td><td>-</td></tr> <tr><td>APPLICATION SPEC</td><td>-</td></tr> <tr><td>WEIGHT</td><td>0.000000</td></tr> <tr><td>CUSTOMER DRAWING</td><td>-</td></tr> </table>		APVD	D. MANTIONE	PRODUCT SPEC	-	APPLICATION SPEC	-	WEIGHT	0.000000	CUSTOMER DRAWING	-	<table border="1"> <tr><td>SIZE</td><td>A1</td></tr> <tr><td>CAGE CODE</td><td>00779</td></tr> <tr><td>DRAWING NO</td><td>212561</td></tr> <tr><td>RESTRICTED TO</td><td>-</td></tr> </table>		SIZE	A1	CAGE CODE	00779	DRAWING NO	212561	RESTRICTED TO	-
0 PLC	±	-																																							
1 PLC	±	-																																							
2 PLC	±	-																																							
3 PLC	±	.005 [0.13]																																							
4 PLC	±	-																																							
ANGLES	±	-																																							
APVD	D. MANTIONE																																								
PRODUCT SPEC	-																																								
APPLICATION SPEC	-																																								
WEIGHT	0.000000																																								
CUSTOMER DRAWING	-																																								
SIZE	A1																																								
CAGE CODE	00779																																								
DRAWING NO	212561																																								
RESTRICTED TO	-																																								
SCALE 4:1		SHEET 1 OF 1		REV T																																					

单击下面可查看定价，库存，交付和生命周期等信息

[>>TE Connectivity\(泰科\)](#)