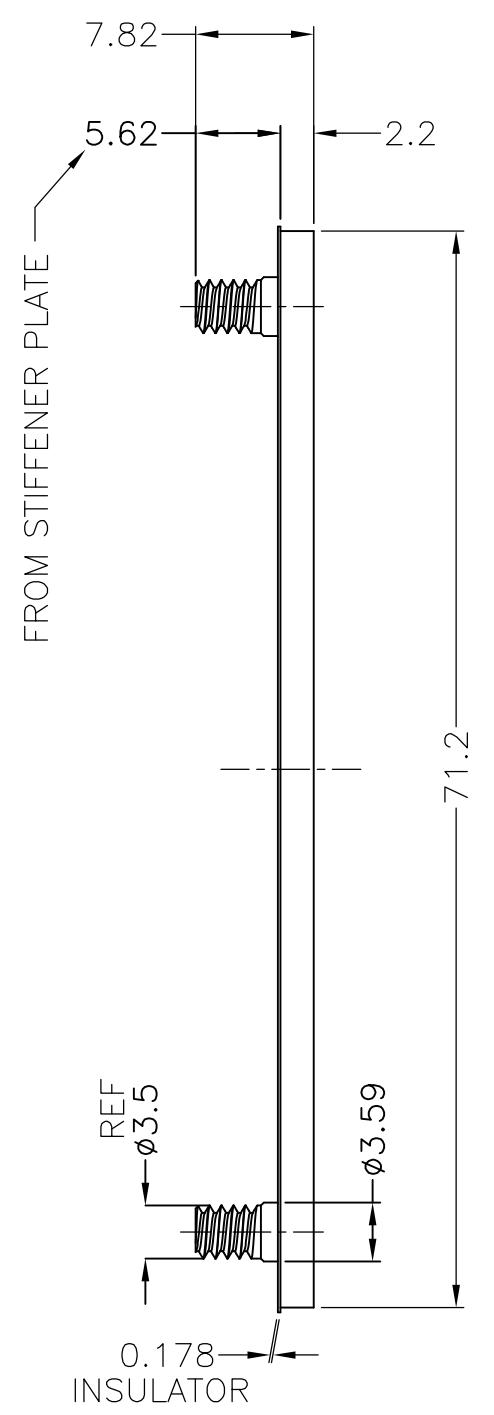
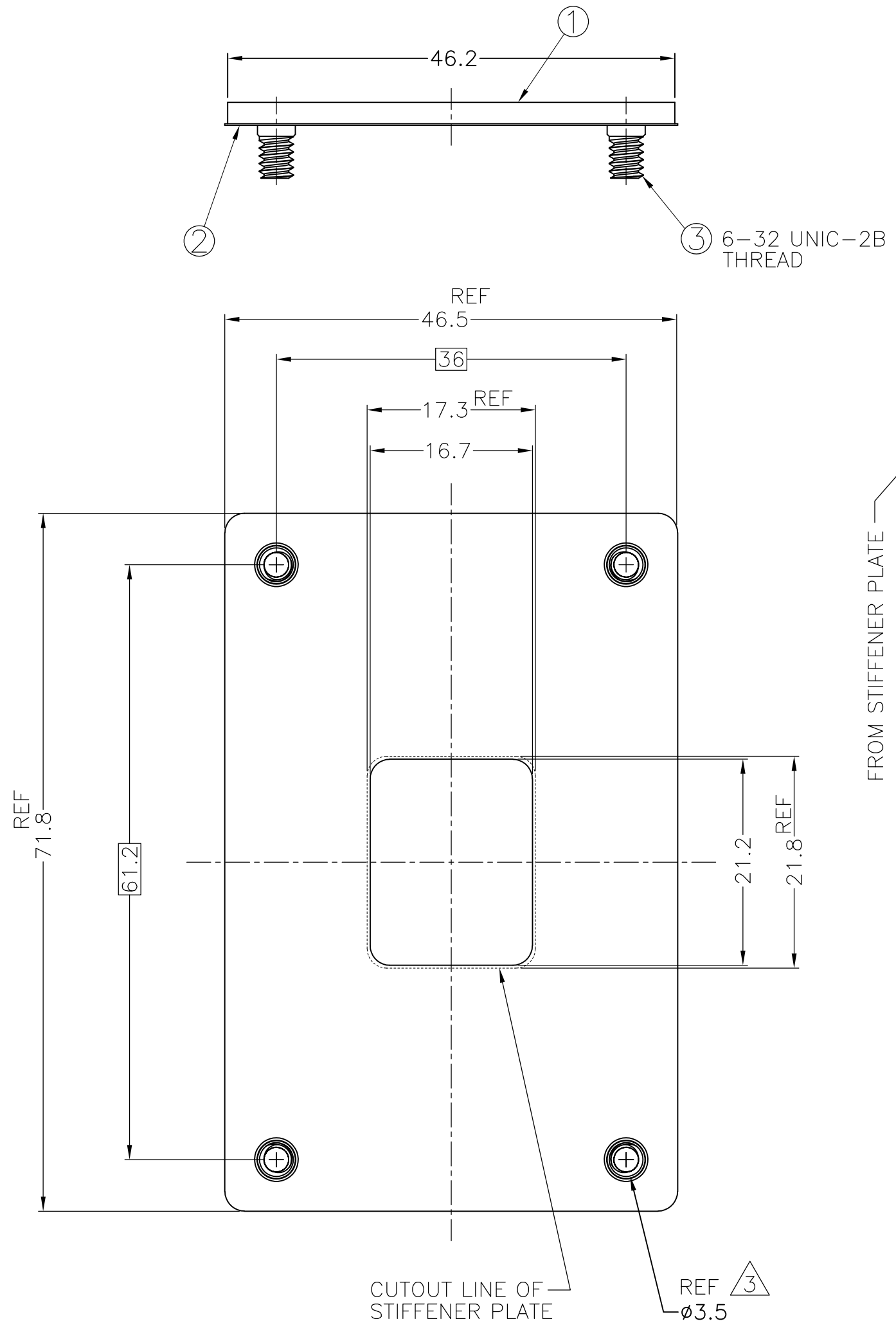
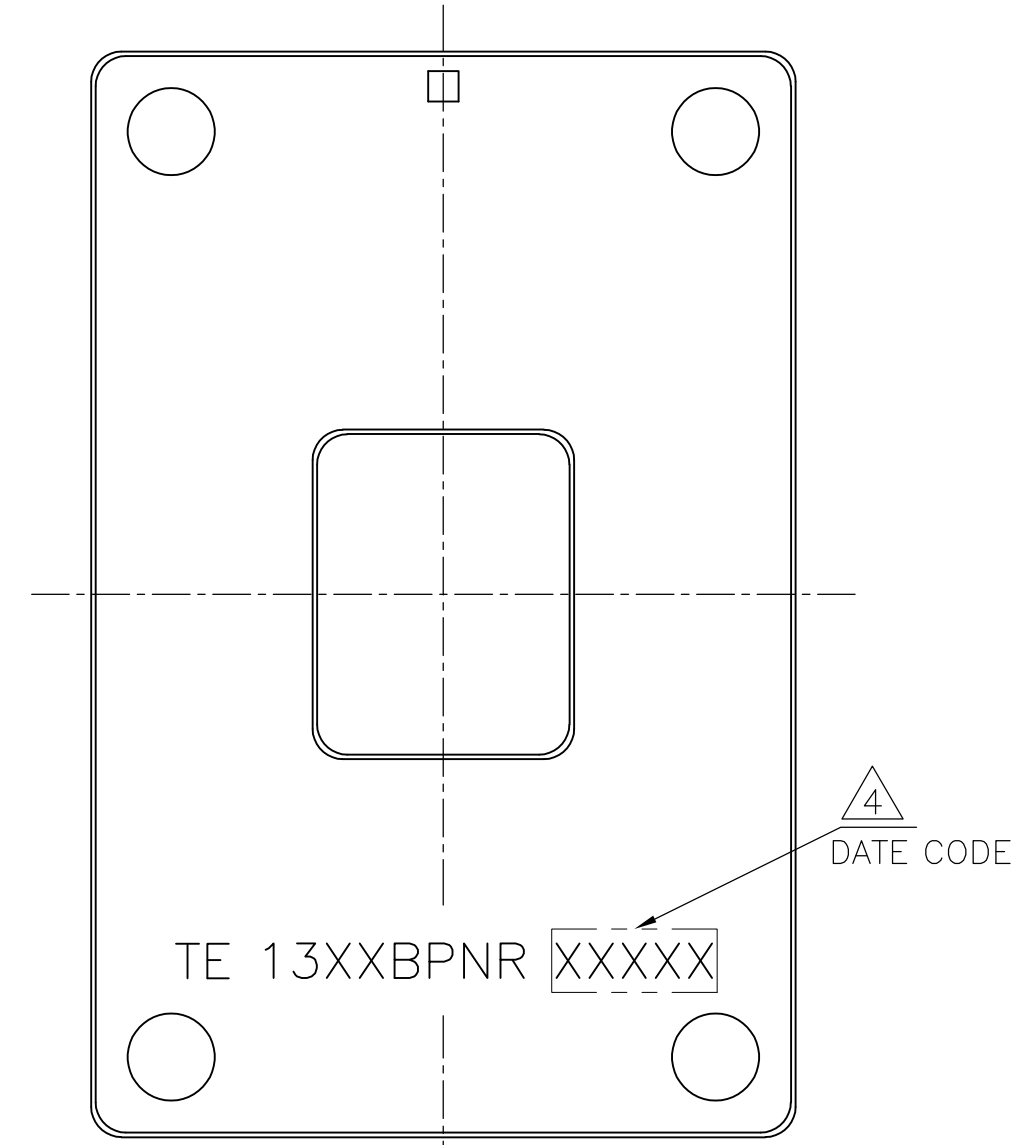


THIS DRAWING IS UNPUBLISHED. RELEASED FOR PUBLICATION
 © COPYRIGHT BY TYCO ELECTRONICS CORPORATION. ALL INTERNATIONAL RIGHTS RESERVED.

LOC		DIST		REVISIONS			
P	LTR	DESCRIPTION		DATE	DWN	APVD	
	H	REVISED		27SEP'10	S.A	S.H	



- MATERIAL
 - ① STIFFENER PLATE: STEEL
FINISH: NICKEL PLATING
 - ② INSULATOR: POLYCARBONATE FILM PLUS ACRYLIC ADHESIVE LAYER
SOCKET ASSY LGA1366 OR SOCKET ASSY LGA1356
(DRAWING NUMBER: 1981837 OR 1554116)
 - ③ STUD BOLT: STEEL
FINISH: NICKEL PLATING
- ASSEMBLED WITH ILM ASSY (DRAWING NUMBER: 1939738)
 - △③ THE STUD BOLTS SHALL BE ADAPTED TO PCB LAYOUT FOR SOCKET ASSY LGA1366 OR SOCKET ASSY LGA1356 (DRAWING NUMBER: 1981837 OR 1554116)
 - △④ INDICATED DATE CODE ON THE STIFFENER PLATE



1939739-1
PART NUMBER

THIS DRAWING IS A CONTROLLED DOCUMENT.		DWN H.TAGUCHI 17DEC2008	Tyco Electronics Corporation Kawasaki, Japan	
DIMENSIONS: 单位: 毫米 mm		CHK S.HASHIMOTO 17DEC2008		
TOLERANCES UNLESS OTHERWISE SPECIFIED: 一般公差		APVD S.HASHIMOTO 17DEC2008	NAME 名称 STIFFENER PLATE (DESK TOP BACKPLATE) LGA13XX	
0 PLC ± 1 PLC ± ±0.3 2 PLC ± ±3 3 PLC ± 4 PLC ± ANGLES ±		PRODUCT SPEC 製品規格	SIZE A2	CAGE CODE 00779
MATERIAL 材料		APPLICATION SPEC 取付適用規格	DRAWING NO 番号 C=1939739	RESTRICTED TO
FINISH 仕上		WEIGHT 52g	SCALE 尺度 2:1	SHEET 1 OF 1
		CUSTOMER DRAWING	REV H	

1939739-1 : AS SHOWN

单击下面可查看定价，库存，交付和生命周期等信息

[>>TE Connectivity\(泰科\)](#)