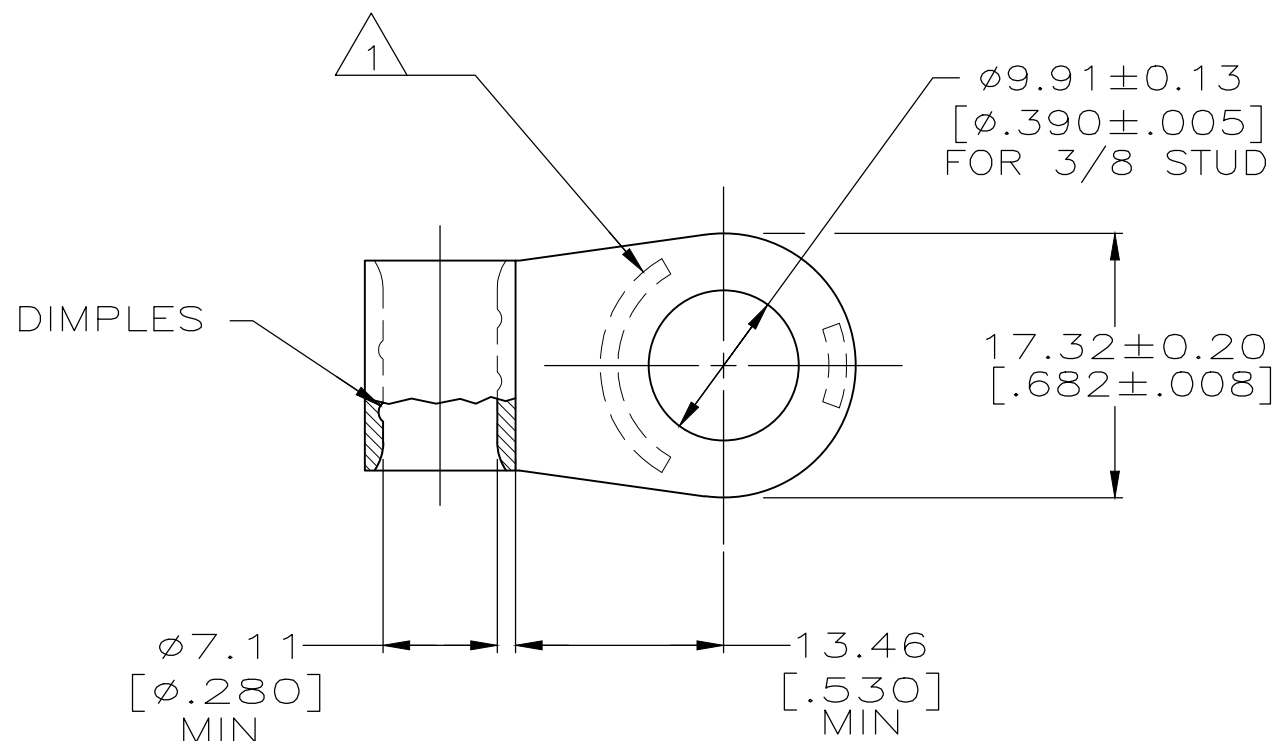


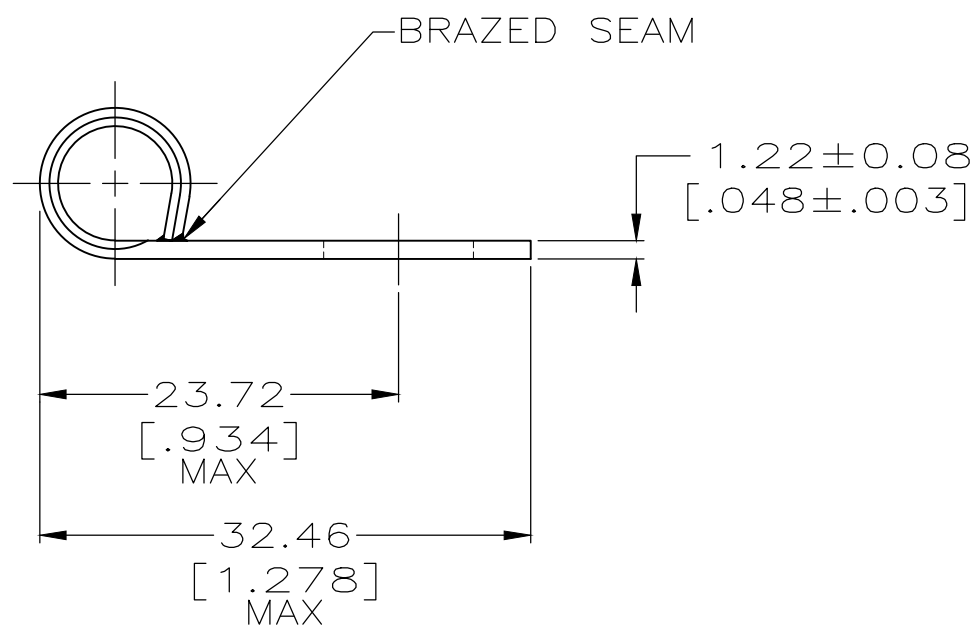
THIS DRAWING IS UNPUBLISHED. RELEASED FOR PUBLICATION  
 © COPYRIGHT - By - ALL RIGHTS RESERVED.

REVISIONS					
P	LTR	DESCRIPTION	DATE	DWN	APVD
C1		REVISED PER ECO-10-020469	09OCT10	HMR	DR
C2		REVISED PER ECR-17-001490	07FEB2017	RS	DR



<b>AMP</b> WIRE RANGE	E13288 Listed
4 AWG SOLID OR STRANDED	4 AWG STRANDED
LR7189 Certified	MILITARY P/N AND CLASS
4 AWG SOLID OR STRANDED	NOT APPLICABLE

- 1 STAMP AMP 4W\* 40-50 APPROX AS SHOWN.
- 2 FINISH: TIN PLATE 0.00254[.000100] MIN EXT THK PER ASTM B545.
- 3 FINISH: NICKEL PLATE 0.00762[.000300] MIN EXT THK PER SAE AMS QQ-N-290.



PRELIMINARY	100	LOOSE PIECE	3	343°C [649°F]	1-321121-0
	100	LOOSE PIECE	2	170°C [338°F]	321121
	QTY	PACKAGE TYPE	FINISH	RECOMMENDED OPERATING TEMPERATURE	AMP PART NUMBER

# AMP INCORPORATED CUSTOMER SERVICE SYSTEMS

FOR ADDITIONAL PRODUCT INFORMATION OR COPIES OF DRAWINGS AND TECHNICAL DOCUMENTS	PRODUCT INFORMATION CENTER 1-800-522-6752	RECOMMENDED OPERATING TEMPERATURE: SEE TABLE
FOR APPLICATION TOOLING INFORMATION	TOOLING ASSISTANCE CENTER 1-800-722-1111	VOLTAGE RATING: NOT APPLICABLE
FOR ORDER ENTRY	1-800-526-5142	WIRE CROSS SECTIONAL AREA RANGE: 16.8-26.7mm <sup>2</sup> [33,100-52,600] CIR MILS SOLID OR STRANDED

THIS DRAWING IS A CONTROLLED DOCUMENT.		DWN DK SCHRUM 15OCT97	TE Connectivity		
DIMENSIONS: mm [INCHES]		CHK MJ SPICER 15OCT97			
TOLERANCES UNLESS OTHERWISE SPECIFIED:		APVD JL MECKLEY 15OCT97	NAME TERMINAL, RING TONGUE, FLAG, SOLISTRAND™ AND STRATO-THERM 4 AWG.		
0 PLC ± -		PRODUCT SPEC	SIZE	CAGE CODE	DRAWING NO
1 PLC ± -		APPLICATION SPEC	A300779		RESTRICTED TO
2 PLC ± 0.20[.008]		WEIGHT	C-321121		SCALE
3 PLC ± -		CUSTOMER DRAWING	2:1		SHEET
4 PLC ± -			1 OF 1		REV
ANGLES ± -			C2		
MATERIAL COPPER PER ASTM B-152 ANNEALED		FINISH SEE TABLE			

单击下面可查看定价，库存，交付和生命周期等信息

[>>TE Connectivity\(泰科\)](#)