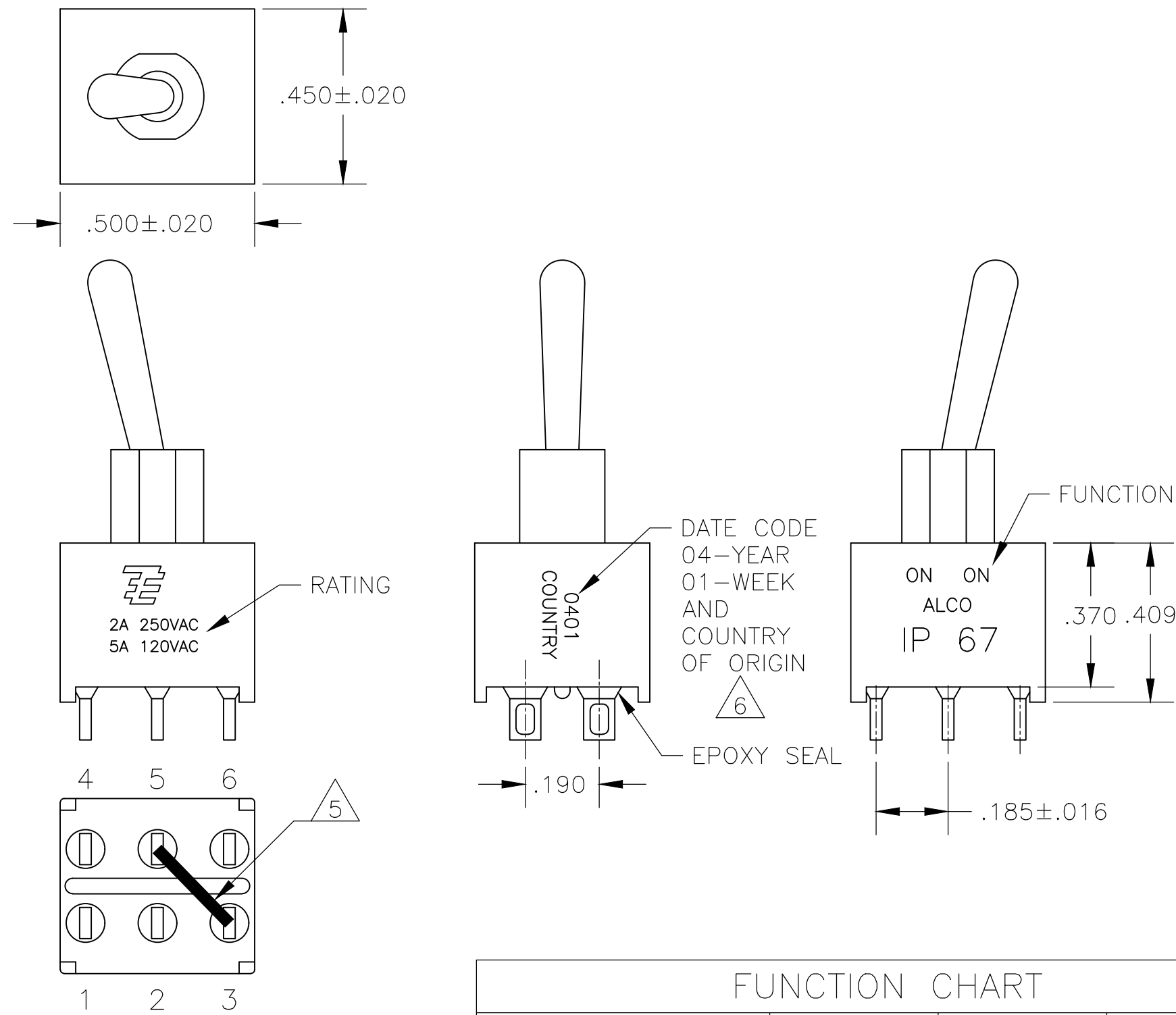


THIS DRAWING IS UNPUBLISHED. RELEASED FOR PUBLICATION  
 © COPYRIGHT - By - ALL RIGHTS RESERVED.

REVISIONS					
P	LTR	DESCRIPTION	DATE	DWN	APVD
A6		ECR-16-017266	01JUN2018	SR	PO



- 1 ALL MATERIALS AND FINISHES SHALL COMPLY WITH EU DIRECTIVE 2002/95/EC OF 27JAN2003 (ROHS).
- 2 G CONTACT OPTION CAN BE USED FOR SIGNAL OR POWER LEVEL SWITCHING. IF SWITCH IS USED AT LEVELS EXCEEDING .4VA @ 20V AC/DC, SWITCH IS RENDERED FOR POWER SWITCHING ONLY DUE TO ARC REMOVAL OF GOLD PLATING. RATING MARKED ON SWITCH IS 2A 250VAC, 5A 120 VAC.
- 3 SWITCHES MEETS REQUIREMENTS OF IP67.
- 5 SP3T FUNCTION ACHIEVED WITH FUNCTIONS 11, 13 & 15 BY CUSTOMER APPLIED JUMPER BETWEEN TERMINALS 3 AND 5.
- 6 DATE CODE AND COUNTRY OF ORIGIN MAY APPEAR ON EITHER SIDE OF SWITCH.
- 7 ALL LOGO, RATING, DATE CODE, AND FUNCTION MARKINGS TO BE LASER MARKED.

SPECIFICATIONS CHART	
RATING, B CONTACTS	.4VA MAX @20V MAX. AC OR DC
RATING, G CONTACTS--SEE NOTE 2	.4VA MAX @20V MAX. AC OR DC OR 5A @120 VAC OR 28 VDC (RESISTIVE)
	2A @250 VAC (RESISTIVE)
RATING, Q CONTACTS	5A @120 VAC OR 28 VDC (RESISTIVE)
	2A @250 VAC (RESISTIVE)
ELECTRICAL LIFE	6,000 CYCLES AT RATED LOAD
CONTACT RESISTANCE	10 MILLIOHMS MAX INITIAL @ 2-4VDC, 100ma
INSULATION RESISTANCE	1,000 MEGOHMS MIN
DIELECTRIC WITHSTANDING VOLTAGE	1,000 V RMS AT SEA LEVEL
OPERATING TEMPRATURE	-30C TO 85C

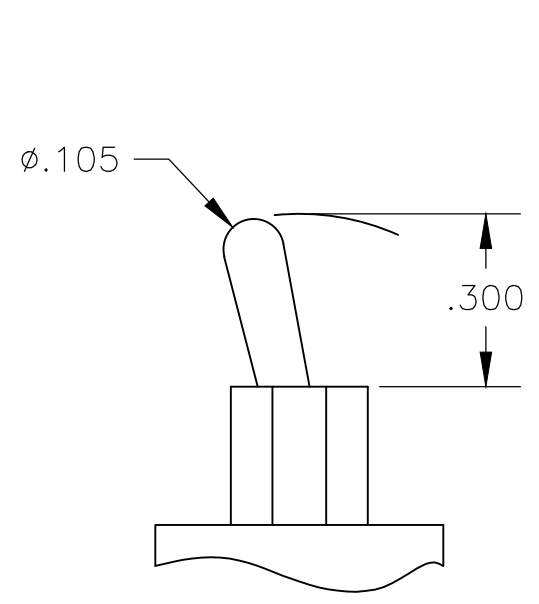
FUNCTION CHART			
FUNCTION	1 2 3 4 5 6	1 2 3 4 5 6	1 2 3 4 5 6
01	ON	NONE	ON
03	ON	OFF	ON
05	(ON)	OFF	(ON)
07	ON	OFF	(ON)
08	ON	NONE	(ON)
TERMINALS CONNECTED	2-3, 5-6	---	1-2, 4-5
11	ON	ON	ON
13	ON	ON	(ON)
15	(ON)	ON	(ON)
TERMINALS CONNECTED	2-3, 5-6	2-3, 4-5	1-2, 4-5
SP3T SCHEMATIC (11, 13 & 15 ONLY) SEE NOTE 6			
	IN 2, OUT 6	IN 2, OUT 4	IN 2, OUT 1
None: No mechanical position Off: Mechanical position with no electrical connection (On): Momentary action			

PART NUMBER SEQUENCE CHART						
MODEL	FUNCTION	TOGGLE	BUSHING	TERMINAL	CONTACT	RoHS
EXAMPLE: AE201MD1AB04	01	M	D1	A	B	04
	03	S		AV2	G	
	05			C	Q	
	07			V30		
	08			V40		
	11			W		
	13			W4		
	15			Z		
				Z3		

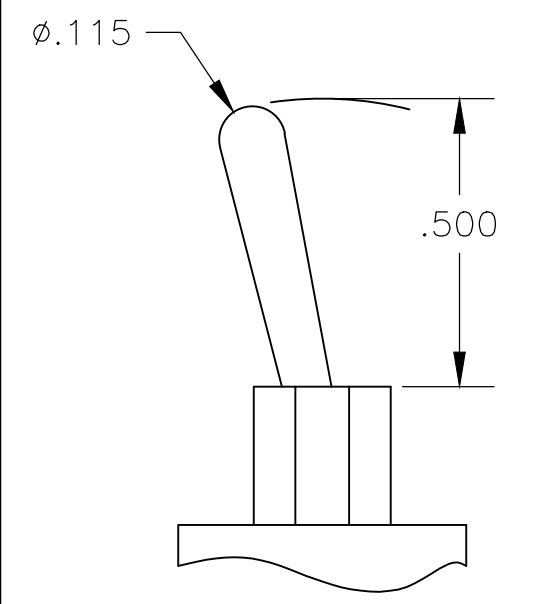
THIS DRAWING IS A CONTROLLED DOCUMENT.		DWN M. ZITTO 23MAY05			GEMINI AE SERIES TOGGLE SWITCH, DOUBLE POLE	
DIMENSIONS: INCHES		CHK M. ZITTO				
TOLERANCES UNLESS OTHERWISE SPECIFIED:		APVD M. ZITTO	NAME		RESTRICTED TO	
0 PLC ± -		PRODUCT SPEC	SIZE		A2	
1 PLC ± -		APPLICATION SPEC	CAGE CODE		00779	
2 PLC ± -			DRAWING NO		C=1825143	
3 PLC ± .010			SCALE		3:1	
4 PLC ± -			SHEET		1 of 3	
ANGLES ± 2°			REV		A6	
MATERIAL		WEIGHT	CUSTOMER DRAWING			

THIS DRAWING IS UNPUBLISHED. RELEASED FOR PUBLICATION  
 © COPYRIGHT - By - ALL RIGHTS RESERVED.

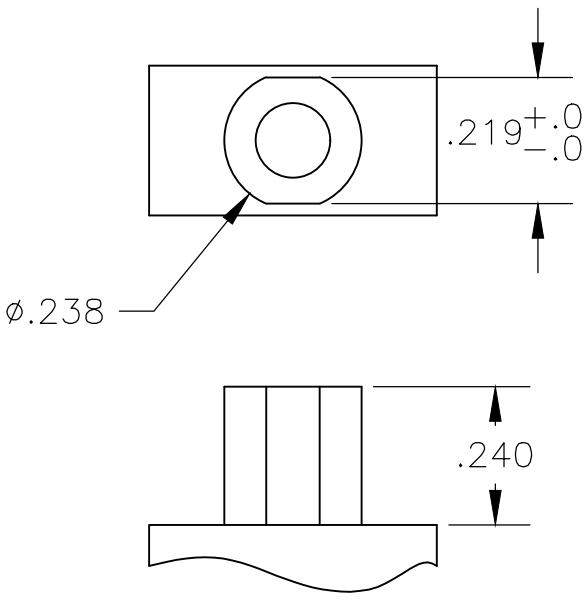
REVISIONS				
P	LTR	DESCRIPTION	DATE	APVD
-	-	SEE SHEET 1	-	-



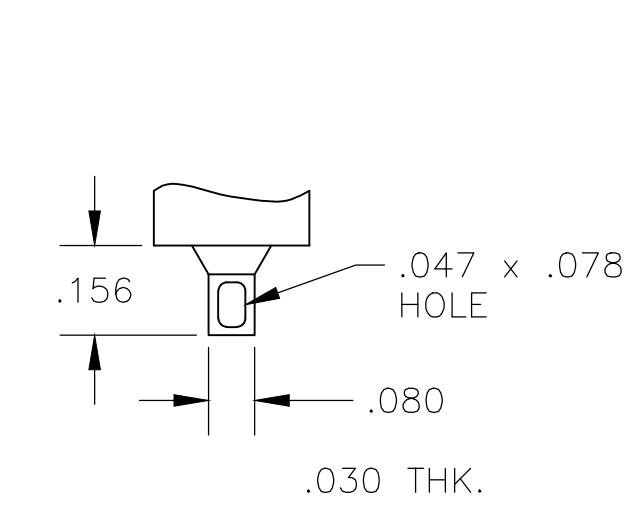
M SHORT



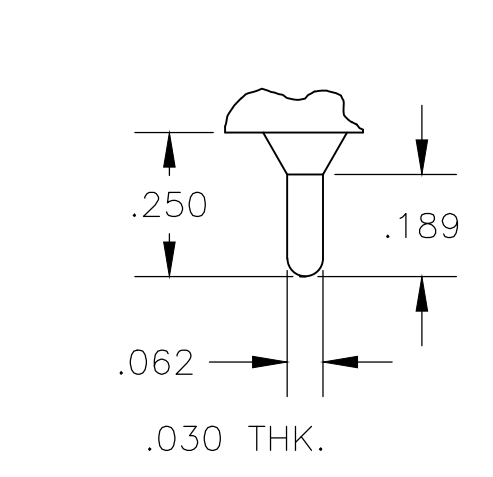
S STANDARD



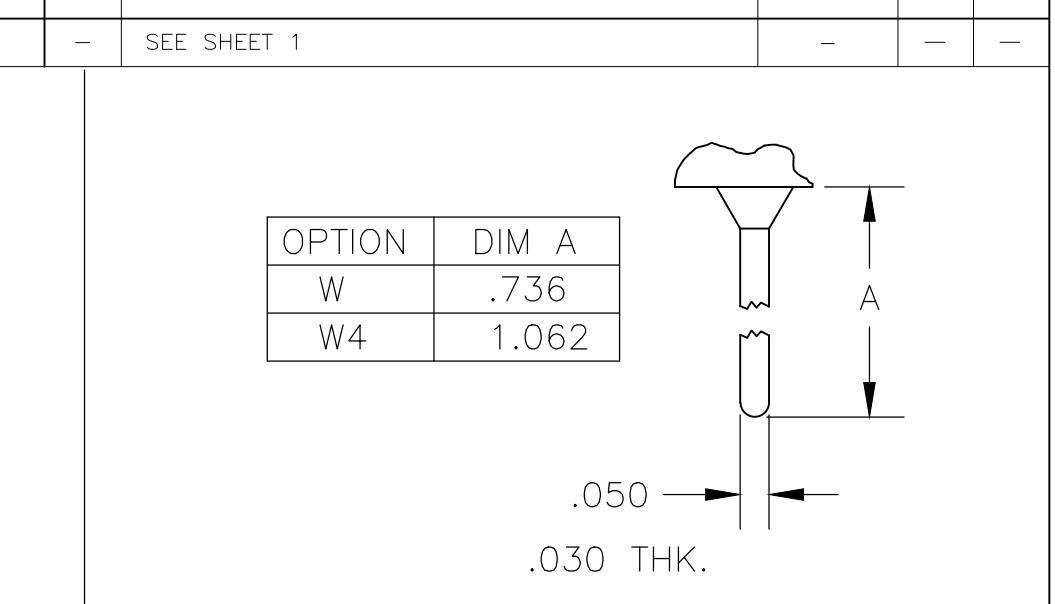
D1 BUSHING



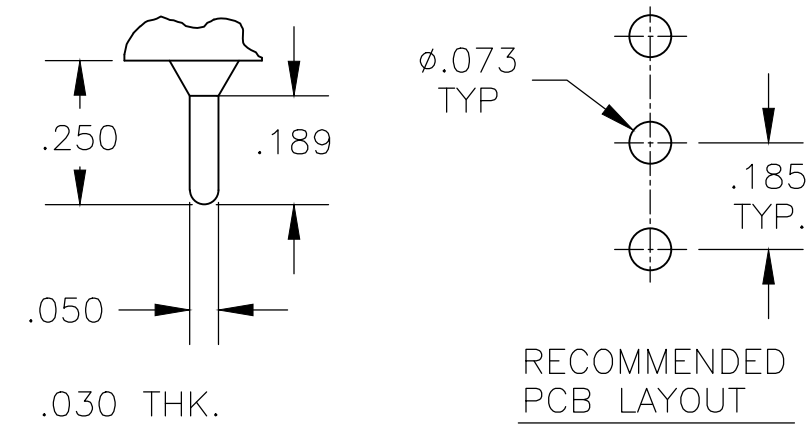
Z WIRE LUG



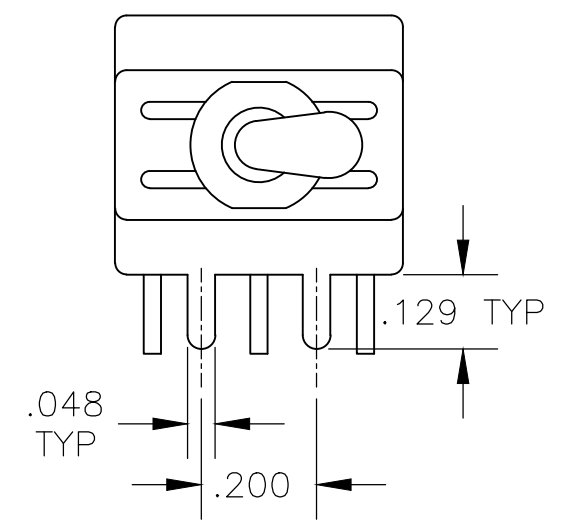
Z3 QUICK CONNECT



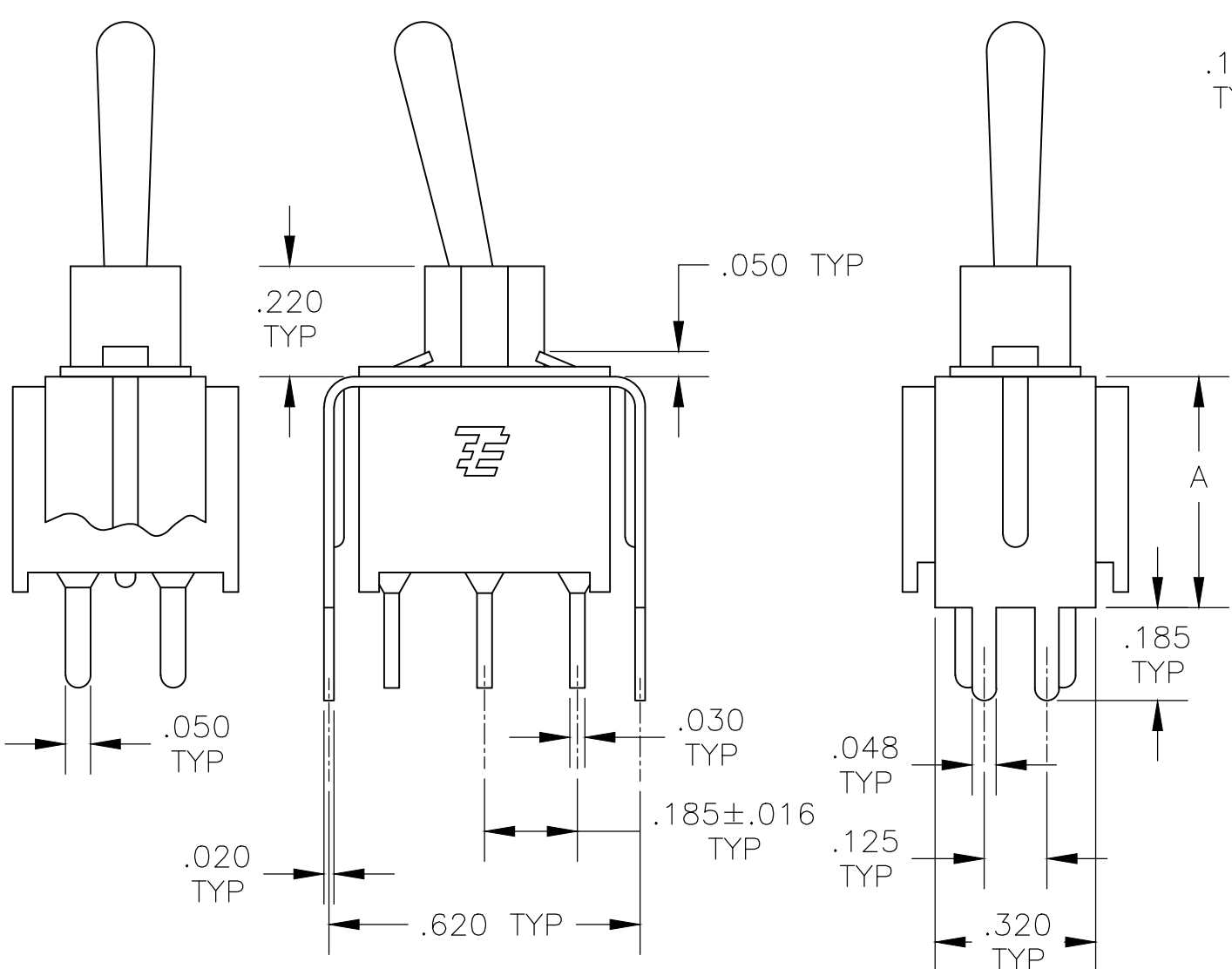
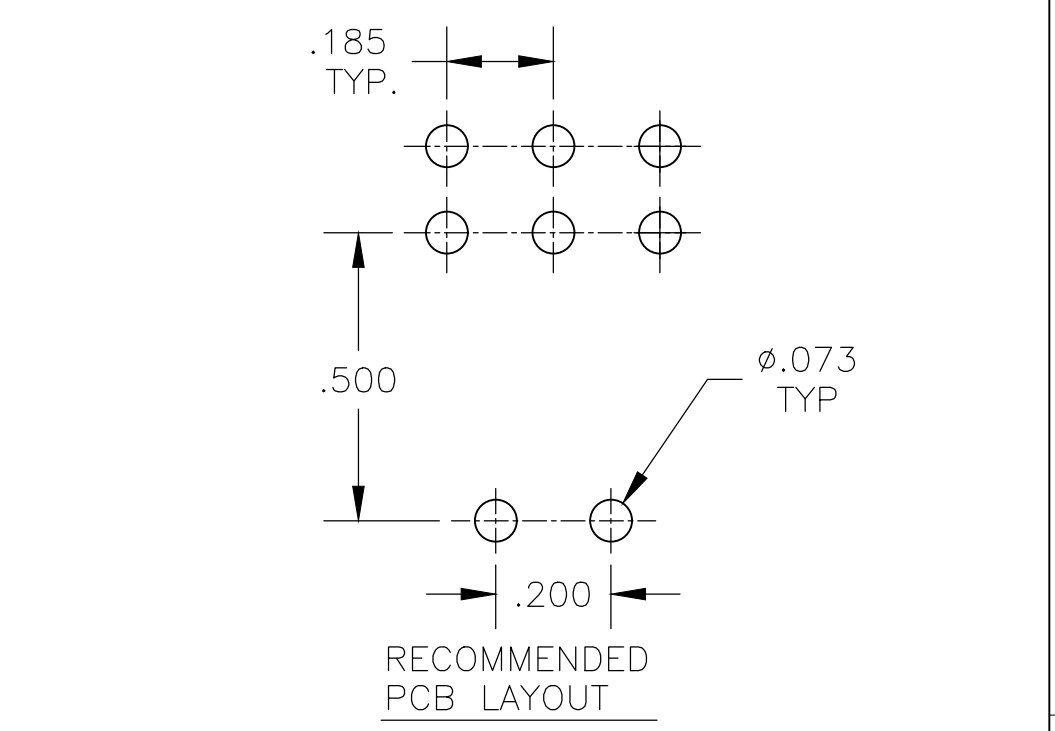
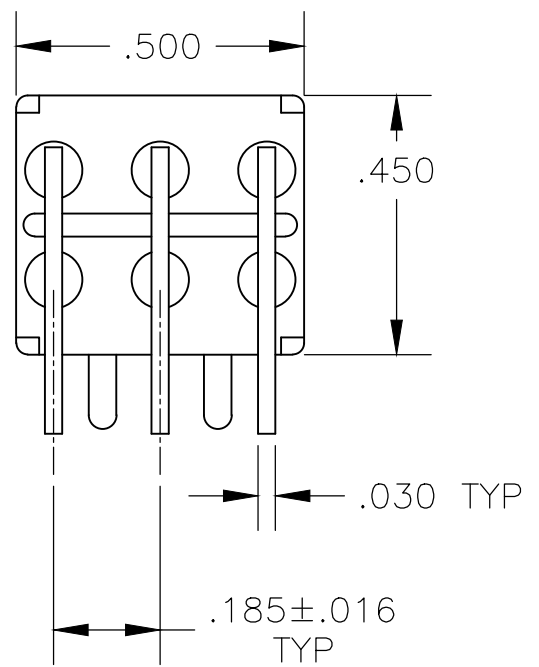
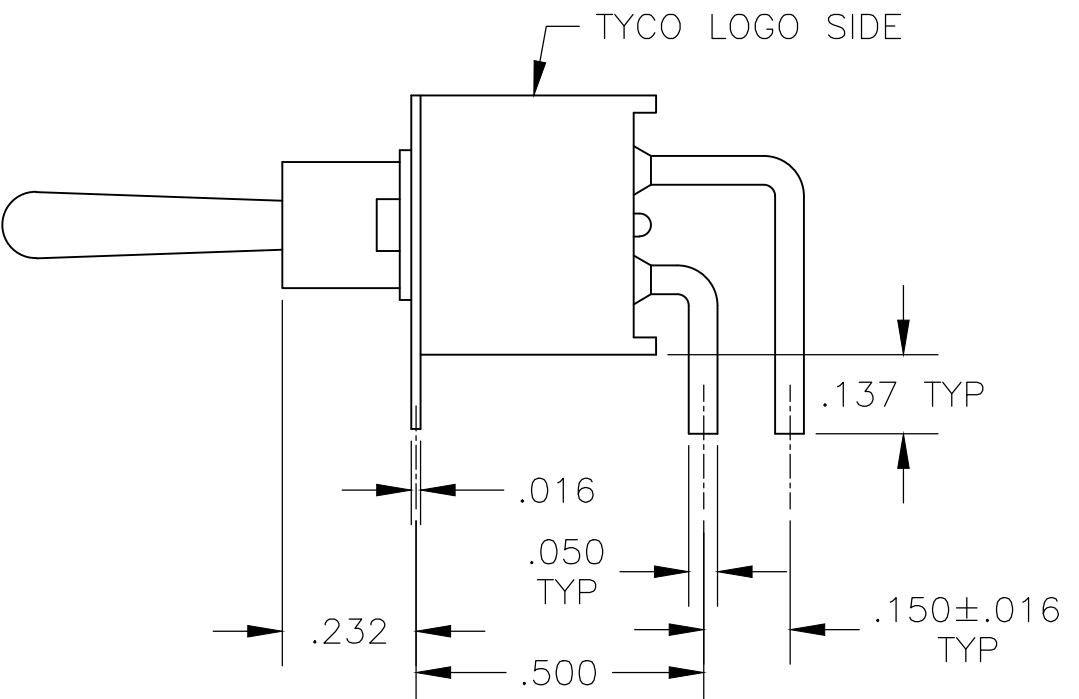
W W4 WIRE WRAP



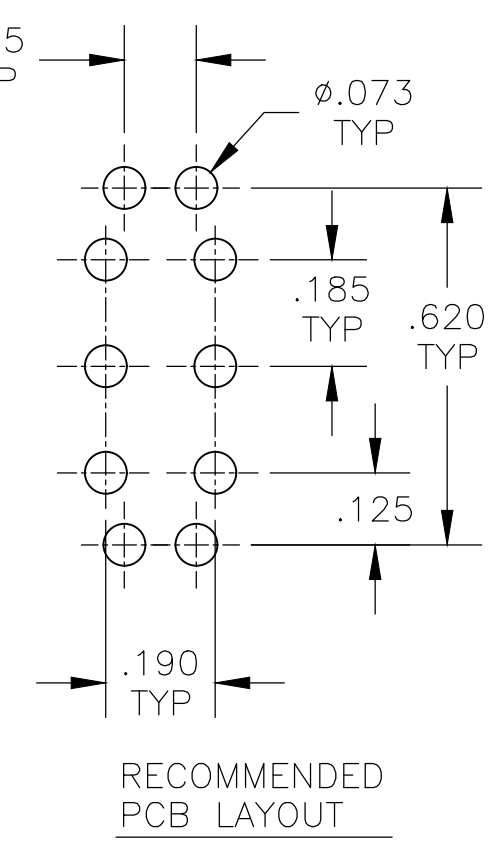
C PRINTED CIRCUIT



A RIGHT ANGLE

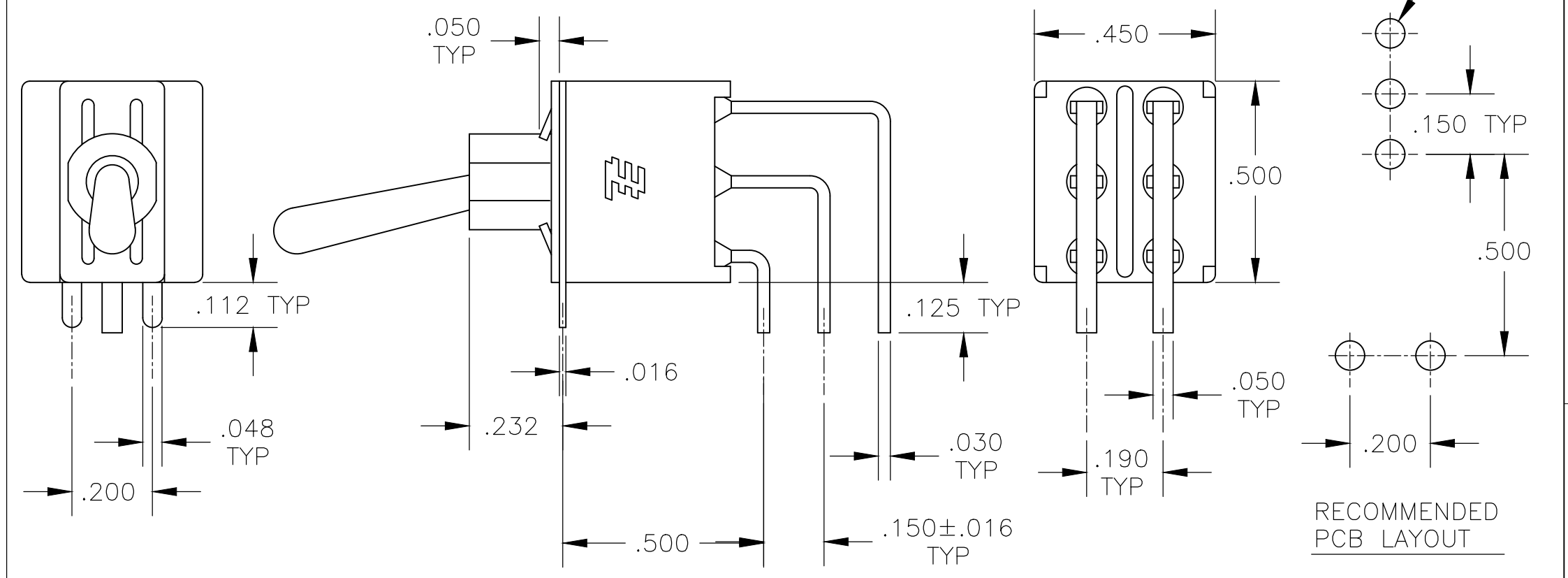


V30 V40 VERTICAL SUPPORT BRACKET



RECOMMENDED PCB LAYOUT

OPTION	DIM A
V30	.460
V40	.630



AV2 VERTICAL RIGHT ANGLE

THIS DRAWING IS A CONTROLLED DOCUMENT.

DIMENSIONS: INCHES	TOLERANCES UNLESS OTHERWISE SPECIFIED:	DWN M. ZITTO	18MAY05		TE Connectivity
0 PLC ± -	1 PLC ± -	CHK M. ZITTO	-		NAME
2 PLC ± -	3 PLC ± .010	APVD M. ZITTO	-	SIZE	A2
4 PLC ± -	ANGLES ± 2°	PRODUCT SPEC	-	CAGE CODE	00779
MATERIAL	FINISH	APPLICATION SPEC	-	DRAWING NO	C=1825143
-	-	WEIGHT	-	RESTRICTED TO	-
CUSTOMER DRAWING			SCALE	3:1	SHEET
				2	OF 3
				REV	A6

THIS DRAWING IS UNPUBLISHED. RELEASED FOR PUBLICATION  
 © COPYRIGHT - By - ALL RIGHTS RESERVED.

REVISIONS				
P	LTR	DESCRIPTION	DATE	APVD
-	-	SEE SHEET 1	-	-

Alco P/N	P/N	
AE201MD1AB04	1825143-1	OBSOLETE
AE201MD1AQ04	1825143-2	
AE201MD1AV2B04	1825143-3	
AE201MD1CB04	1825143-4	OBSOLETE
AE201MD1CQ04	1825143-5	
AE201MD1W4B04	1825143-6	OBSOLETE
AE201SD1AB04	1825143-7	
AE201SD1AG04	1825143-8	
AE201SD1AV2B04	1825143-9	
AE201SD1CB04	1-1825143-0	
AE201SD1CQ04	1-1825143-1	
AE201SD1W4B04	1-1825143-2	
AE203MD1AB04	1-1825143-3	OBSOLETE
AE203MD1AQ04	1-1825143-4	
AE203MD1AV2B04	1-1825143-5	
AE203SD1AB04	1-1825143-6	
AE203SD1AV2B04	1-1825143-7	
AE203SD1AV2Q04	1-1825143-8	OBSOLETE
AE203SD1CB04	1-1825143-9	
AE203SD1W4B04	2-1825143-0	OBSOLETE
AE205MD1AV2B04	2-1825143-1	
AE205SD1CQ04	2-1825143-2	
not assigned	2-1825143-3	OBSOLETE
AE207MD1AB04	2-1825143-4	
AE208SD1W4B04	2-1825143-5	OBSOLETE
AE211MD1CB04	2-1825143-6	
AE211MD1V30B04	2-1825143-7	

MATERIALS CHART		
COMPONENT NAME	BASE MATERIAL	FINISH
CASE & BUSHING	NYLON, RED, UL94 V-0	
O-RING	PVC, BLACK	
B TERMINALS & CONTACTS	COPPER	GOLD OVER NICKEL
G TERMINALS & CONTACTS	COPPER	GOLD OVER SILVER
Q TERMINALS & CONTACTS	COPPER	GOLD FLASH OVER SILVER
ACTUATOR	PHENOLIC, BLACK, UL94 V-1	
LEVER	BRASS	CHROME
SPRING	MUSIC WIRE	
PIVOT PIN	STEEL	NICKEL
LOCK WASHER	STAINLESS STEEL	
LOCKING RING	STAINLESS STEEL	
NUTS	BRASS	NICKEL
TERMINAL SEAL	EPOXY, UL94V-0	
MARKING	INK, BLACK	
SUPPORT BRACKET	BRASS OR STEEL	TIN
SUPPORT BRACKET RETAINER	STAINLESS STEEL	

1825143

THIS DRAWING IS A CONTROLLED DOCUMENT.		DWN M. ZITTO	18MAY05	<b>STE</b> TE Connectivity	
DIMENSIONS: INCHES		CHK M. ZITTO	APVD M. ZITTO		
TOLERANCES UNLESS OTHERWISE SPECIFIED: 0 PLC ± - 1 PLC ± - 2 PLC ± - 3 PLC ± .010 4 PLC ± - ANGLES ± 2°		PRODUCT SPEC	APPLICATION SPEC	NAME GEMINI AE SERIES TOGGLE SWITCH, DOUBLE POLE	
MATERIAL	FINISH	WEIGHT	SCALE A2	CAGE CODE 00779	DRAWING NO C=1825143
CUSTOMER DRAWING			SCALE 3:1	SHEET 3 OF 3	REV A6

单击下面可查看定价，库存，交付和生命周期等信息

[>>TE Connectivity\(泰科\)](#)