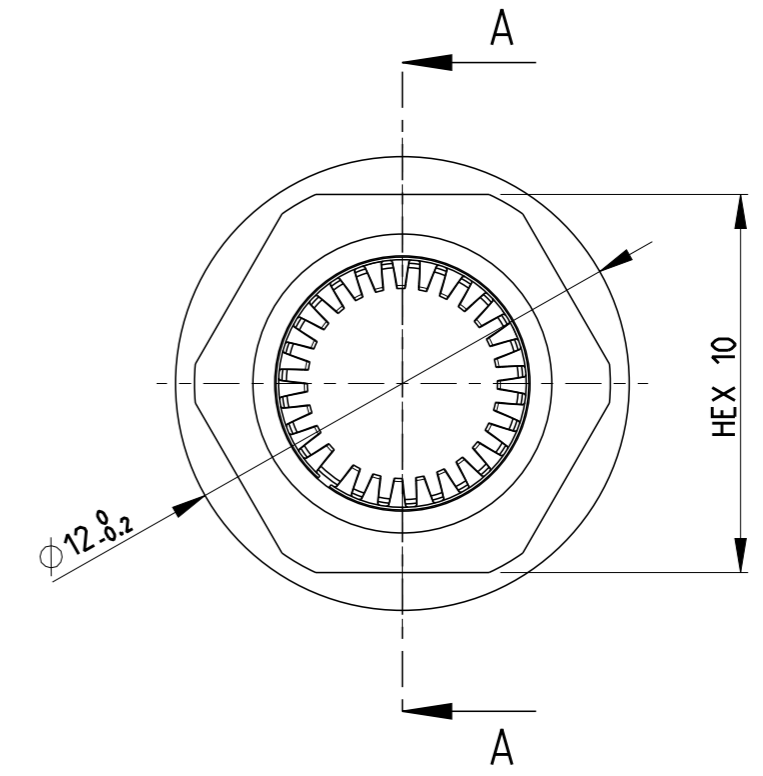
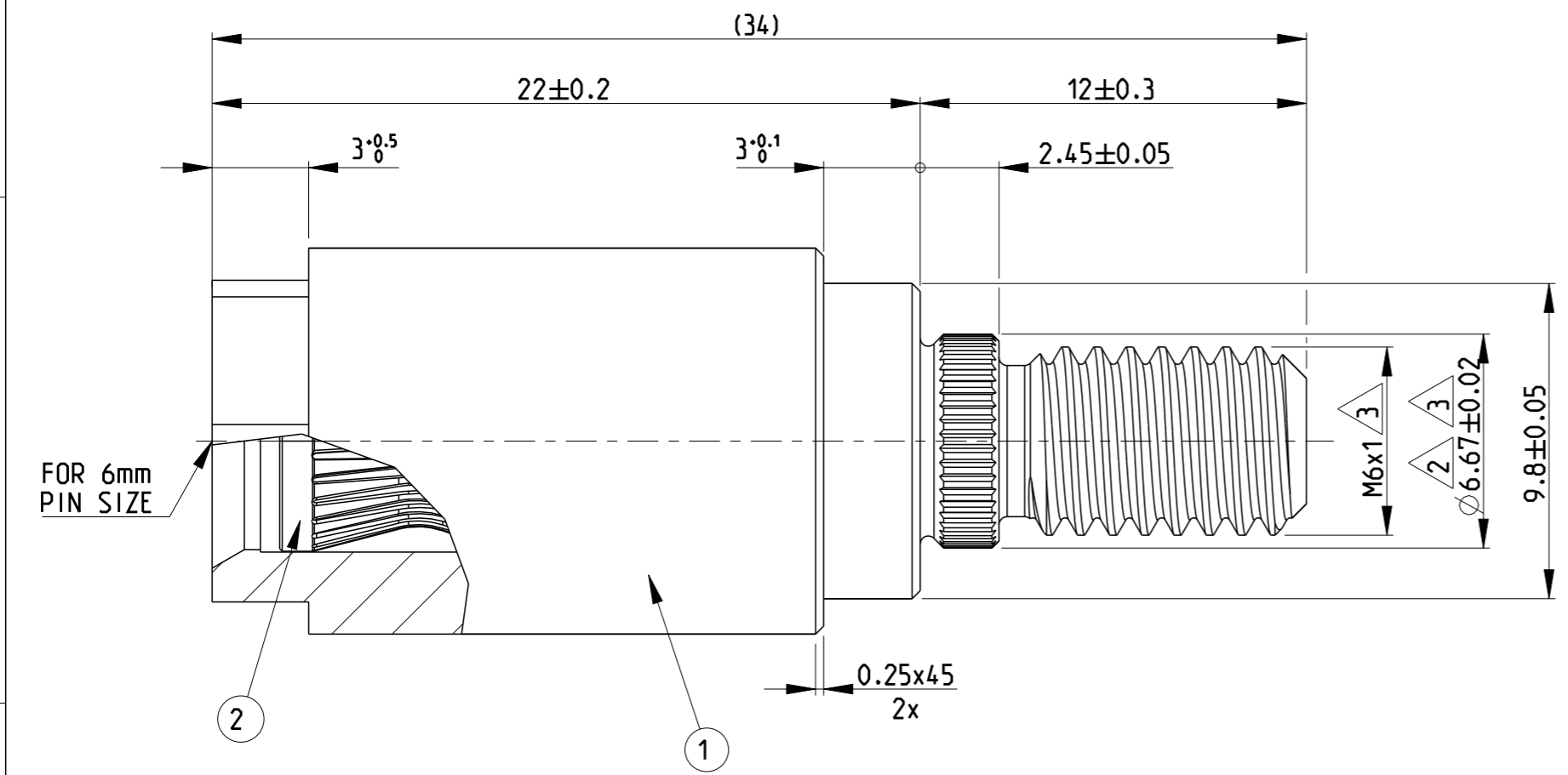
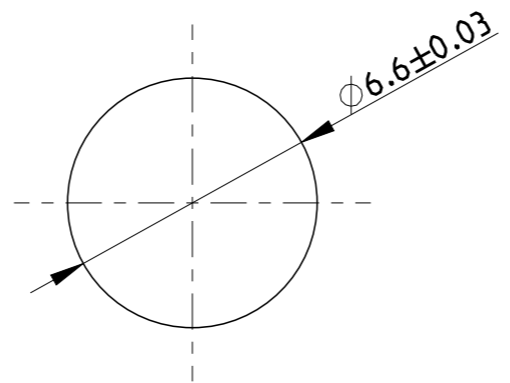


THIS DRAWING IS UNPUBLISHED. RELEASED FOR PUBLICATION 2009  
 © COPYRIGHT 2009 BY TYCO ELECTRONICS CORPORATION, ALL RIGHTS RESERVED.

LOC	DIST	REVISIONS					
		P	LTR	DESCRIPTION	DATE	DWN	APVD
IS	-	51		First issue	03MAY2010	MS	MG
		52		Sampling	12MAY2010	MS	MG
		53		Second sampling	11JUN2010	MS	MG
		A		Go to production	04NOV2010	MS	MG

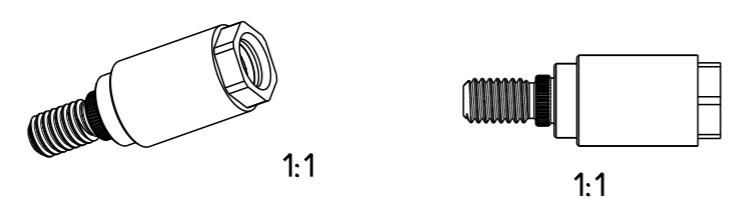


RECOMMENDED  
PANEL CUT OUT



- 1 General tolerances acc.to ISO 2768-mH
- 2 Knurl according to DIN 82 RAA 0.5
- 3 Coupling torque 5N max.
- 4) Bulk-packagin

TE PN	Item	Description	Material	Plating
619445-1	2	CROWN	BeCu	min. 0.2 µm Au over Ni
	1	Outer Con.	Brass	min. 5 µm Ag



THIS DRAWING IS A CONTROLLED DOCUMENT FOR TYCO ELECTRONICS CORPORATION. IT IS SUBJECT TO CHANGE AND THE CONTROLLING ENGINEERING ORGANIZATION SHOULD BE CONTACTED FOR THE LATEST REVISION.

DIMENSIONS: mm	TOLERANCES UNLESS OTHERWISE SPECIFIED: 0 PLC ± 1 PLC ± 2 PLC ± 3 PLC ± 4 PLC ± ANGLES ±1° FINISH -	DWN M.Scheggia 03MAY2010 CHK M.Grazioli 03MAY2010 APVD - PRODUCT SPEC - APPLICATION SPEC - WEIGHT -	Tyco Electronics Lugano - Switzerland NAME <b>STRAIGHT SOCKET</b> <b>PIN SIZE 6mm</b> <b>125 A</b>
MATERIAL -		SIZE A3	CAGE CODE 00779
		DRAWING NO C-619445	RESTRICTED TO -
		SCALE 5:1	SHEET 1 OF 1 REV A

单击下面可查看定价，库存，交付和生命周期等信息

[>>TE Connectivity\(泰科\)](#)