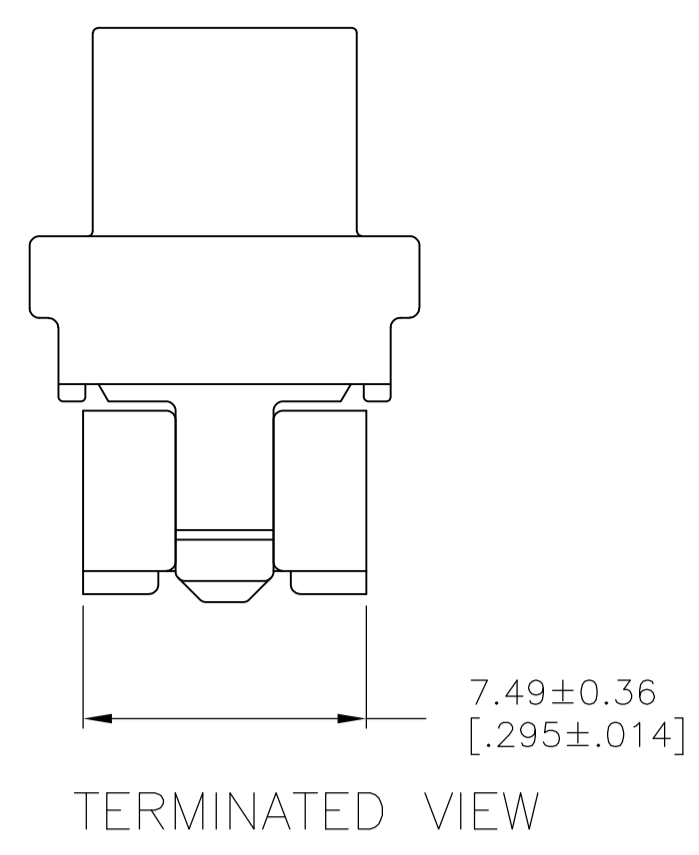
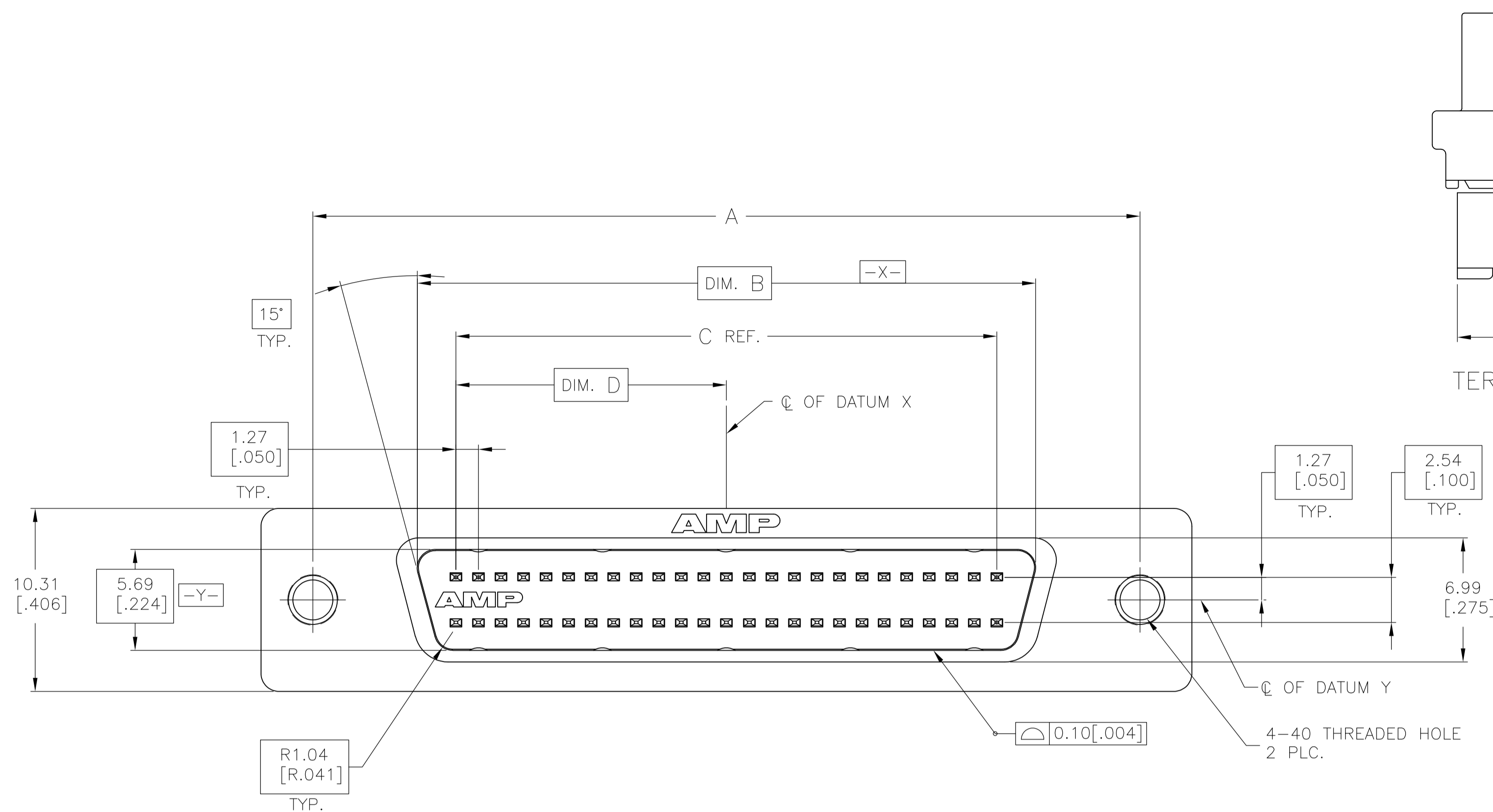
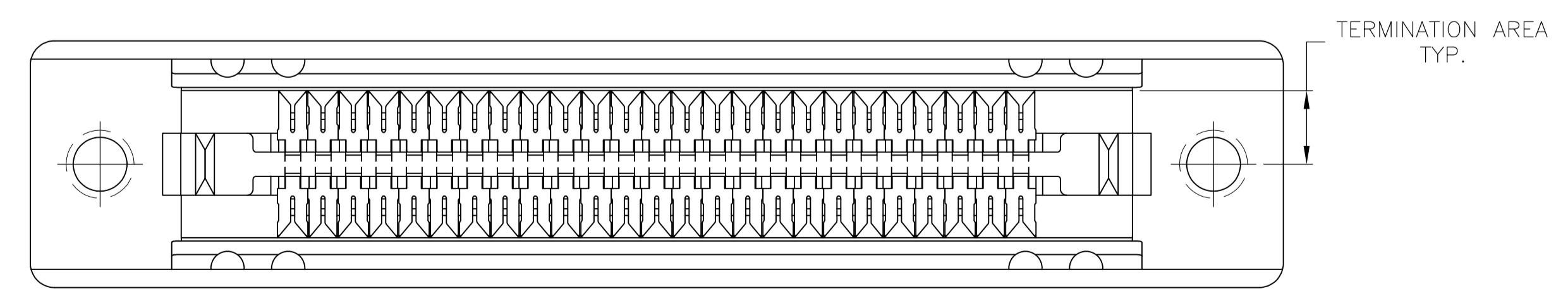
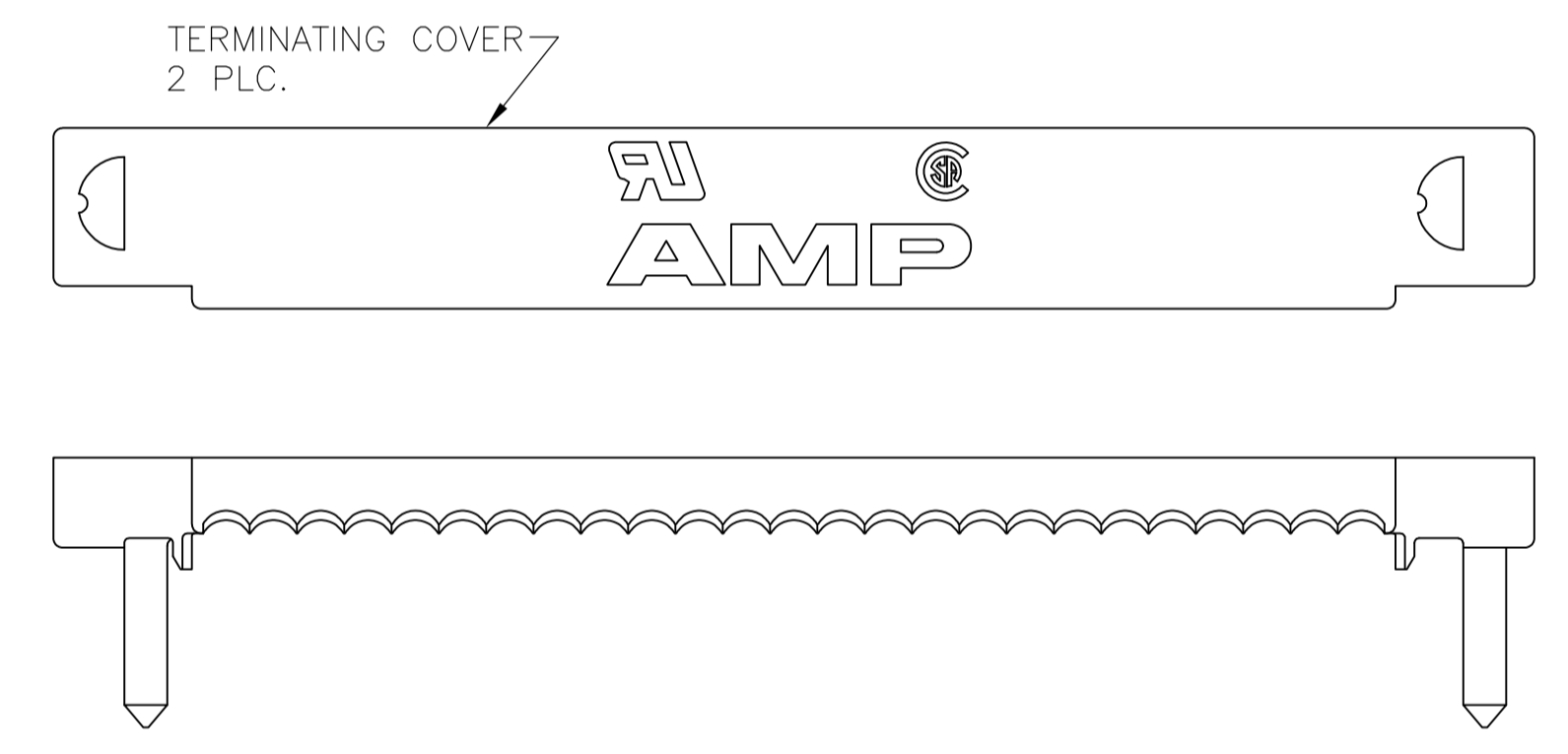
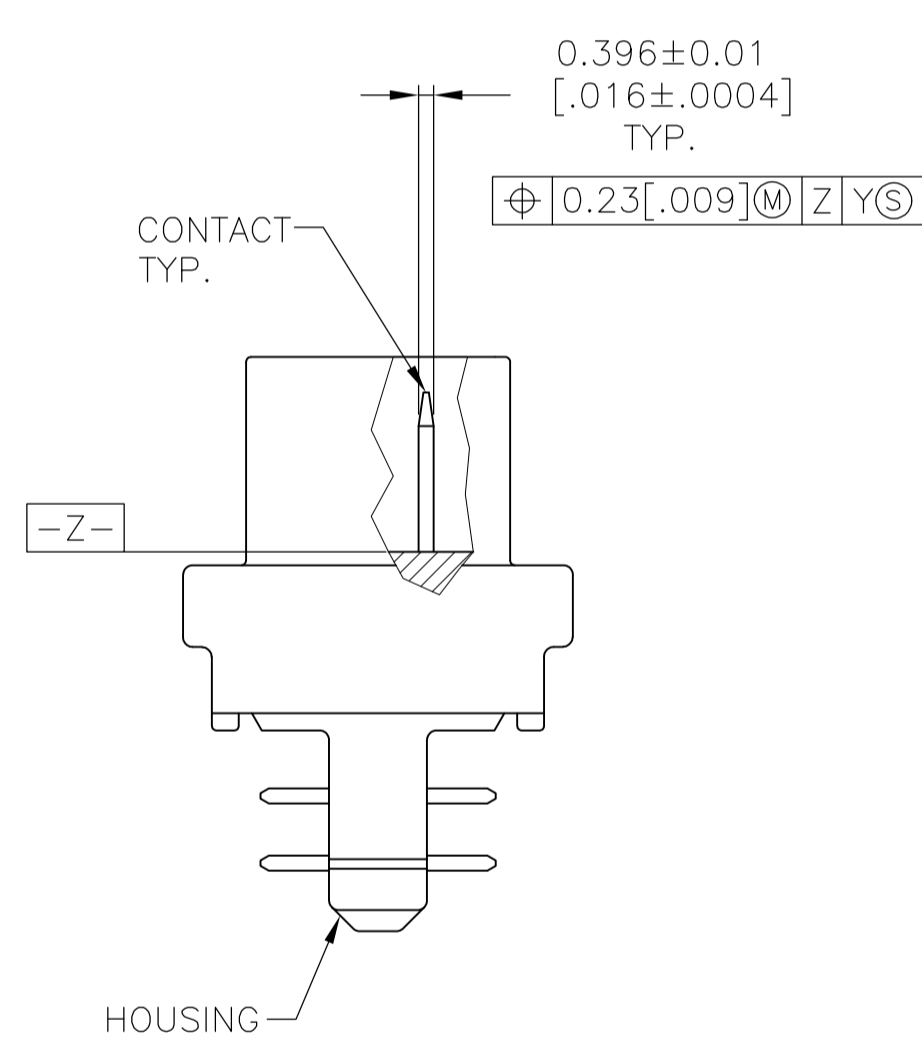
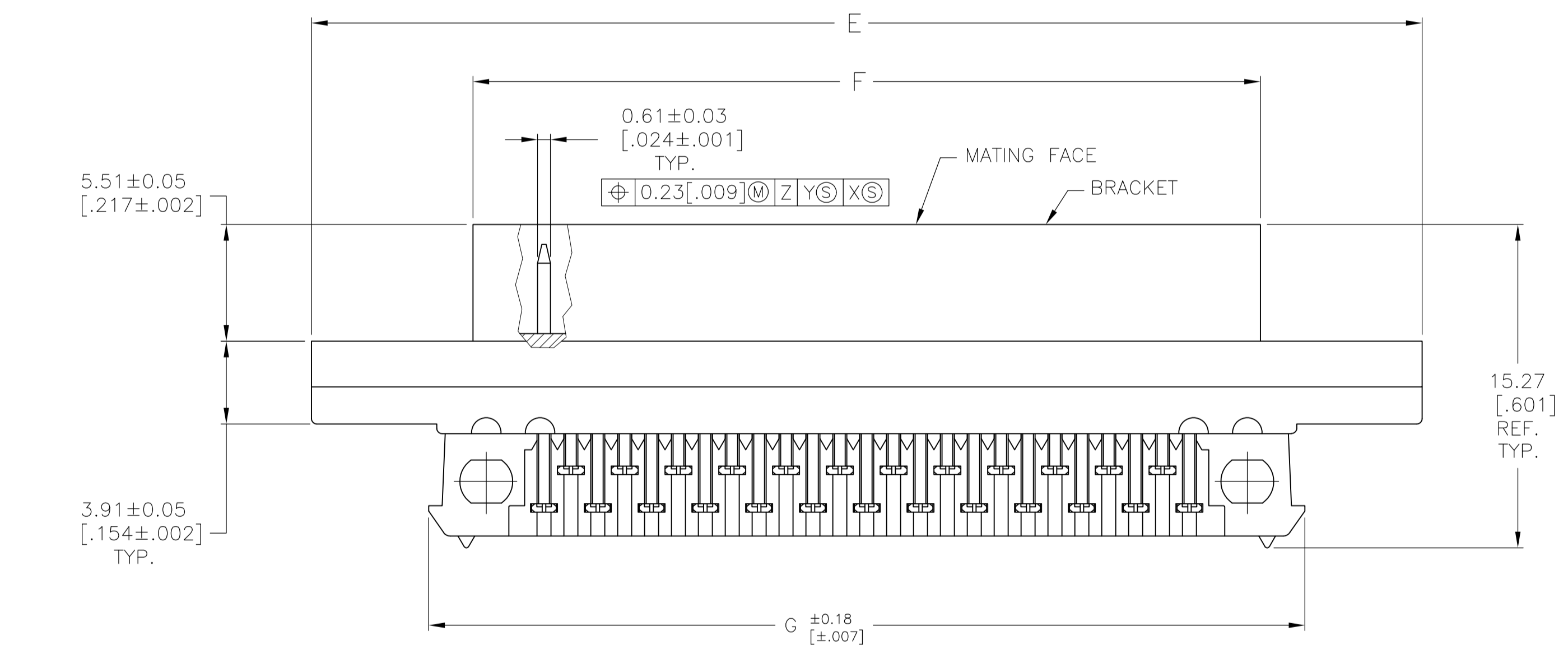


LOC		DIST		REVISONS			
GP	00	REV	DATE	BY	APPV	DATE	BY
AA	REVISED PER ECO-11-001216		08FEB2011	CJV	SLB		



- 1 MATERIAL—
CONTACTS: PHOSPHOR BRONZE.
BRACKET: ZINC.
HOUSING & TERMINATING COVERS: POLYESTER, BLACK, UL 94V-0 RATED.
- 2 FINISH—
CONTACTS: EITHER 0.76µm [.000030] MIN GOLD PLATE OR GOLD FLASH OVER PALLADIUM NICKEL PLATE, 0.76µm [.000030] MIN TOTAL FOR A LENGTH OF 3.35 [.132] MIN FROM MATING END, 1.27µm [.000050] MIN TIN-LEAD IN TERMINATION AREA, ALL OVER 1.27µm [.000050] MIN NICKEL.
BRACKET: 5.08µm [.000200] MIN NICKEL OVER 7.62µm [.000300] MIN COPPER.
- 3. RECOMMENDED WIRE:
28 AWG OR 30 AWG, SOLID OR 7 STRANDED, PVC INSULATION WITH A 0.74-0.91 [.029-.036] INSULATION DIA.
- 4. COVERS PACKAGED SEPARATE FROM CONNECTORS IN SAME SHIPPING CONTAINER.
- 5 FINISH—
CONTACTS: EITHER 0.76µm [.000030] MIN GOLD PLATE OR GOLD FLASH OVER PALLADIUM NICKEL PLATE, 0.76µm [.000030] MIN TOTAL FOR A LENGTH OF 3.35 [.132] MIN FROM MATING END, 1.27µm [.000050] MIN TIN IN TERMINATION AREA, ALL OVER 1.27µm [.000050] MIN NICKEL.
BRACKET: 5.08µm [.000200] MIN NICKEL OVER 7.62µm [.000300] MIN COPPER.
- 6 ROHS 2002/95/EC COMPLIANT



	6	5	52.81 [2.079]	48.62 [1.914]	63.88 [2.515]	20.96 [.825]	41.91 [1.650]	46.28 [1.822]	57.91 [2.280]	68	5-750722-7	
OBSOLETE	-	-	73.13 [2.879]	68.94 [2.714]	84.20 [3.315]	31.12 [1.225]	62.23 [2.450]	66.60 [2.622]	78.23 [3.080]	100	750722-9	
OBSOLETE	-	2	52.81 [2.079]	48.62 [1.914]	63.88 [2.515]	20.96 [.825]	41.91 [1.650]	46.28 [1.822]	57.91 [2.280]	68	750722-7	
OBSOLETE	-	-	41.38 [1.629]	37.19 [1.464]	52.45 [2.065]	15.24 [.600]	30.48 [1.200]	34.85 [1.372]	46.48 [1.830]	50	750722-1	
			FINISH	G	F	E	D	C	B	A	NO OF POSN.	PART NO.

THIS DRAWING IS A CONTROLLED DOCUMENT.

DIMENSIONS: mm [INCHES]	TOLERANCES UNLESS OTHERWISE SPECIFIED:	DIN L. SIPE 02/27/91	APVD J. SAUNDER 3-8-91	NAME	Tyco Electronics Corporation Harrisburg, PA 17105-3608
0 PLC ± -	1 PLC ± -	2 PLC ± 0.13[.005]	3 PLC ± -	4 PLC ± -	ANGLES ± -
MATERIAL	SEE TABLE	1	114-40029	SIZE	A1
			108-1228	SCALE	5:1
			114-40029	SHEET	1 OF 1
			114-40029	REV	AA

PLUG KIT, UNASSEMBLED, PANEL MOUNT, FLAT TOP, .050 SERIES, AMPLIMITE

单击下面可查看定价，库存，交付和生命周期等信息

[>>TE Connectivity\(泰科\)](#)