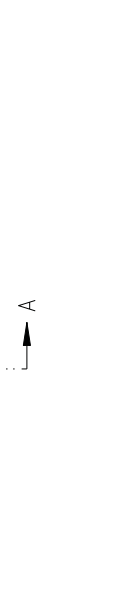
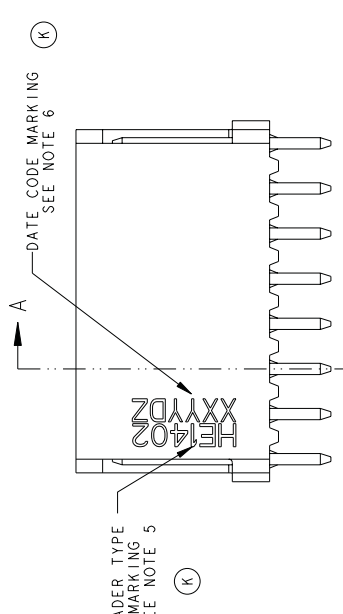
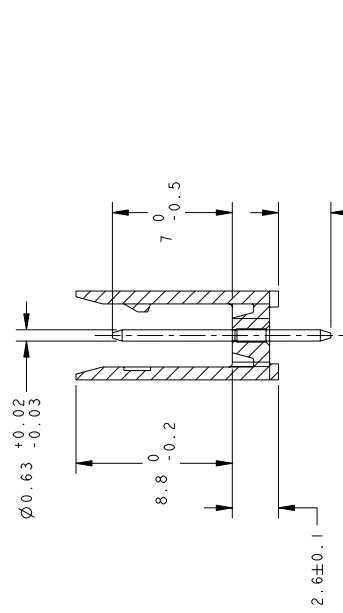
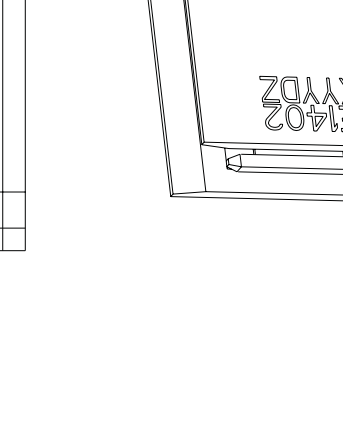


LOC	DIST	REV	DESCRIPTION	DATE	BY	CHKD
F	7	H	CLARIFIE NOTE 3	12MR2004	J.D.	Y.P.
		J	MATERIAL	09MAR2006	J.D.	Y.P.
		K	NOTES 5, 6 ADDED	03SEP2008	GM	PEG



45.72	43.18	18	1-281695-8
43.18	40.64	17	1-281695-7
38.10	35.56	15	1-281695-5
30.48	27.94	12	1-281695-2
25.40	22.86	10	1-281695-0
20.32	17.78	8	0-281695-8
17.78	15.24	7	0-281695-7
15.24	12.70	6	0-281695-6
12.70	10.16	5	0-281695-5
10.16	7.62	4	0-281695-4
7.62	5.08	3	0-281695-3
5.08	2.54	2	0-281695-2

C	A	Nb DE POS	PART NUMBER
DIMENSIONS			

NOTES:

- CES EMBASES SONT PREVUES POUR ETRE ACCOUPLEES AVEC LES FICHES "HE1402", SIMPLE RANGE. (These headers are designed to be mated with "HE1402" connectors single row)
- LES REFERENCES SUIVIES D'UN \* SONT LES VERSIONS NORMALISEES SELON LA NORME CEI 603-8 (The parts numbers followed by \* are covered by the international standard IEC 603-8)
- RETEMENT DES CONTACTS: ETAIN PUR SUR NICKEL (Contacts plating: Lead free tin over nickel)
- MATIERE PLASTIQUE: TERMO-PLASTIQUE HAUTE TEMPERATURE, UL-94V0, COULEUR BLEUE (Plastic material: high temperature thermoplastic, UL-94V0, Blue color)
- MARQUAGE DES CONTACTS: BROSSE PHOSPHOREUX (Contact material: phosphor bronze)
- MARQUAGE DU TYPE D'EMBASE (HE1402) A L'ENCRE NOIRE (header type marking (HE1402) with black ink)
- MARQUAGE DE LA DATE A L'ENCRE NOIRE : (date code marking with black ink)

ANNEE year  
SEM-AINE week  
XYYDZ  
jour (1 A 7) day (1 to 7)  
"D" POUR L'EQUIPE JOUR et "N" POUR CELLE DE NUIT  
letter "D" for day & "N" for night team

THIS DRAWING IS UNPUBLISHED. RELEASED FOR PUBLICATION WITHOUT WARRANTY. ALL RIGHTS RESERVED. BY TRCO ELECTRONICS CORPORATION. TOUTES DROITS RESERVEES. COPYRIGHTED.

DATE CODE MARKING SEE NOTE 6 (K)

HEADER TYPE MARKING SEE NOTE 5 (K)

DATE CODE MARKING SEE NOTE 6 (K)

SECTION A-A

PERCAGE CARTE DE C.I. PCB LAYOUT HOLES

SCALE 6:1

SCALE 3:1

SCALE 3:1

CONTACT No 1

AMP 1471-9 REV 31MAR2009 P-2/ENGINEER DRAWING

REV. 001	NOV 2000	AMP DE FRANCE
REV. 002	NOV 2000	95001 PONTISE
REV. 003	NOV 2000	
REV. 004	NOV 2000	
REV. 005	NOV 2000	
REV. 006	NOV 2000	
REV. 007	NOV 2000	
REV. 008	NOV 2000	
REV. 009	NOV 2000	
REV. 010	NOV 2000	
REV. 011	NOV 2000	
REV. 012	NOV 2000	
REV. 013	NOV 2000	
REV. 014	NOV 2000	
REV. 015	NOV 2000	
REV. 016	NOV 2000	
REV. 017	NOV 2000	
REV. 018	NOV 2000	
REV. 019	NOV 2000	
REV. 020	NOV 2000	
REV. 021	NOV 2000	
REV. 022	NOV 2000	
REV. 023	NOV 2000	
REV. 024	NOV 2000	
REV. 025	NOV 2000	
REV. 026	NOV 2000	
REV. 027	NOV 2000	
REV. 028	NOV 2000	
REV. 029	NOV 2000	
REV. 030	NOV 2000	
REV. 031	NOV 2000	
REV. 032	NOV 2000	
REV. 033	NOV 2000	
REV. 034	NOV 2000	
REV. 035	NOV 2000	
REV. 036	NOV 2000	
REV. 037	NOV 2000	
REV. 038	NOV 2000	
REV. 039	NOV 2000	
REV. 040	NOV 2000	
REV. 041	NOV 2000	
REV. 042	NOV 2000	
REV. 043	NOV 2000	
REV. 044	NOV 2000	
REV. 045	NOV 2000	
REV. 046	NOV 2000	
REV. 047	NOV 2000	
REV. 048	NOV 2000	
REV. 049	NOV 2000	
REV. 050	NOV 2000	
REV. 051	NOV 2000	
REV. 052	NOV 2000	
REV. 053	NOV 2000	
REV. 054	NOV 2000	
REV. 055	NOV 2000	
REV. 056	NOV 2000	
REV. 057	NOV 2000	
REV. 058	NOV 2000	
REV. 059	NOV 2000	
REV. 060	NOV 2000	
REV. 061	NOV 2000	
REV. 062	NOV 2000	
REV. 063	NOV 2000	
REV. 064	NOV 2000	
REV. 065	NOV 2000	
REV. 066	NOV 2000	
REV. 067	NOV 2000	
REV. 068	NOV 2000	
REV. 069	NOV 2000	
REV. 070	NOV 2000	
REV. 071	NOV 2000	
REV. 072	NOV 2000	
REV. 073	NOV 2000	
REV. 074	NOV 2000	
REV. 075	NOV 2000	
REV. 076	NOV 2000	
REV. 077	NOV 2000	
REV. 078	NOV 2000	
REV. 079	NOV 2000	
REV. 080	NOV 2000	
REV. 081	NOV 2000	
REV. 082	NOV 2000	
REV. 083	NOV 2000	
REV. 084	NOV 2000	
REV. 085	NOV 2000	
REV. 086	NOV 2000	
REV. 087	NOV 2000	
REV. 088	NOV 2000	
REV. 089	NOV 2000	
REV. 090	NOV 2000	
REV. 091	NOV 2000	
REV. 092	NOV 2000	
REV. 093	NOV 2000	
REV. 094	NOV 2000	
REV. 095	NOV 2000	
REV. 096	NOV 2000	
REV. 097	NOV 2000	
REV. 098	NOV 2000	
REV. 099	NOV 2000	
REV. 100	NOV 2000	

单击下面可查看定价，库存，交付和生命周期等信息

[>>TE Connectivity\(泰科\)](#)