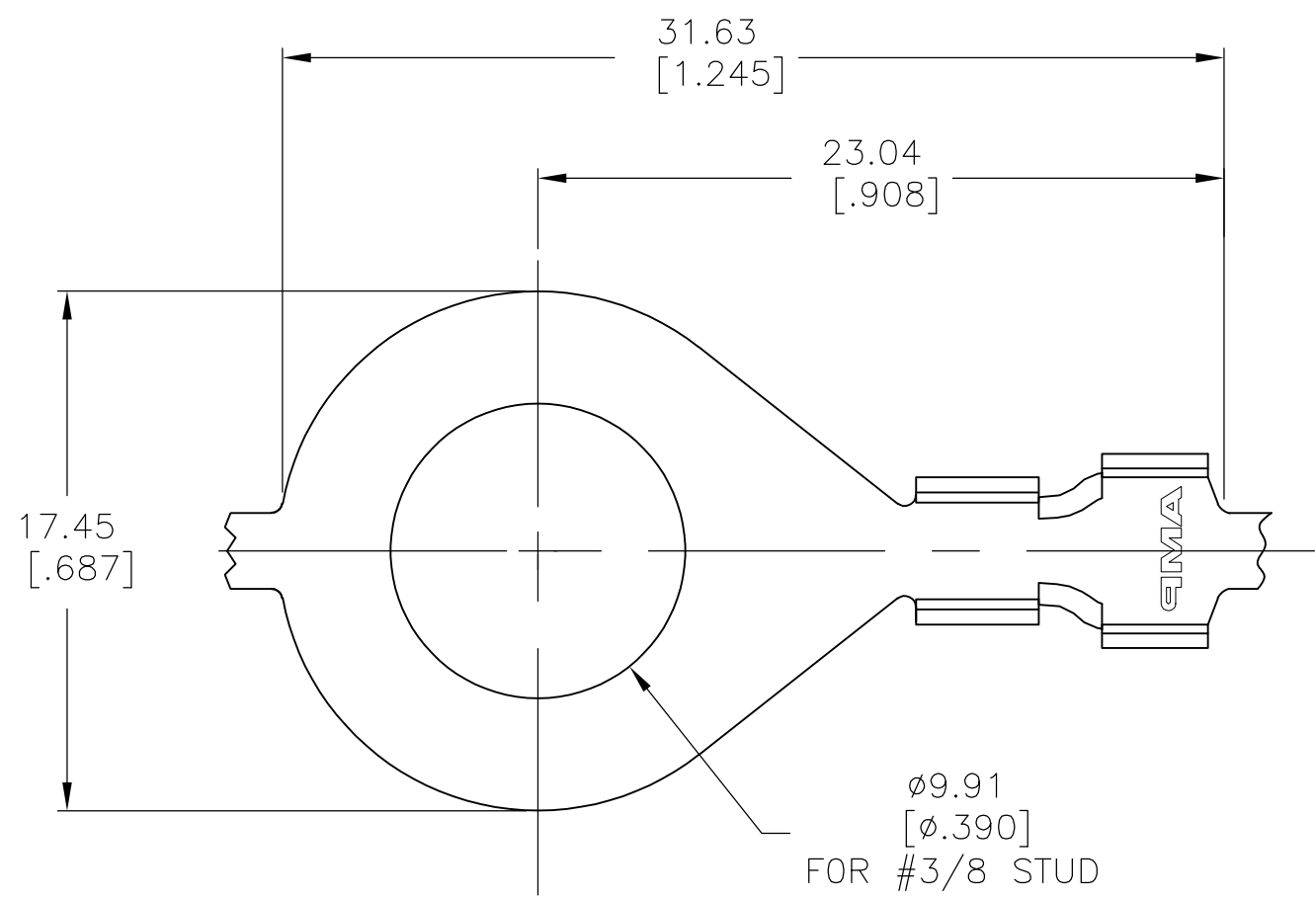
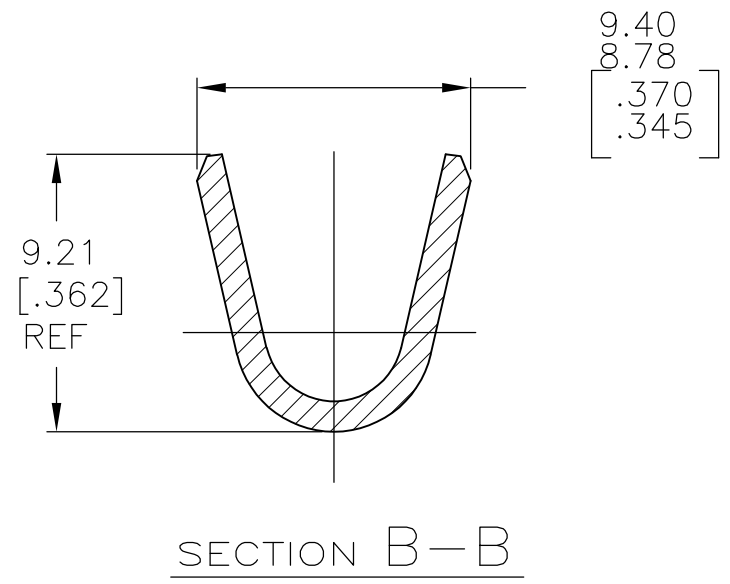
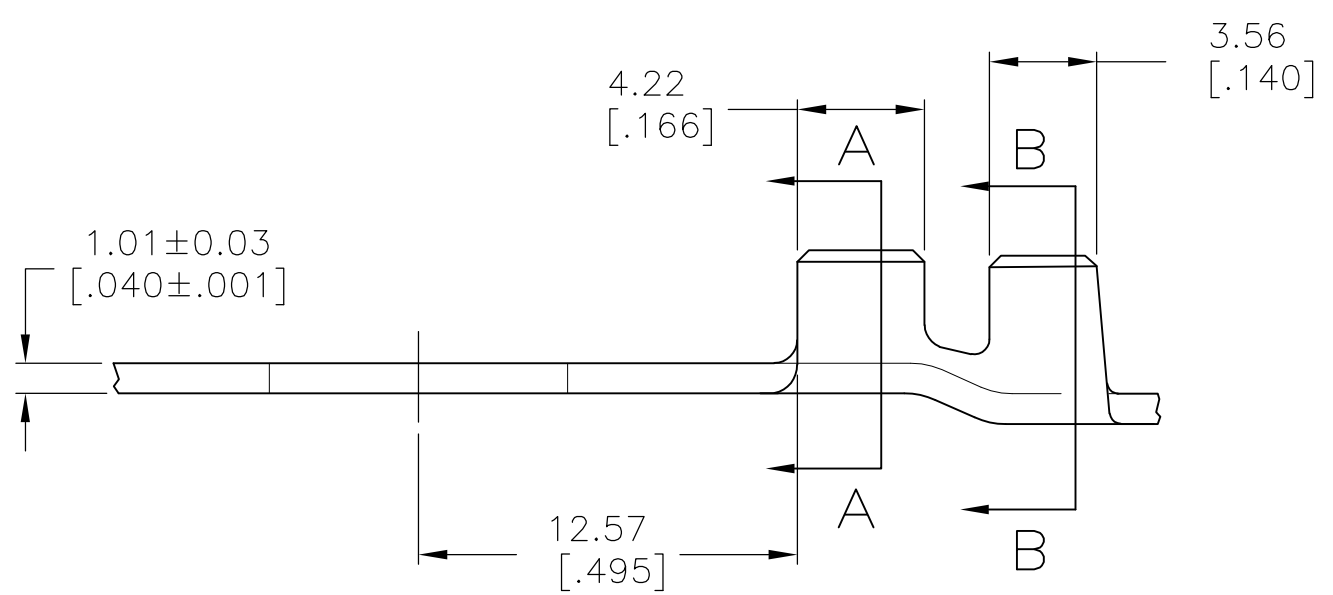
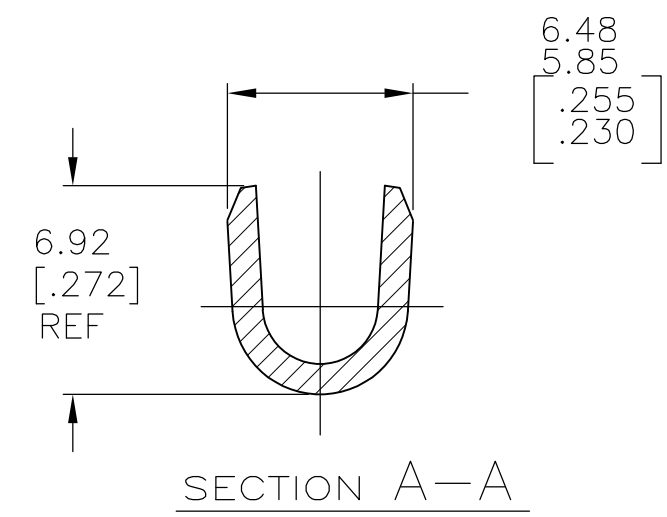


THIS DRAWING IS UNPUBLISHED. RELEASED FOR PUBLICATION
 © COPYRIGHT BY TYCO ELECTRONICS CORPORATION. ALL RIGHTS RESERVED.

LOC	DIST	REVISIONS			
P	LTR	DESCRIPTION	DATE	DWN	APVD
AF	50	C1	REVISED PER ECR-07-030301	09MAY08	HMR JR



1 CONTINUOUS STRIP ON REELS



12 - 8 AWG	3.81 [.150] - 5.59 [.220]	61289-1
WIRE SIZE	INSULATION RANGE	Part Number

THIS DRAWING IS A CONTROLLED DOCUMENT.		DWN RAGHAVENDRA 09MAY08	Tyco Electronics Corporation Harrisburg, Pa 17105-3608	
DIMENSIONS: mm [INCHES]		CHK JEFF RUTH 09MAY08	NAME	
TOLERANCES UNLESS OTHERWISE SPECIFIED:		APVD JEFF RUTH 09MAY08	RING	
<ul style="list-style-type: none"> 0 PLC ± - 1 PLC ± - 2 PLC ± 0.38 ± 0.015 3 PLC ± - 4 PLC ± - ANGLES ± - 		PRODUCT SPEC -	RESTRICTED TO -	
MATERIAL BRASS		FINISH TIN	APPLICATION SPEC -	SCALE 4:1
		WEIGHT -	SIZE A3	SHEET 1 OF 1
		CUSTOMER DRAWING	CAGE CODE 00779	REV C1
			DRAWING NO 61289	

单击下面可查看定价，库存，交付和生命周期等信息

[>>TE Connectivity\(泰科\)](#)