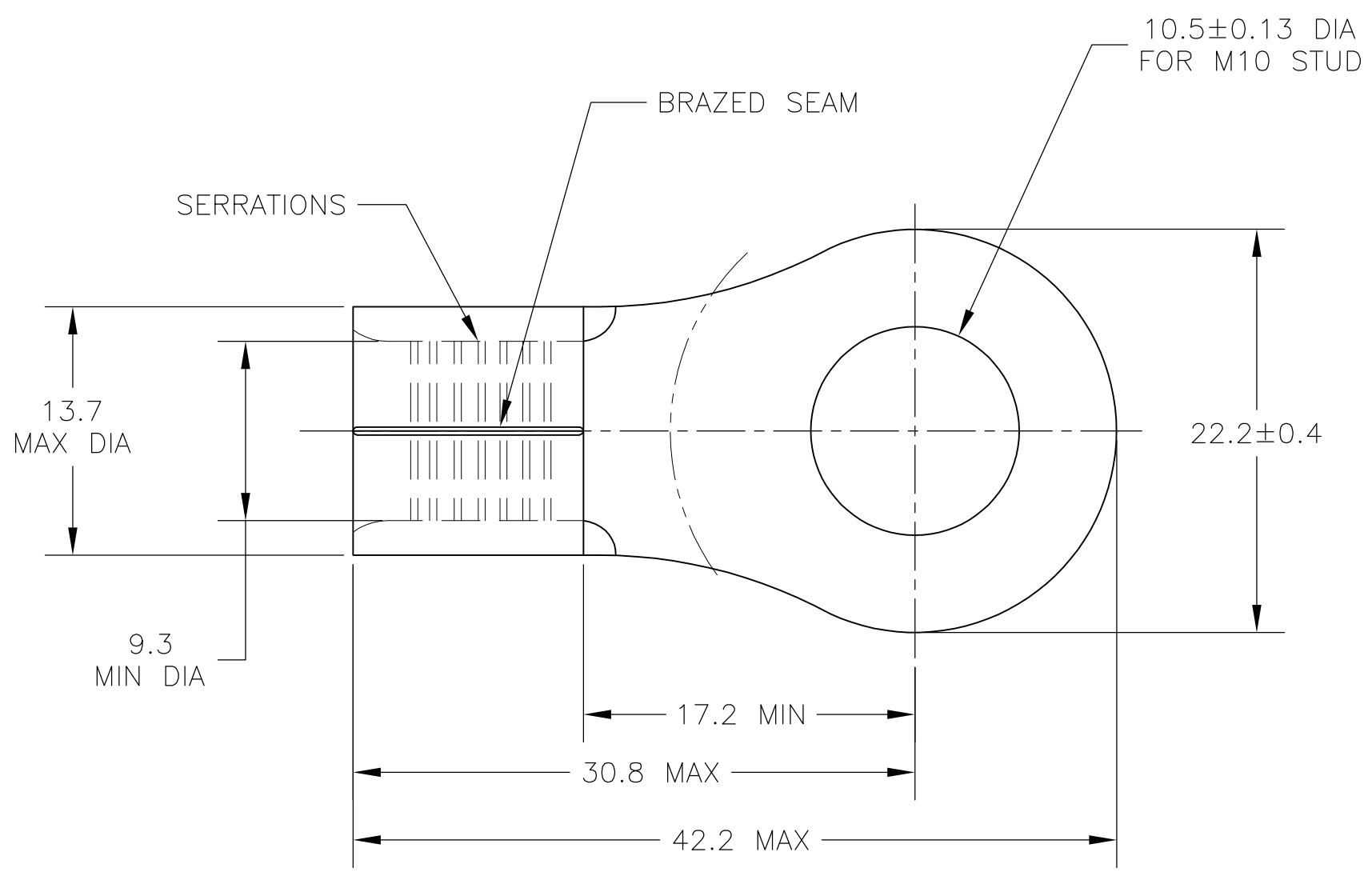


THIS DRAWING IS UNPUBLISHED. RELEASED FOR PUBLICATION  
 © COPYRIGHT - By - ALL RIGHTS RESERVED.

LOC	DIST	REVISIONS					
		P	LTR	DESCRIPTION	DATE	DWN	APVD
G	14		A2	REVISED PER ECO-15-006978	06JUN2015	NK	MM



- 1 TONGUE THK IS 1.80±0.06.
- 2 TIN PLATE PER ASTM B545 ANNEALED.

△ 2	160002
FINISH	PART NO

THIS DRAWING IS A CONTROLLED DOCUMENT.		DWN jr_ruth 02FEB06	<b>STE</b> TE Connectivity				
DIMENSIONS: INCHES		CHK MJ SPICER 02FEB06					
		APVD MJ SPICER 02FEB06	NAME TERMINAL, SOLISTRAND, RING TONGUE, WIRE SIZE : #2				
		PRODUCT SPEC					
MATERIAL COPPER ASTM B152		FINISH SEE TABLE	APPLICATION SPEC	SIZE A3	CAGE CODE 00779	DRAWING NO C-160002	RESTRICTED TO
			WEIGHT -	SCALE 3:1		SHEET 1 OF 1	REV A2
			CUSTOMER DRAWING				

单击下面可查看定价，库存，交付和生命周期等信息

[>>TE Connectivity\(泰科\)](#)