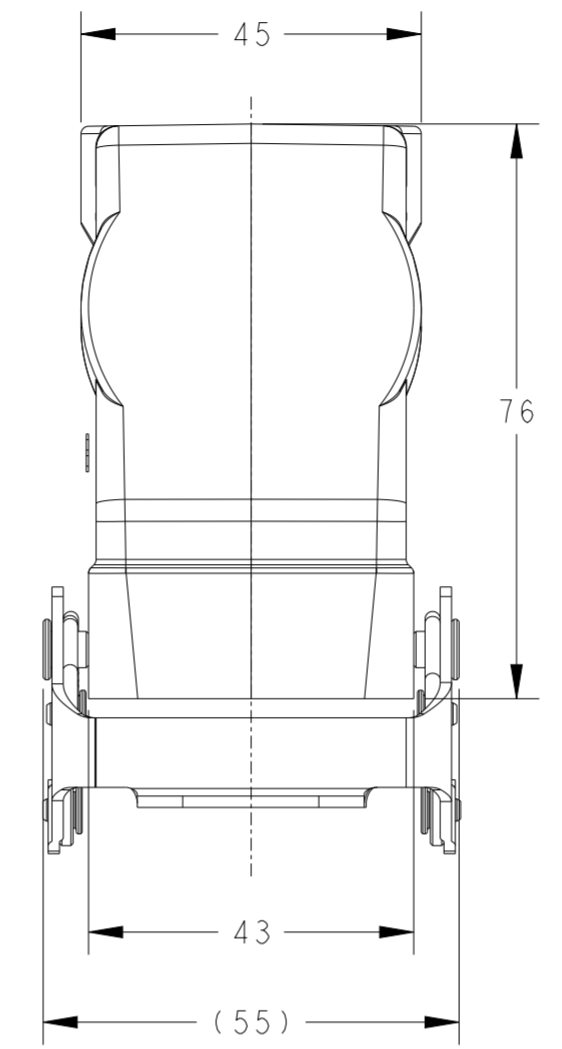
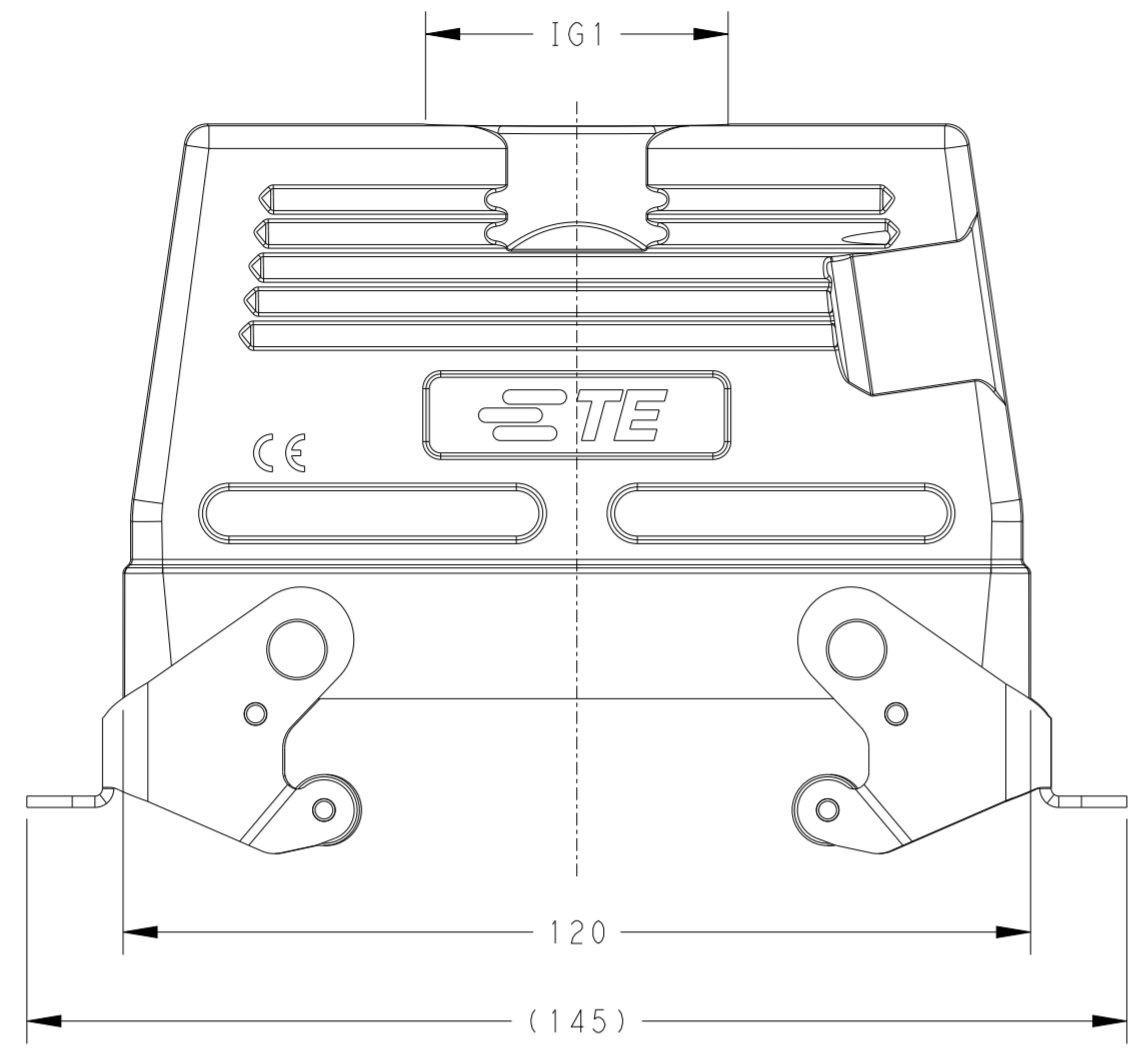


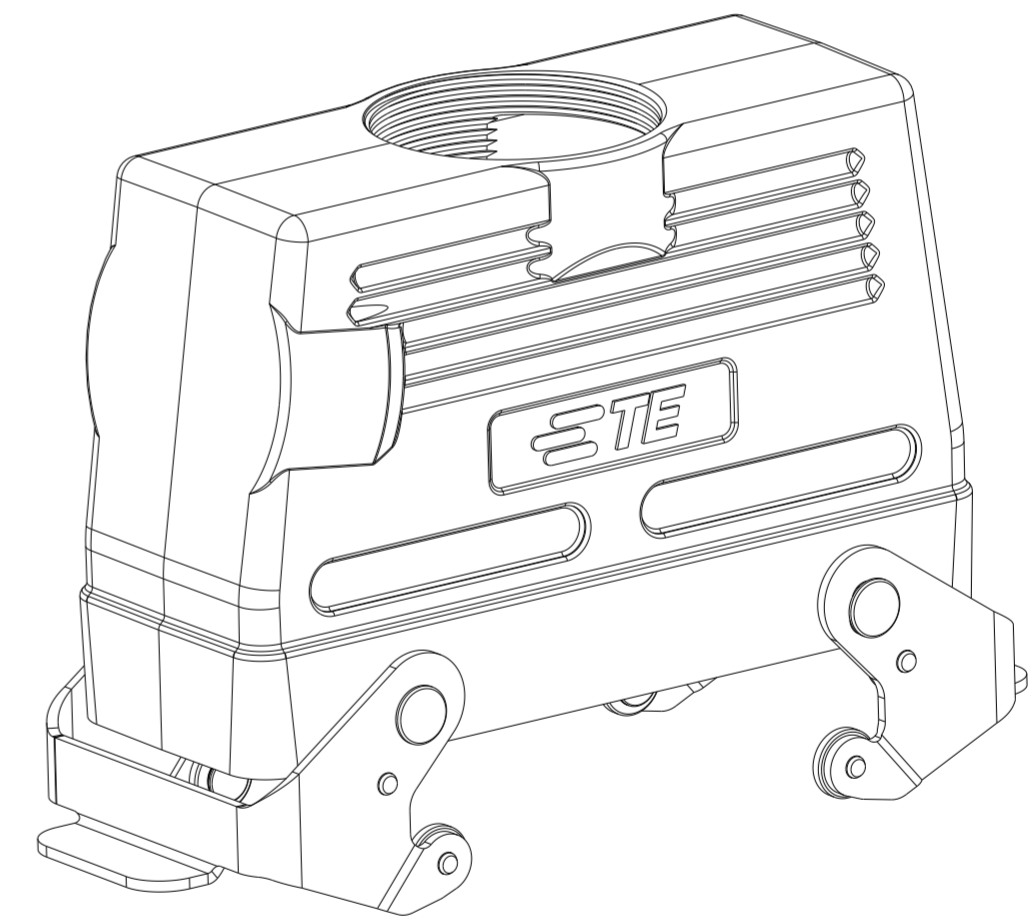
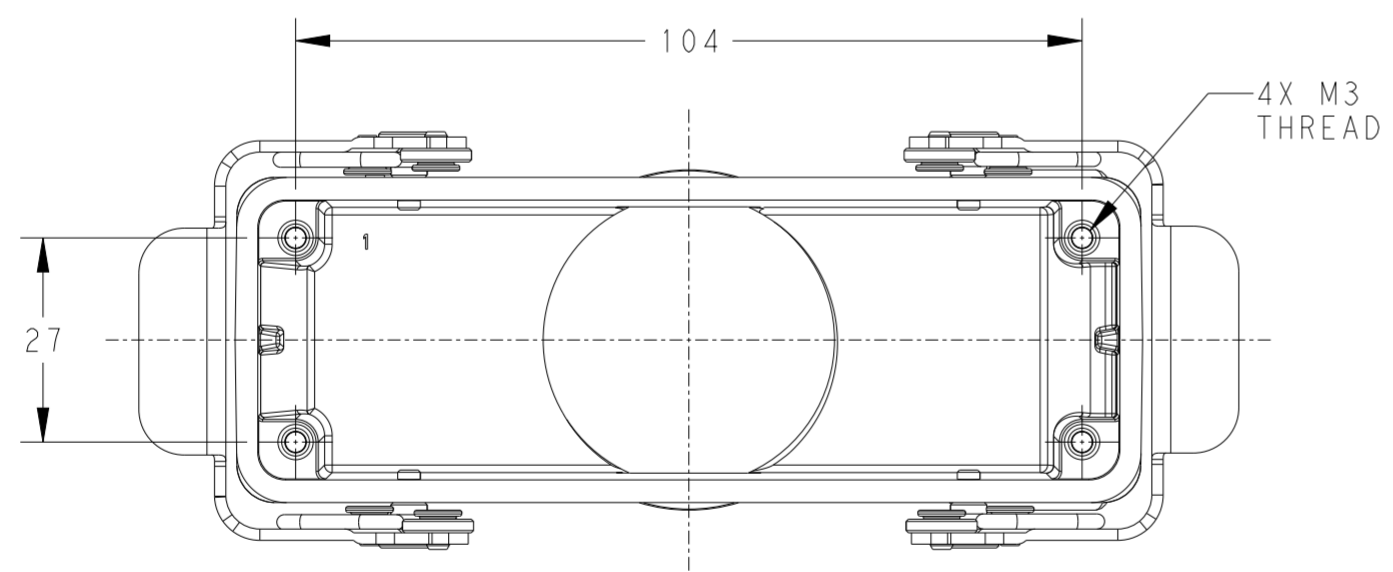
THIS DRAWING IS UNPUBLISHED. RELEASED FOR PUBLICATION 20
 © COPYRIGHT 20 BY - ALL RIGHTS RESERVED.

REVISIONS				
P	LTR	DESCRIPTION	DATE	APVD
A		INITIAL	06JUN2015	DW CW
B		ECR-20-014876	10NOV2020	WOR CW



NOTES:
 1. TECHNICAL CHARACTERISTICS:
 HOOD MATERIAL: DIE CAST ALUMINIUM ALLOY
 SURFACE: POWDER COATED, GREY
 DEGREE OF PROTECTION: IP65 (MATED)

注释:
 1. 技术参数:
 上壳材料: 铝合金
 表面处理: 粉末涂层, 灰色
 防护等级: IP65(配合)



T1280243121-000	H24B-TGBHS-PG21	HIGH CONSTRUCTION	PG21
T1280243129-000	H24B-TGBHS-PG29		PG29
T1280243125-000	H24B-TGBHS-M25		M25
T1280243132-000	H24B-TGBHS-M32		M32
T1280243140-000	H24B-TGBHS-M40		M40
PART NUMBER	DESCRIPTION	TYPE	IG1

DIMENSIONS:		TOLERANCES UNLESS OTHERWISE SPECIFIED:		APVD		NAME	
mm		0 PLC ±	1 PLC ±	David Wang	06JUN2015	STC TE Connectivity	
		2 PLC ±	3 PLC ±	Chris Wang	06JUN2015	H24B-TGBHS-M/PG	
		4 PLC ±	ANGLES ±	Xiang Xu	06JUN2015	SIZE	CAGE CODE
MATERIAL	FINISH			PRODUCT SPEC		108-137013	DRAWING NO
-	-			APPLICATION SPEC		114-137013	RESTRICTED TO
				WEIGHT		-	-
				Customer Drawing		SCALE 1:1	SHEET 1 OF 1
							REV B

单击下面可查看定价，库存，交付和生命周期等信息

[>>TE Connectivity\(泰科\)](#)