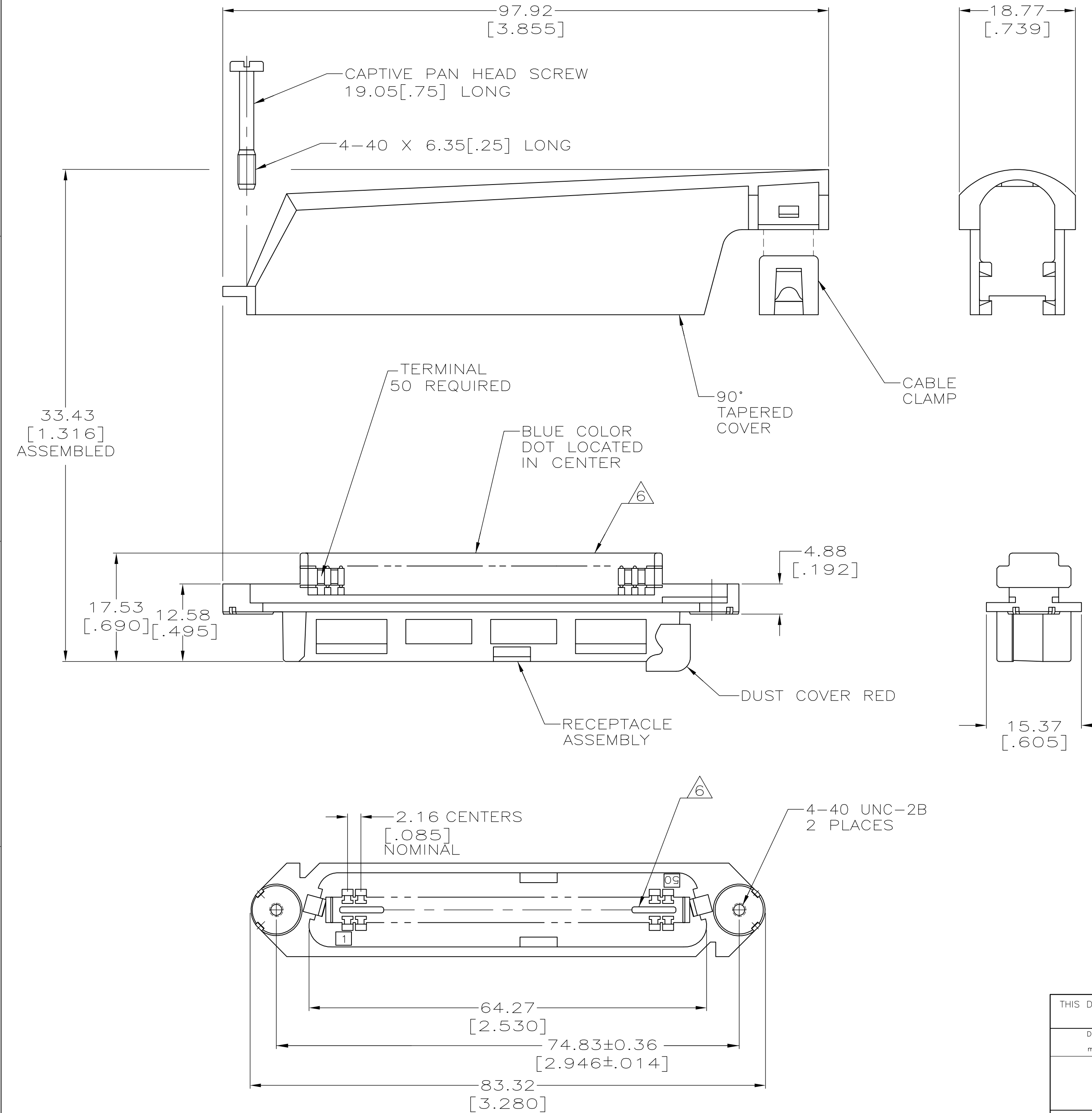


THIS DRAWING IS UNPUBLISHED. RELEASED FOR PUBLICATION  
 © COPYRIGHT - By - ALL RIGHTS RESERVED.

LOC		DIST		REVISIONS			
P	LTR	DESCRIPTION	DATE	DWN	APVD		
GP	00	AL2	REVISED PER ECO-12-019458	04APR13	BM	PR	



- THE CONTACT SURFACES OF THE TERMINALS ARE COATED WITH LUBRICANT.
- DIMENSIONS ARE MAXIMUM UNLESS OTHERWISE SPECIFIED.
- MATERIAL: HOUSING AND COVER - POLYPHENYLENE OXIDE.  
 CABLE CLAMP - POLYESTER MOLDING COMPOUND.  
 TERMINAL - HIGH STRENGTH COPPER ALLOY PLATED WITH 0.76µm [.000030] MIN GOLD OR GOLD FLASH OVER PALLADIUM NICKEL PLATE, 0.76µm [.000030] MIN TOTAL ON MATING SURFACE, OVER 1.27µm [.000050] MIN NICKEL PLATING.  
 HARDWARE - ZINC PLATED STEEL.  
 DUST COVER - POLYETHYLENE MOLDING COMPOUND.
- THIS KIT SHIPPED NOT ASSEMBLED.
- WIRE SIZE: 24 & 26 AWG SOLID & 24 AWG STRAND COPPER CONDUCTORS. MAXIMUM INSULATION DIAMETER OF 1.15 [.045] IS ACCEPTABLE FOR MOST APPLICATIONS.
- CORING MAY OR MAY NOT APPEAR AND IS AT THE DISCRETION OF AMP INCORPORATED.
- OBSOLETE

PACKAGING	CABLE RANGE	DUST COVER	COLOR	PART NUMBER
BULK PACKED	φ7.62-8.26 [φ.300-.325]	YES	BLACK	6-229913-7
	φ8.89-10.80 [φ.350-.425]	YES	GRAY	6-229913-4
		YES	BLACK	6-229913-3
POLY BAGGED	φ10.80-12.70 [φ.425-.500]	NO	BLACK	6-229913-1
		YES	BLACK	3-229913-1
	φ8.89-10.80 [φ.350-.425]	NO	BLACK	2-229913-1
		YES	GRAY	1-229913-4
		YES	BLACK	1-229913-1
		NO	GRAY	229913-4
NO	BLACK	229913-1		

THIS DRAWING IS A CONTROLLED DOCUMENT.

DWN L. McEACHIN/UTA 30 AUG 93  
 CHK C. WHITT 09 NOV 93

APVD J. TRAMMEL 15 NOV 93

NAME: RECEPTACLE KIT, 50 POSITION, B-SLOT, SCREW LOCK, TAPERED COVER, CHAMP-LOK®

TE Connectivity

SIZE: A2 CAGE CODE: 00779 DRAWING NO: C-229913 RESTRICTED TO: -

SCALE: 2:1 SHEET: 1 OF 1 REV: AL2

CUSTOMER DRAWING

单击下面可查看定价，库存，交付和生命周期等信息

[>>TE Connectivity\(泰科\)](#)