

REVISIONS

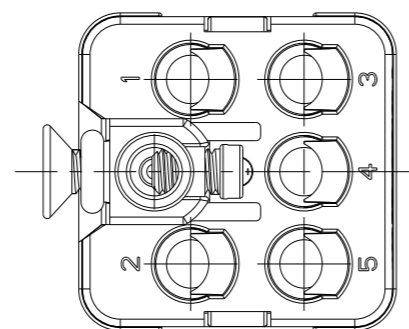
P	LTR	DESCRIPTION	DATE	DWN	APVD
B1	ECR-15-016505		11NOV2015	DL	CW
B2	ECR-16-009730		06JUL2016	BS	CW
B3	ECR-16-018198		13FEB2017	QY	CW
C	ECR-21-117384		09NOV2021	WQR	CW

NOTES:

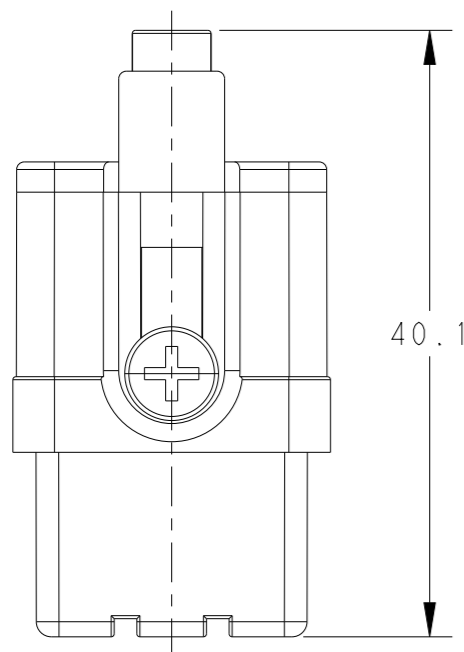
- TECHNICAL CHARACTERISTICS:
 INSULATION MATERIAL: PC
 RATED VOLTAGE: 400 V
 RATED CURRENT: 16 A
 INSULATION RESISTANCE: $\geq 400M\Omega$
 RATED IMPULSE VOLTAGE: 4 KV
 POLLUTION DEGREE: 3
 FLAMMABILITY: UL94V-0
 MATING CYCLES: 500 CYCLES
 WIRE RANGE: 0.14-4.0 mm² (26-12 AWG)
 CONTACT TYPE: CRIMP CONTACT
- CONTACT NEED TO BE ORDERED SEPARATELY.
 (ORDER No. REFER TO DRAWING: T20300X20XX000)

注释:

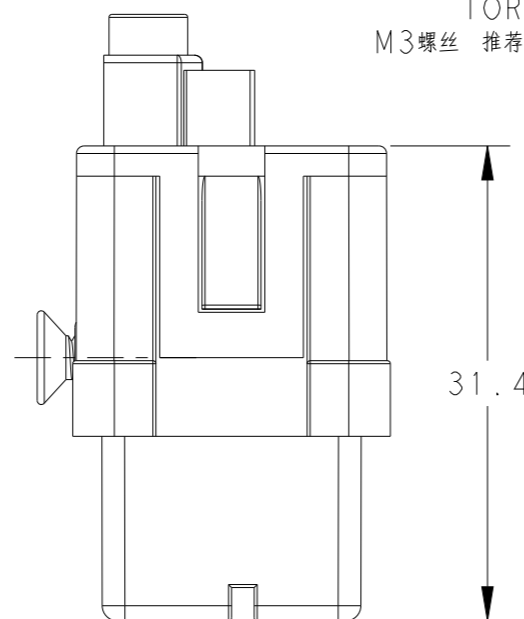
- 技术参数:
 绝缘材料: PC
 额定电压: 400V
 额定电流: 16A
 绝缘电阻: $\geq 400M\Omega$
 额定脉冲电压: 4 KV
 污染等级: 3
 阻燃等级: UL94V-0
 插拔次数: 500次
 接线范围: 0.14-4.0 mm² (26-12 AWG)
 接线类型: 冷压接
- 端子需要单独订购。
 (订货号参考图面: T20300X20XX000)



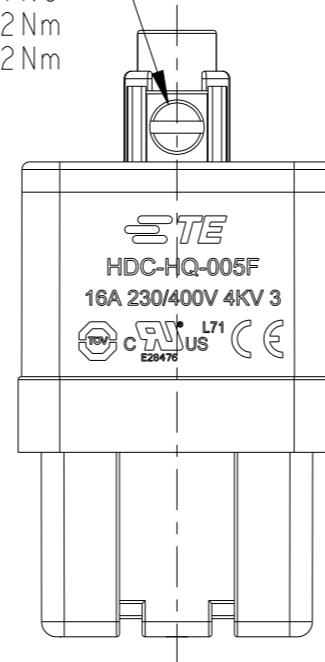
M3 SCREW
 RECOMMENDED
 TIGHTENING
 TORQUE 0.2Nm
 M3螺丝 推荐锁紧力矩0.2Nm



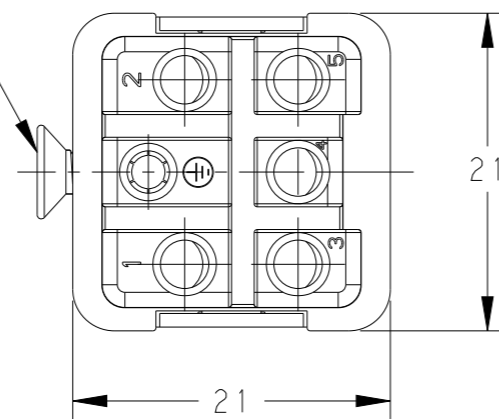
40.1



31.4



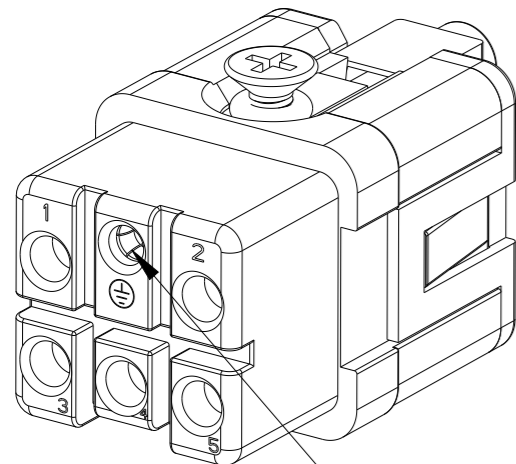
M3 SCREW RECOMMENDED
 TIGHTENING TORQUE 0.2Nm
 M3螺丝 推荐锁紧力矩0.2Nm



21

TYPE-1: T2080052201-000 TE LOGO
 类型-1: T2080052201-000 TE LOGO

TYPE-2: T2080052201-001 STAINLESS STEEL SCREW, TE LOGO
 类型-2: T2080052201-001 不锈钢螺丝, TE LOGO



GROUNDING CONTACT TYPE: SCREW CONTACT
 GROUNDING CONTACT FINISH: SILVER PLATED
 WIRE RANGE: 2.5mm (AWG14)
 接地端子类型: 螺丝连接端子 / 接地端子表面处理: 镀银 / 接线范围: 2.5mm² (AWG14)

THIS DRAWING IS A CONTROLLED DOCUMENT.		DWN	10JAN2015	TE Connectivity	
		CHK	10JAN2015		
		APVD	10JAN2015		
		NAME	Xiang Xu		
DIMENSIONS: mm		TOLERANCES UNLESS OTHERWISE SPECIFIED:		NAME HQ-005-F	
0 PLC ±-		1 PLC ±-		PRODUCT SPEC 108-137054	
1 PLC ±-		2 PLC ±-		APPLICATION SPEC 114-137054	
2 PLC ±-		3 PLC ±-		SIZE A3	
3 PLC ±-		4 PLC ±-		CAGE CODE 00779	
4 PLC ±-		ANGLES ±-		DRAWING NO T2080052201000	
MATERIAL		FINISH		RESTRICTED TO	
-		-		-	
-		-		-	
Customer Drawing				SCALE	2:1
				SHEET	1 OF 2
				REV	C

4

3

2

1

THIS DRAWING IS UNPUBLISHED.

RELEASED FOR PUBLICATION

20

REVISIONS

© COPYRIGHT 20 BY -

ALL RIGHTS RESERVED.

P	LTR	DESCRIPTION	DATE	DWN	APVD
-		SEE SHEET 1	-	-	-

NOTES:
SEE SHEET 1

注释:
见页 1

TYPE-3: T2080052201-002 STAINLESS STEEL SCREW, NO LOGO
类型-3: T2080052201-002 不锈钢螺丝, 无LOGO

ALL DIMENSIONS ARE SAME AS TYPE 1,
EXCEPT THOSE DEFINED IN THIS TYPE.
除了在本类型中定义的尺寸外, 其它尺寸同类型 1

T2080052201-002	HQ-005-F	HQ-005 FEMALE INSERT, STAINLESS STEEL SCREW, NO LOGO HQ-005 母插, 不锈钢螺丝, 无LOGO	TYPE-3 类型-3
T2080052201-001	HQ-005-F	HQ-005 FEMALE INSERT, STAINLESS STEEL SCREW HQ-005 母插, 不锈钢螺丝	TYPE-2 类型-2
T2080052201-000	HQ-005-F	HQ-005 FEMALE INSERT HQ-005 母插	TYPE-1 类型-1
PART NUMBER 料号	PART DESCRIPTION 描述		TYPE 类型

THIS DRAWING IS A CONTROLLED DOCUMENT.		DWN 10JAN2015 David Wang		
		CHK 10JAN2015 Chris Wang		
		APVD 10JAN2015 Xiang Xu		
DIMENSIONS: mm		PRODUCT SPEC 108-137054		NAME HQ-005-F
TOLERANCES UNLESS OTHERWISE SPECIFIED:		APPLICATION SPEC 114-137054		SIZE A3
0 PLC ±-		WEIGHT -		CAGE CODE 00779
1 PLC ±-		Customer Drawing		DRAWING NO T2080052201000
2 PLC ±-		SCALE 2:1		RESTRICTED TO -
3 PLC ±-		SHEET 2 OF 2		REV C
4 PLC ±-				
ANGLES ±-				
FINISH				
-				
-				

1470-19 (3/13)

Downloaded From Onevac.com

单击下面可查看定价，库存，交付和生命周期等信息

[>>TE Connectivity\(泰科\)](#)