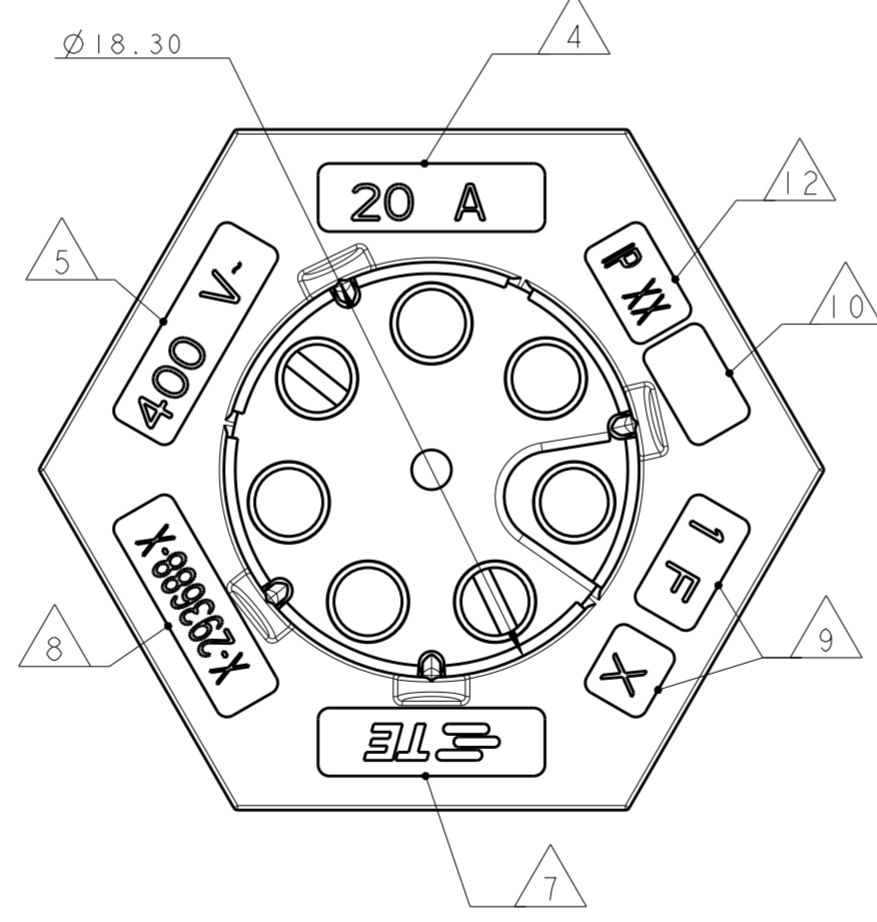
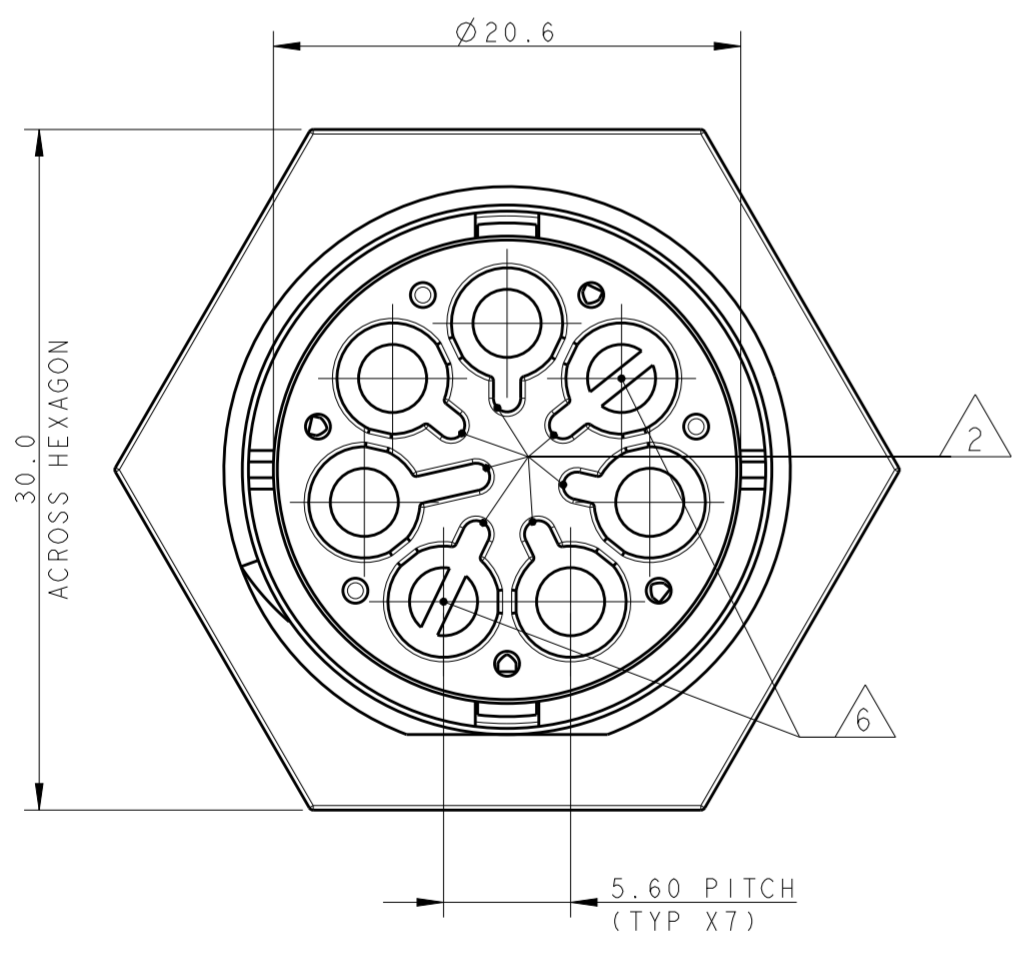
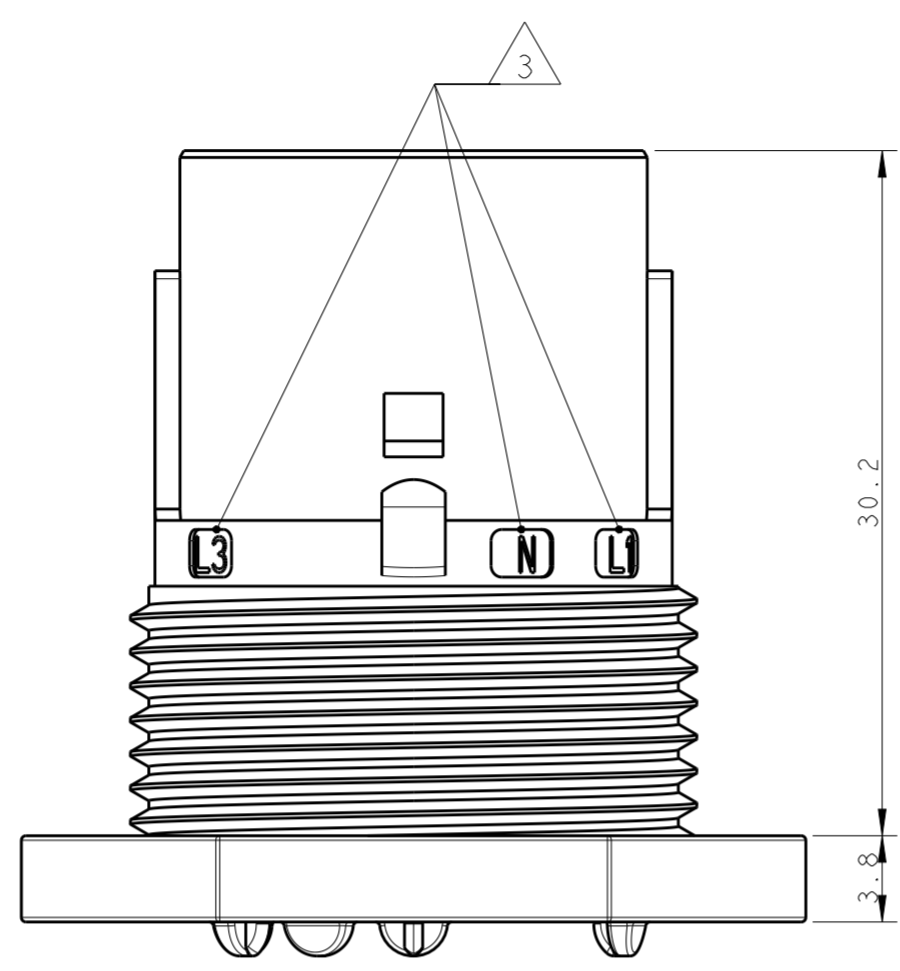
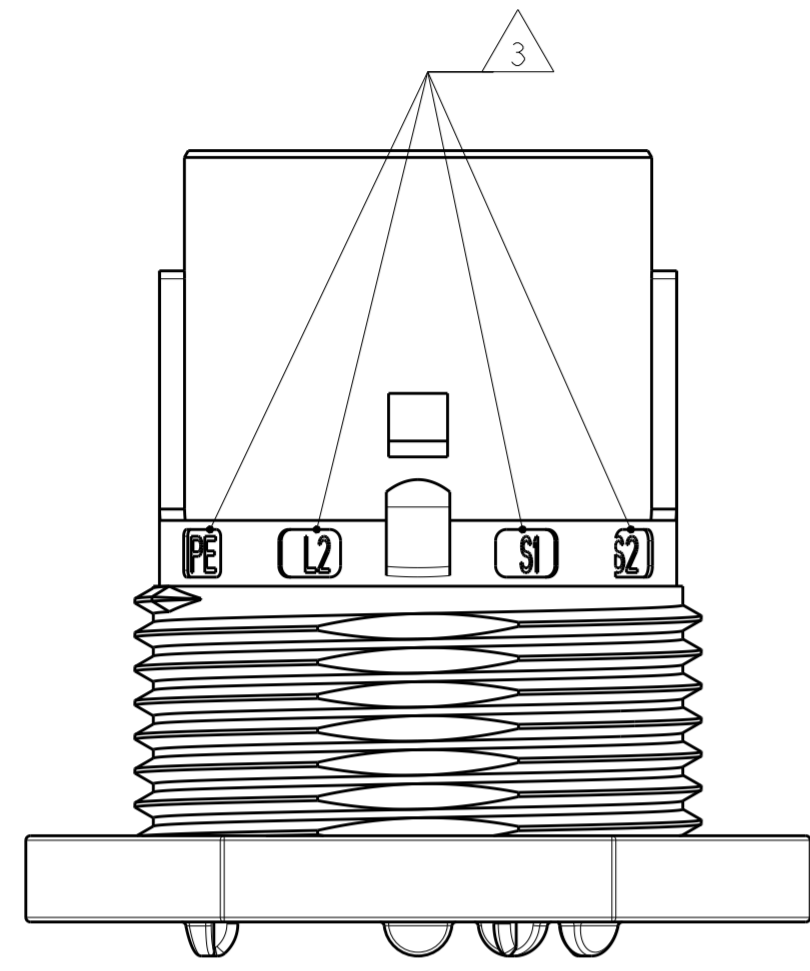


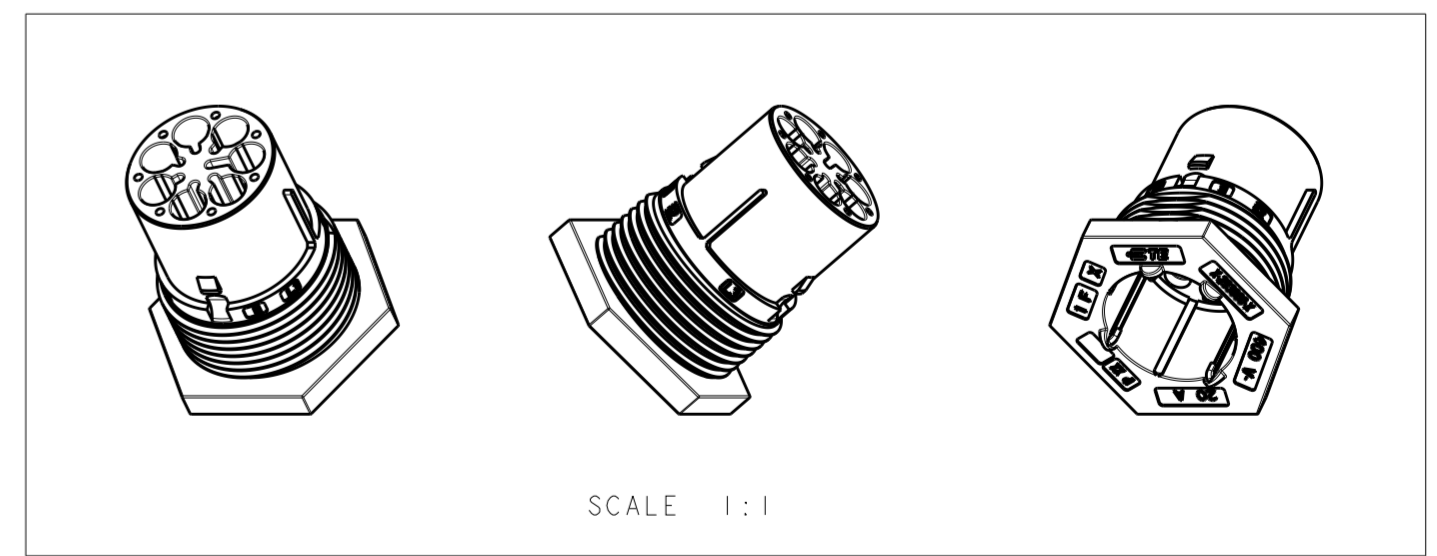
THIS DRAWING IS UNPUBLISHED. RELEASED FOR PUBLICATION 2011. ALL RIGHTS RESERVED.

LOC		DIST		REVISIONS			
P	LTR	DESCRIPTION		DATE	DWN	APVD	
	5	UPDATED		22JUL2013	MZ	JC	
	6	REVISED LATCH SHAPE		09AUG2013	KR	JC	
	A	PARTS RELEASED FOR PRODUCTION		13NOV2013	MZ	JC	
	A1	ECR-18-006945		30MAY2018	SR	MZ	



NOTES:

- 1 MATERIAL: PA GF (NATURAL AND BLACK COLOUR)
  - 2 ALL POLARIZATION KEYS SHOWN FOR REF ONLY
  - 3 WAYS I.D.
  - 4 CURRENT RATING
  - 5 VOLTAGE RATING
  - 6 RIB CLOSING CAVITIES BY CHANGE OVER
  - 7 TE LOGO
  - 8 TE PART NUMBER
  - 9 DATA CODE AND CAVITY I.D.
  - 10 AREA FOR AGENCIES APPROVAL LOGO
- 11) SEE C-DRAWING 293682 (LOCKING CAP) TO GET IP 40
- 12 IP CODE
  - 13 POLARISATION KEY "TYPE D" SUITABLE FOR DALI APPLICATION



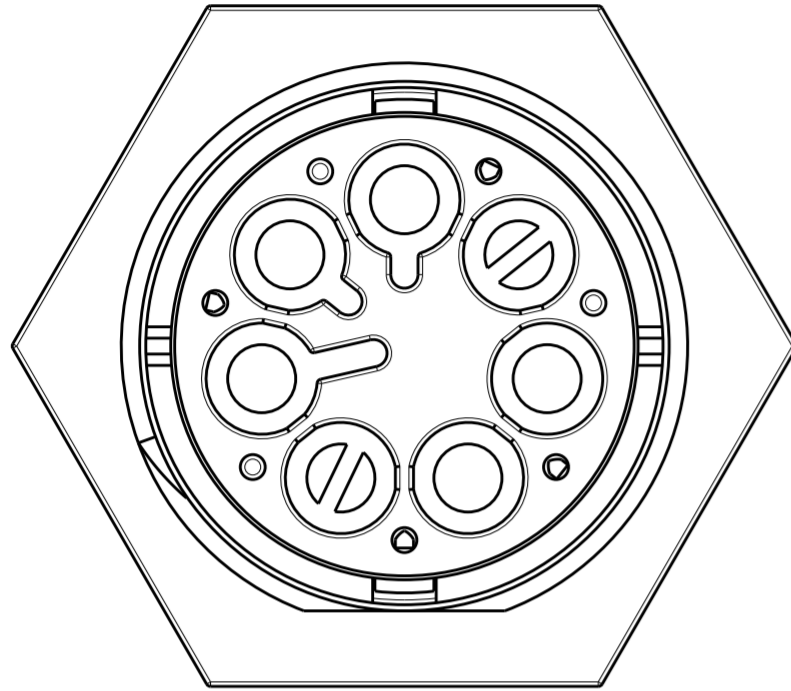
THIS DRAWING IS A CONTROLLED DOCUMENT.		DWN	M. ZUCCA	01APR2011	TE Connectivity
		CHK	M. ZUCCA	01APR2011	
		APVD	G. TURCO	01APR2011	
		PRODUCT SPEC			
DIMENSIONS: mm 		TOLERANCES UNLESS OTHERWISE SPECIFIED: 0 PLC ± 1 PLC ±0.3 2 PLC ±0.20 3 PLC ± 4 PLC ± ANGLES ±3° FINISH		NAME: PIN HOUSING PANEL MOUNT NECTOR* M-LINE 5 POLES UNSEALED VERSION	
MATERIAL		WEIGHT		SIZE: A20779 CAGE CODE: C-293688 DRAWING NO: C-293688 RESTRICTED TO: -	
		Customer Drawing		SCALE: 3:1 SHEET 1 OF 3 REV A1	

THIS DRAWING IS UNPUBLISHED. RELEASED FOR PUBLICATION 2011  
 © COPYRIGHT 2011 ALL RIGHTS RESERVED.

LOC	DIST	REVISIONS			
P	LTR	DESCRIPTION	DATE	DWN	APVD
-	-	SEE SHEET 1	-	-	-

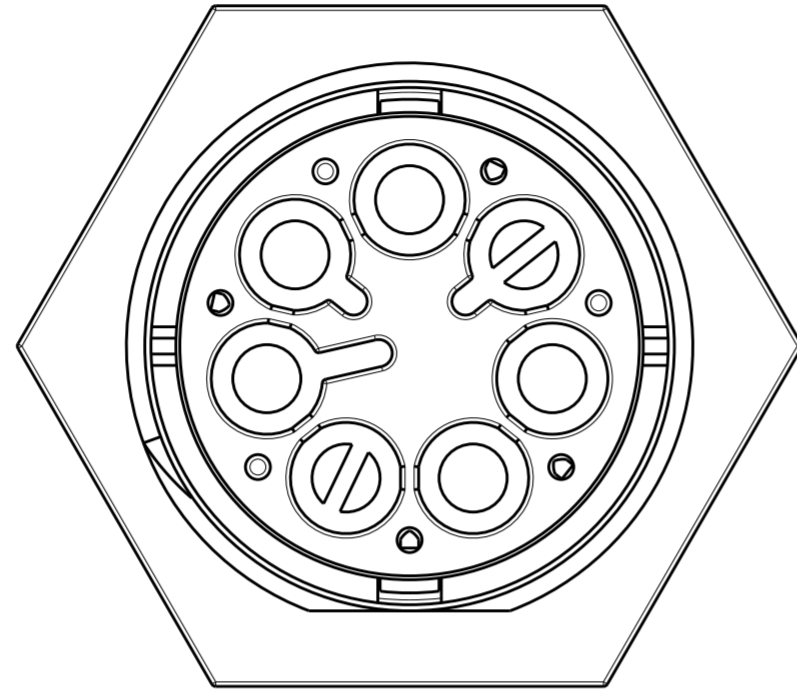
### POLARIZATION TYPES

POLARIZATION TYPE "A"



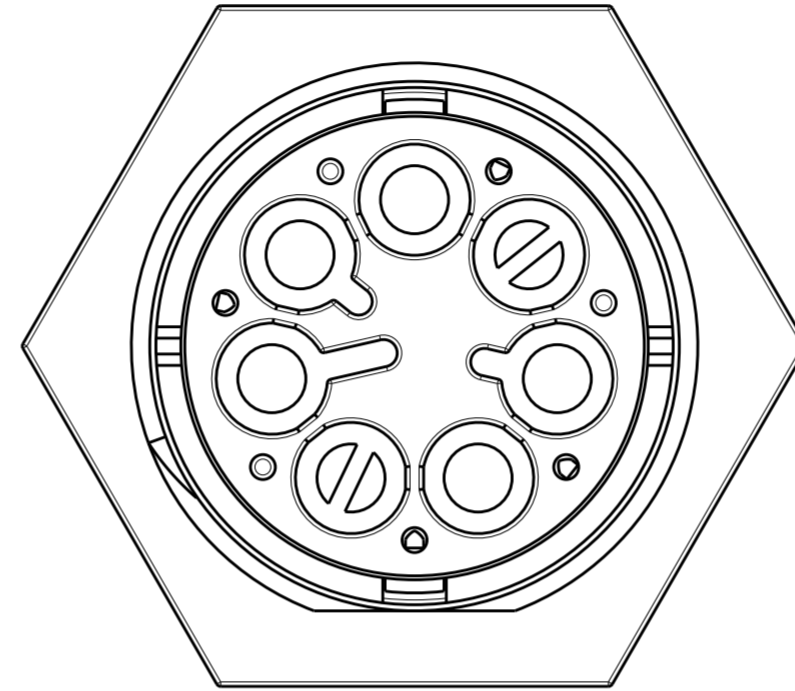
PNs 0-293688-1 AND  
1-293688-1

POLARIZATION TYPE "B"



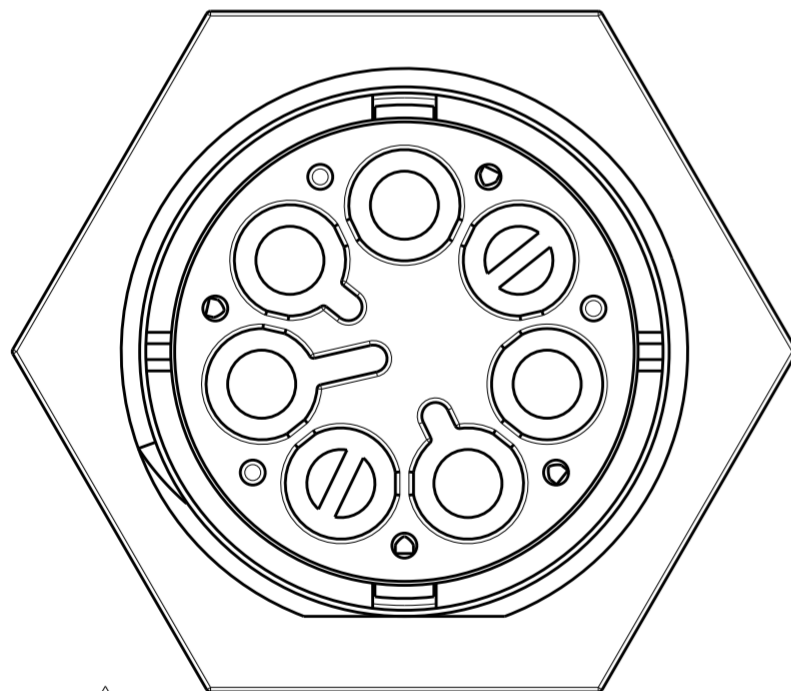
PNs 0-293688-2 AND  
1-293688-2

POLARIZATION TYPE "C"



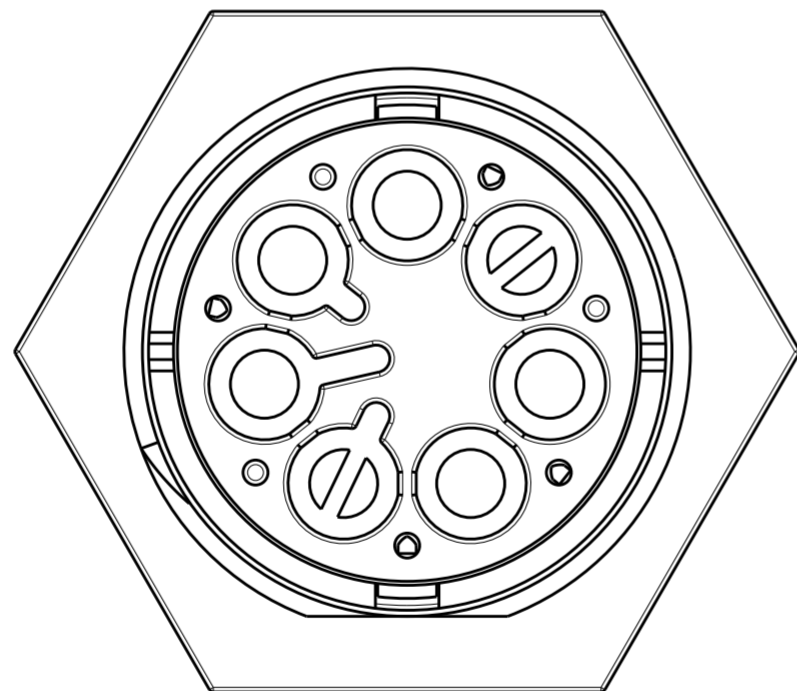
PNs 0-293688-3 AND  
1-293688-3

POLARIZATION TYPE "D"



~~PNs 0-293688-4 AND  
1-293688-4~~

POLARIZATION TYPE "E"



~~PNs 0-293688-5 AND  
1-293688-5~~

TABLE 1

NOTE	POL. KEYING	COLOUR	DESCRIPTION	REV.	P/N
OBSOLETE		E	BLACK PIN HSG 5 POLES PANEL MOUNT NECTOR* M-LINE	A	<del>1-293688-5</del>
		D	BLACK PIN HSG 5 POLES PANEL MOUNT NECTOR* M-LINE	A	<del>1-293688-4</del>
		C	BLACK PIN HSG 5 POLES PANEL MOUNT NECTOR* M-LINE	A	1-293688-3
		B	BLACK PIN HSG 5 POLES PANEL MOUNT NECTOR* M-LINE	A	1-293688-2
		A	BLACK PIN HSG 5 POLES PANEL MOUNT NECTOR* M-LINE	A	1-293688-1
OBSOLETE		E	NATURAL PIN HSG 5 POLES PANEL MOUNT NECTOR* M-LINE	A	<del>0-293688-5</del>
		D	NATURAL PIN HSG 5 POLES PANEL MOUNT NECTOR* M-LINE	A	<del>0-293688-4</del>
		C	NATURAL PIN HSG 5 POLES PANEL MOUNT NECTOR* M-LINE	A	0-293688-3
		B	NATURAL PIN HSG 5 POLES PANEL MOUNT NECTOR* M-LINE	A	0-293688-2
		A	NATURAL PIN HSG 5 POLES PANEL MOUNT NECTOR* M-LINE	A	0-293688-1

THIS DRAWING IS A CONTROLLED DOCUMENT.

DWN	M. ZUCCA	01APR2011
CHK	M. ZUCCA	01APR2011
APVD	G. TURCO	01APR2011

**STE** TE Connectivity

NAME: PIN HOUSING PANEL MOUNT  
NECTOR\* M-LINE 5 POLES  
UNSEALED VERSION

SIZE: A2 CAGE CODE: 0779 DRAWING NO: C-293688

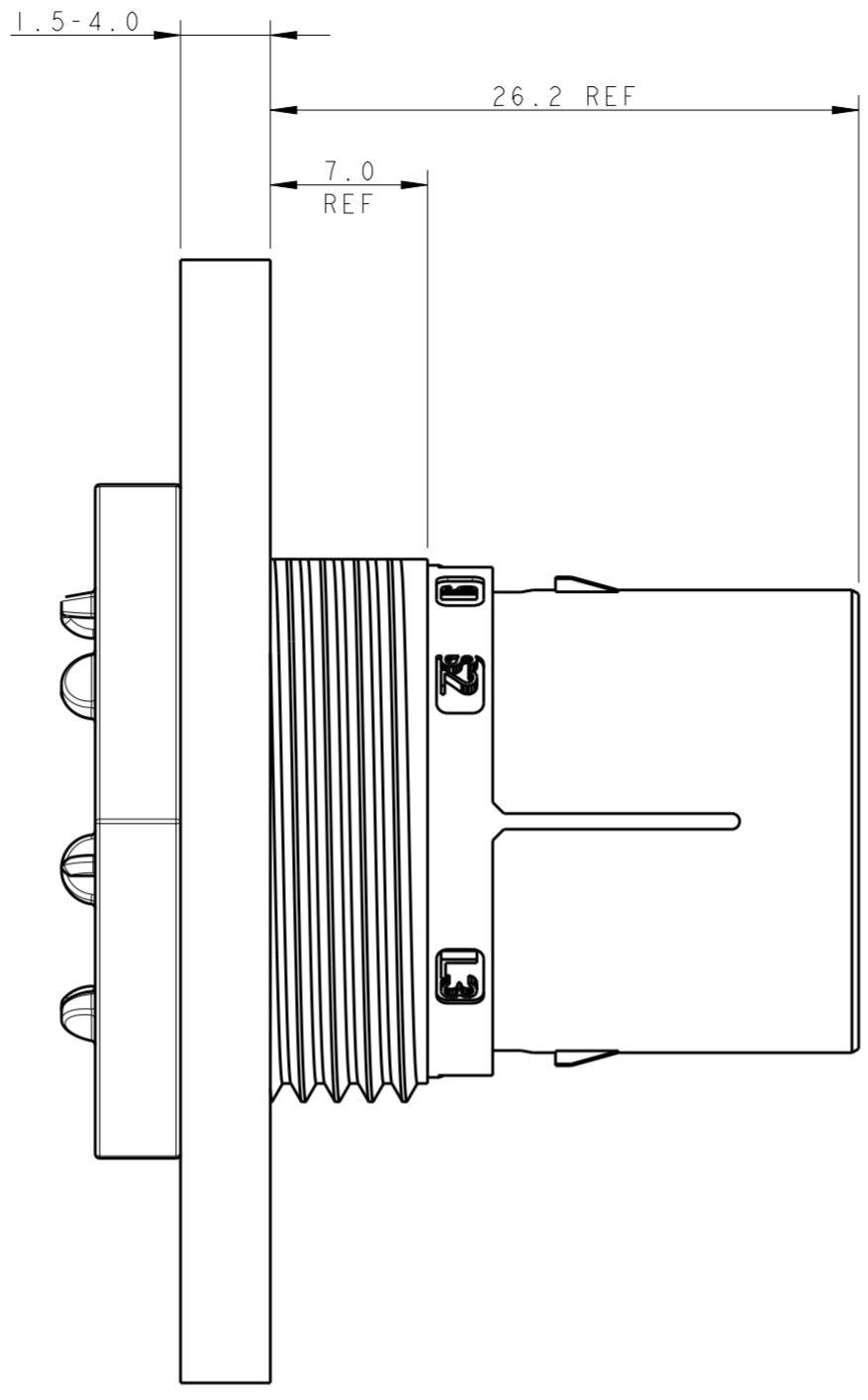
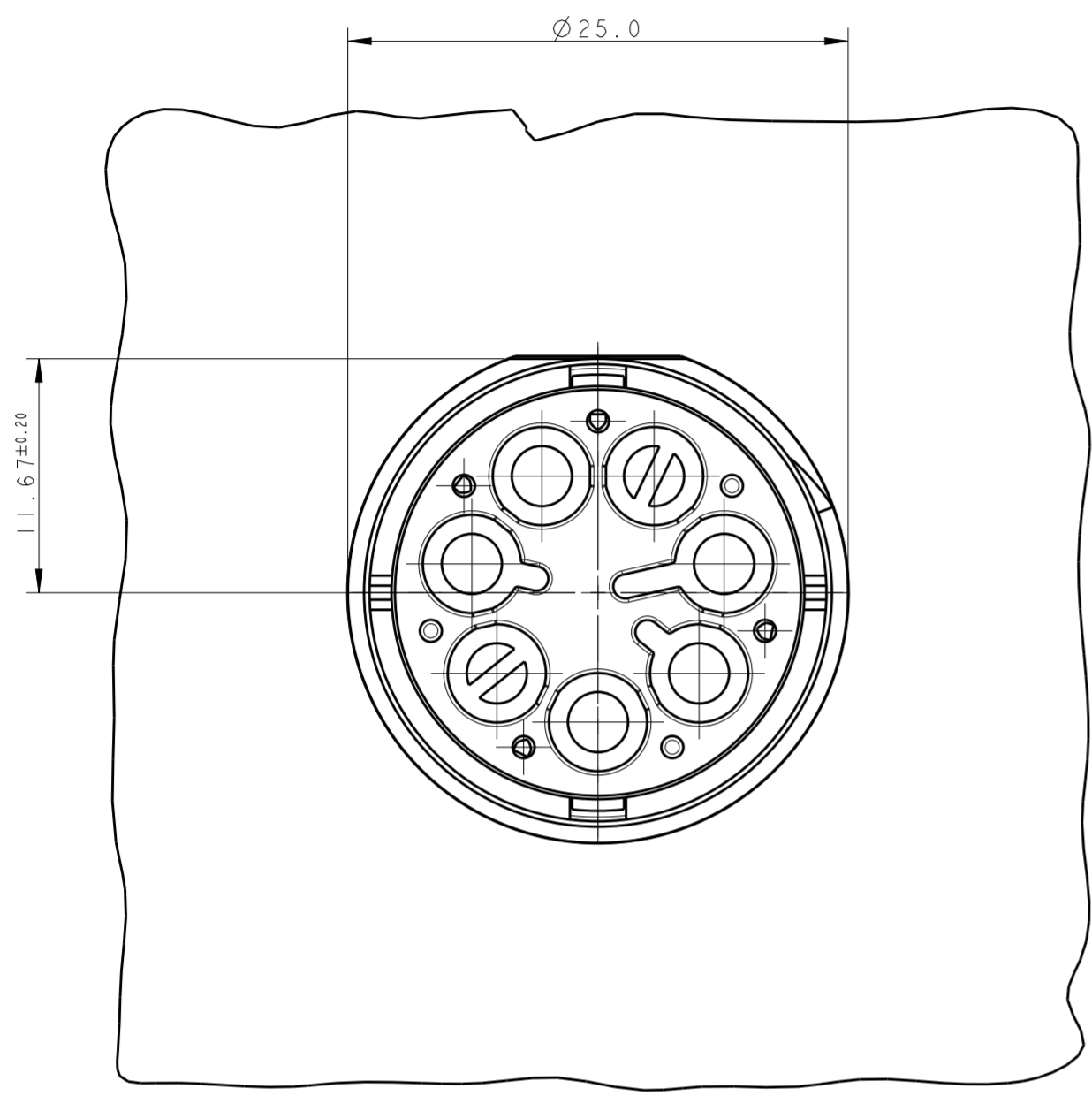
SCALE: 3:1 SHEET 2 OF 3 REV A1

Customer Drawing

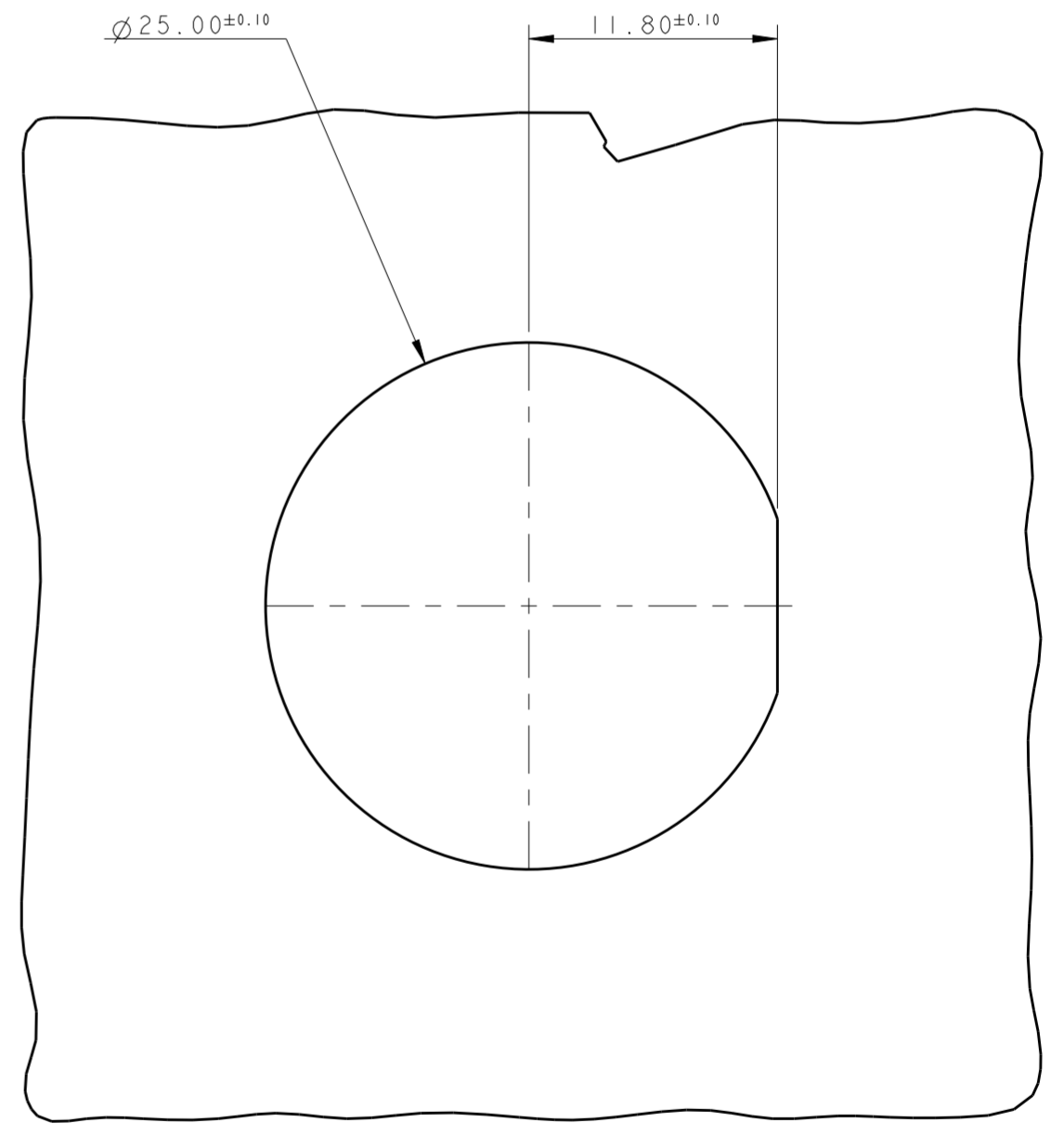
DIMENSIONS:	TOLERANCES UNLESS OTHERWISE SPECIFIED:
mm	0 PLC ±
	1 PLC ±0.3
	2 PLC ±0.20
	3 PLC ±
	4 PLC ±
	ANGLES ±3°
MATERIAL:	FINISH

THIS DRAWING IS UNPUBLISHED. RELEASED FOR PUBLICATION 2011  
 © COPYRIGHT 2011 ALL RIGHTS RESERVED.

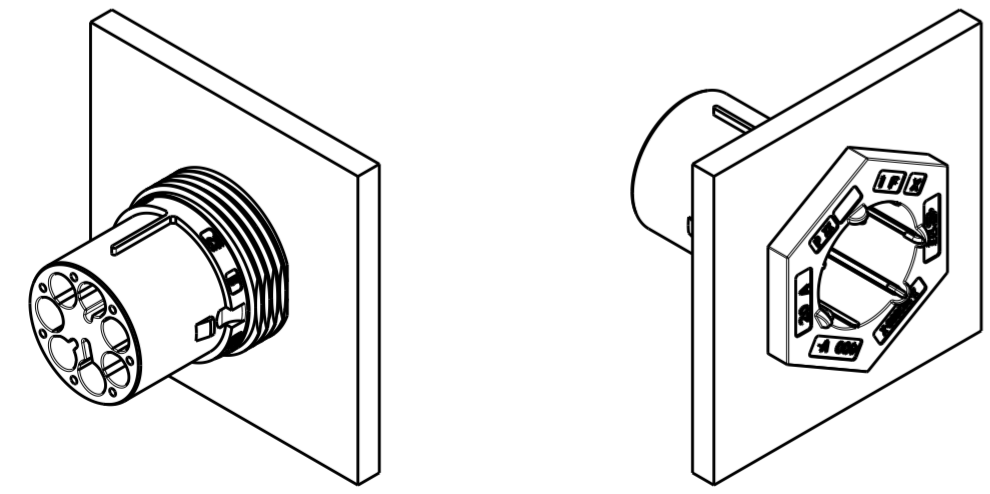
LOC	DIST	REVISIONS			
P	LTR	DESCRIPTION	DATE	DWN	APVD
-	-	SEE SHEET 1	-	-	-



### PANEL/WALL SUGGESTED LAYOUT



3D VIEWS FOR REFERENCE ONLY  
 PN 293688-1 AS SHOWN



SCALE 1:1

THIS DRAWING IS A CONTROLLED DOCUMENT.		DWN M. ZUCCA	01APR2011	 TE Connectivity	NAME PIN HOUSING PANEL MOUNT NECTOR* M-LINE 5 POLES UNSEALED VERSION		
DIMENSIONS: mm		CHK M. ZUCCA	01APR2011				
TOLERANCES UNLESS OTHERWISE SPECIFIED:		APVD G. TURCO	01APR2011				
0 PLC ± 1 PLC ±0.3 2 PLC ±0.20 3 PLC ± 4 PLC ± ANGLES ±3° FINISH		PRODUCT SPEC	-				
MATERIAL		APPLICATION SPEC	-	SIZE	CAGE CODE	DRAWING NO	RESTRICTED TO
-		WEIGHT	-	A2	0779	G-293688	-
-		Customer Drawing		SCALE 3:1	SHEET 3	OF 3	REV A1

单击下面可查看定价，库存，交付和生命周期等信息

[>>TE Connectivity\(泰科\)](#)