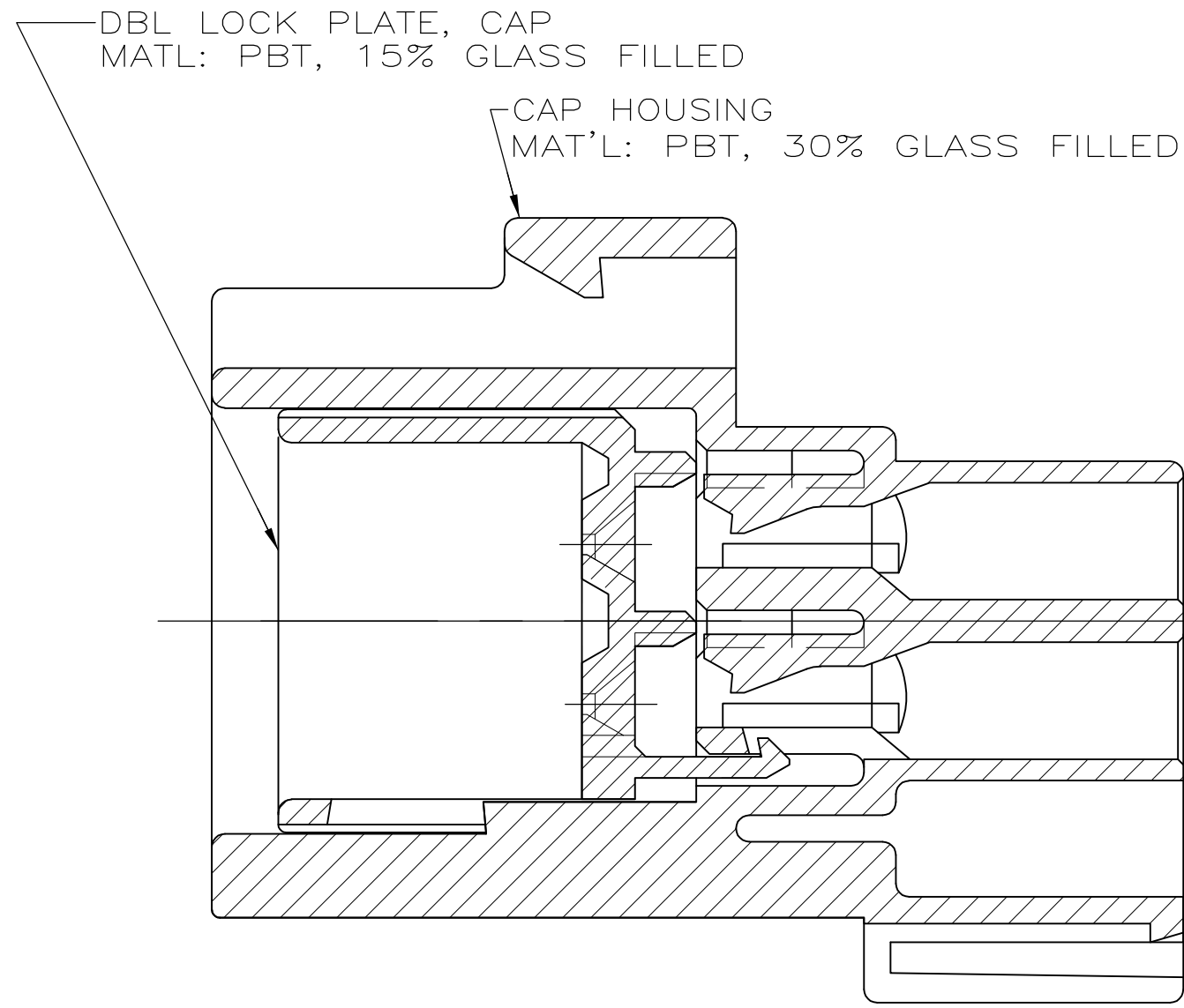
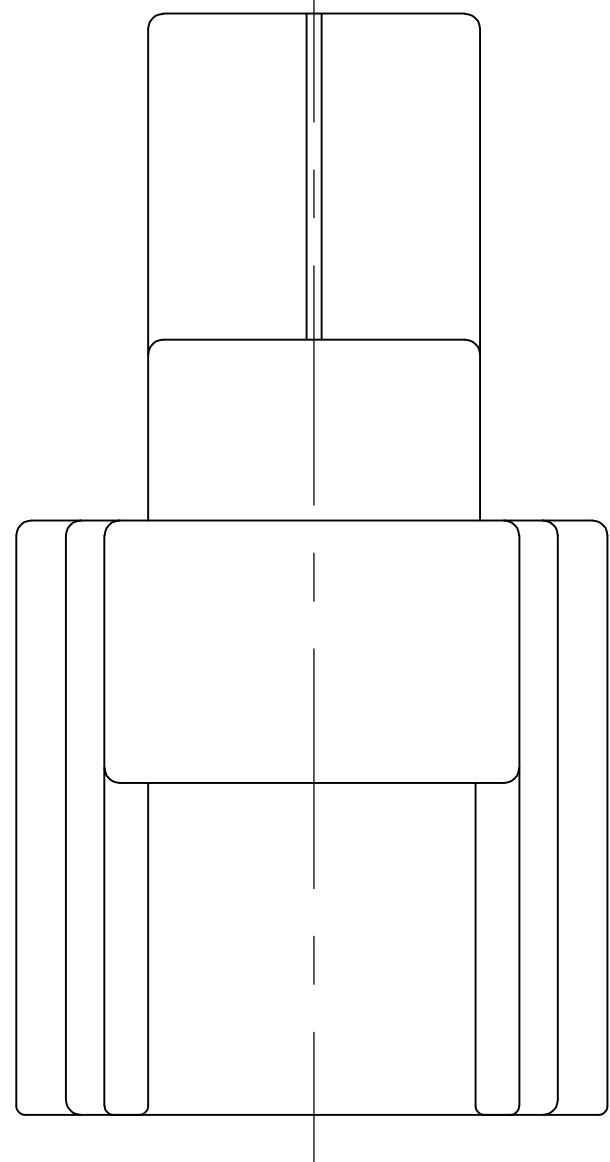
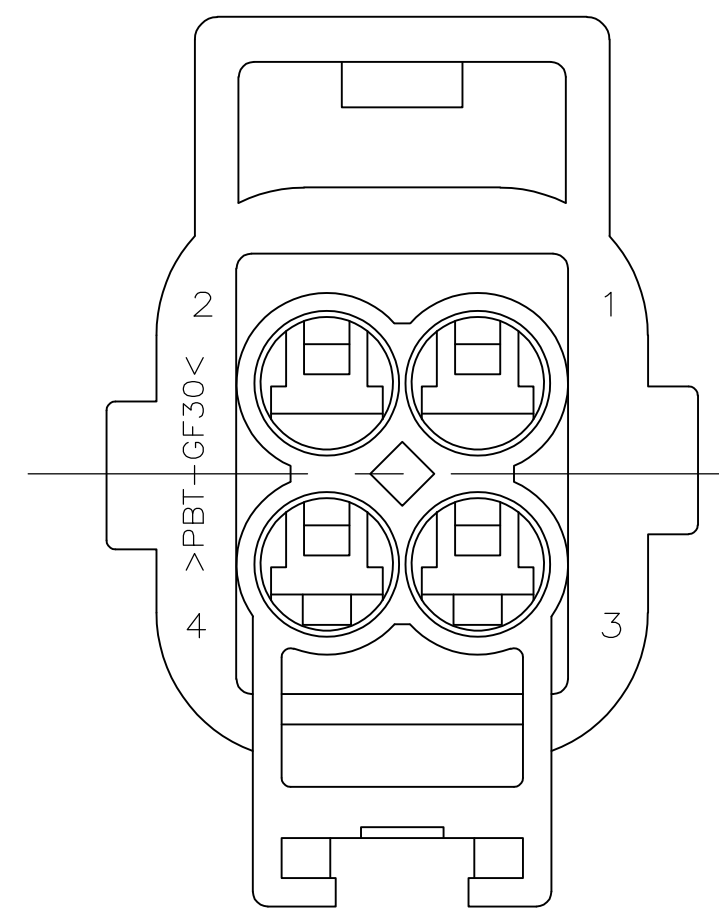
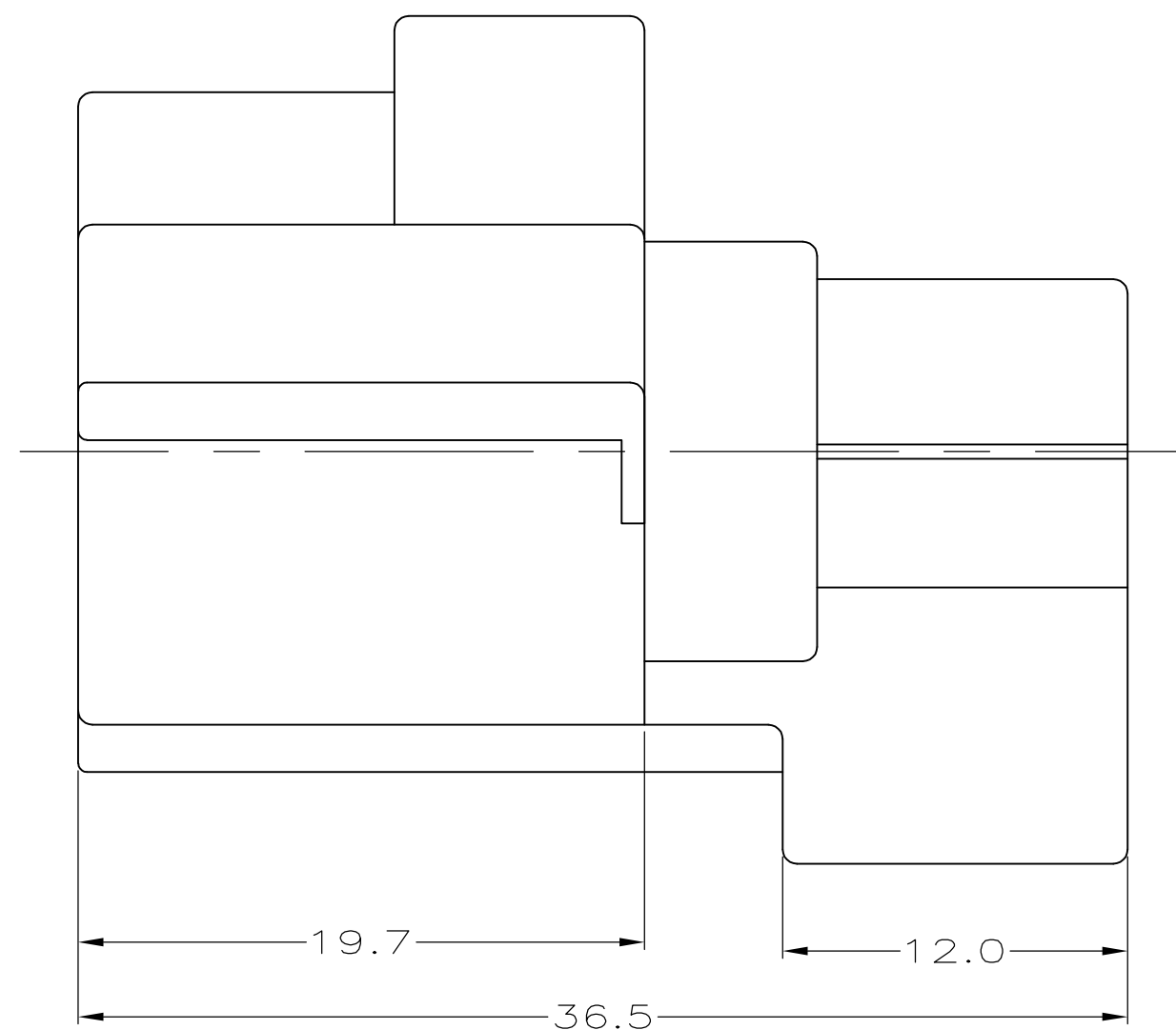
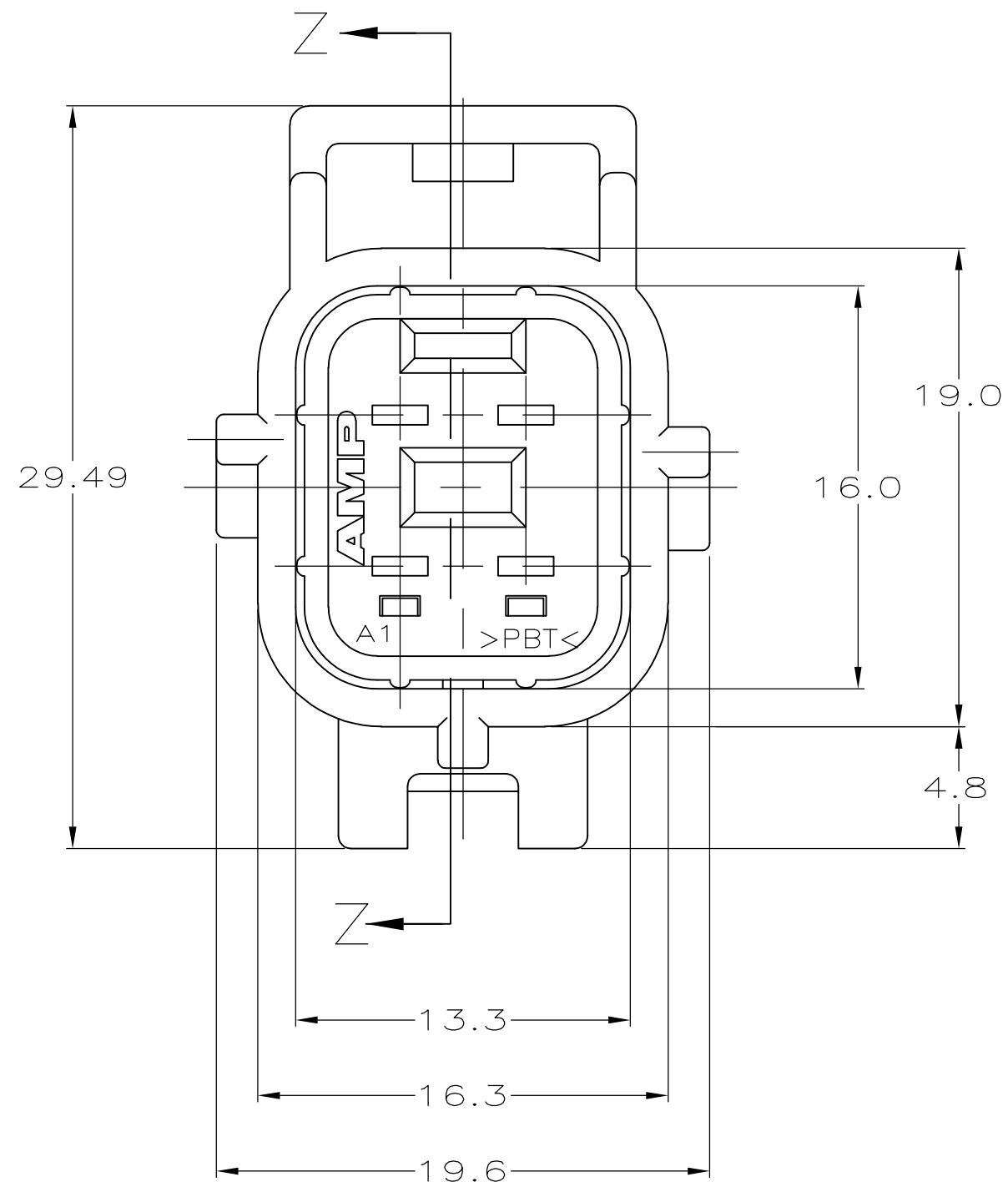


THIS DRAWING IS UNPUBLISHED. RELEASED FOR PUBLICATION
 © COPYRIGHT BY TYCO ELECTRONICS CORPORATION. ALL RIGHTS RESERVED.

LOC	DIST	REVISIONS					
GE	00	P	LTR	DESCRIPTION	DATE	DWN	APVD
		F1		REVISED PER ECO-08-020948	22AUG2008	DLD	MHB



SECTION Z-Z
SCALE 4:1



GRAY	184346-3
NATURAL	184346-2
BLACK	184346-1
CAP COLOR	PART NUMBER

THIS DRAWING IS A CONTROLLED DOCUMENT.		DWN P. YEAGER 03AUG99	Tyco Electronics Corporation Harrisburg, PA 17105-3608	
DIMENSIONS: MM		CHK G. INHOFFER 03AUG99	NAME	
TOLERANCES UNLESS OTHERWISE SPECIFIED:		APVD G. INHOFFER 03AUG99	PRODUCT SPEC	
0 PLC ± -		APPLICATION SPEC		
1 PLC ± 0.3		SIZE		
2 PLC ± 0.30		CAGE CODE		
3 PLC ± -		DRAWING NO		
4 PLC ± -		RESTRICTED TO		
ANGLES ± -		A2 00779 C=184346		
FINISH		SCALE 4:1 SHEET 1 OF 1 REV F1		
MATERIAL		CUSTOMER DRAWING		

单击下面可查看定价，库存，交付和生命周期等信息

[>>TE Connectivity\(泰科\)](#)