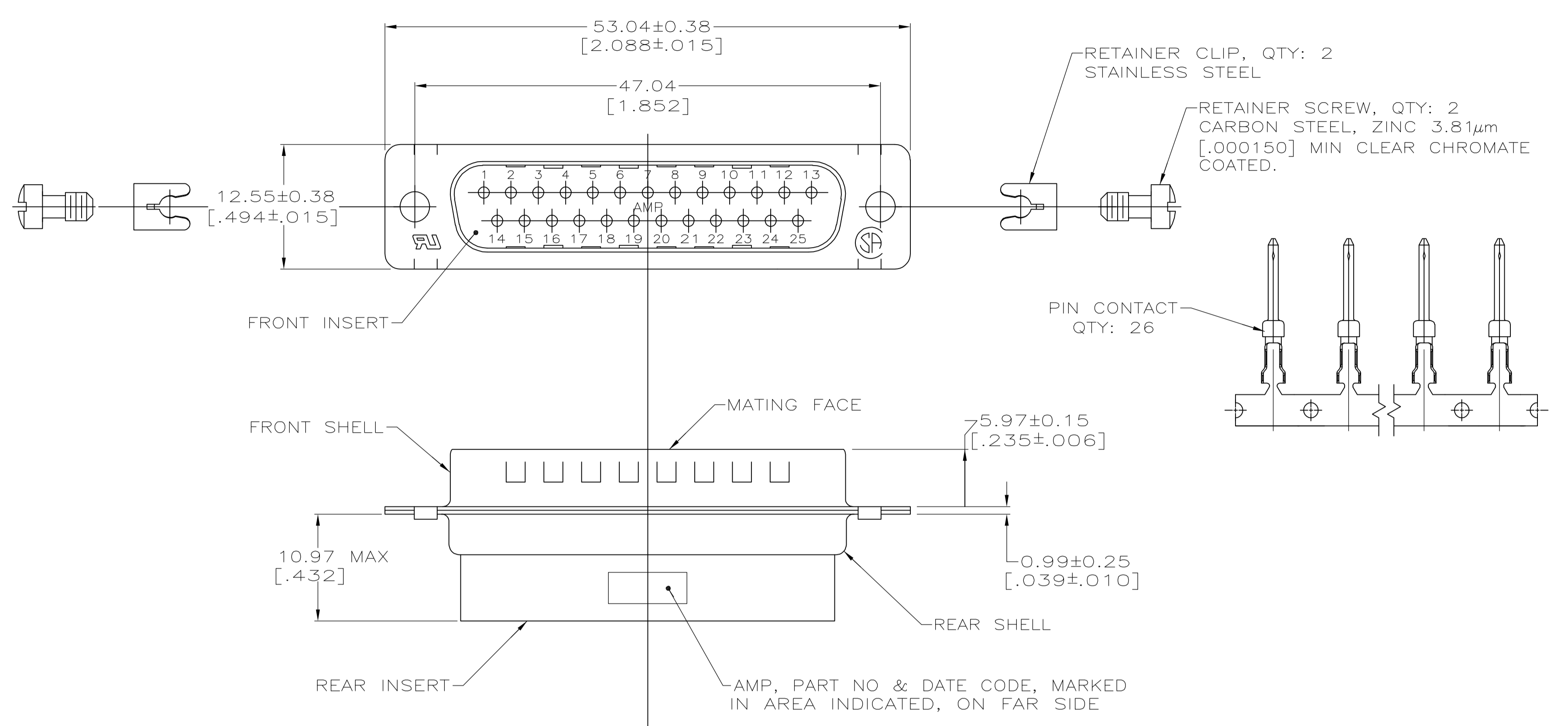
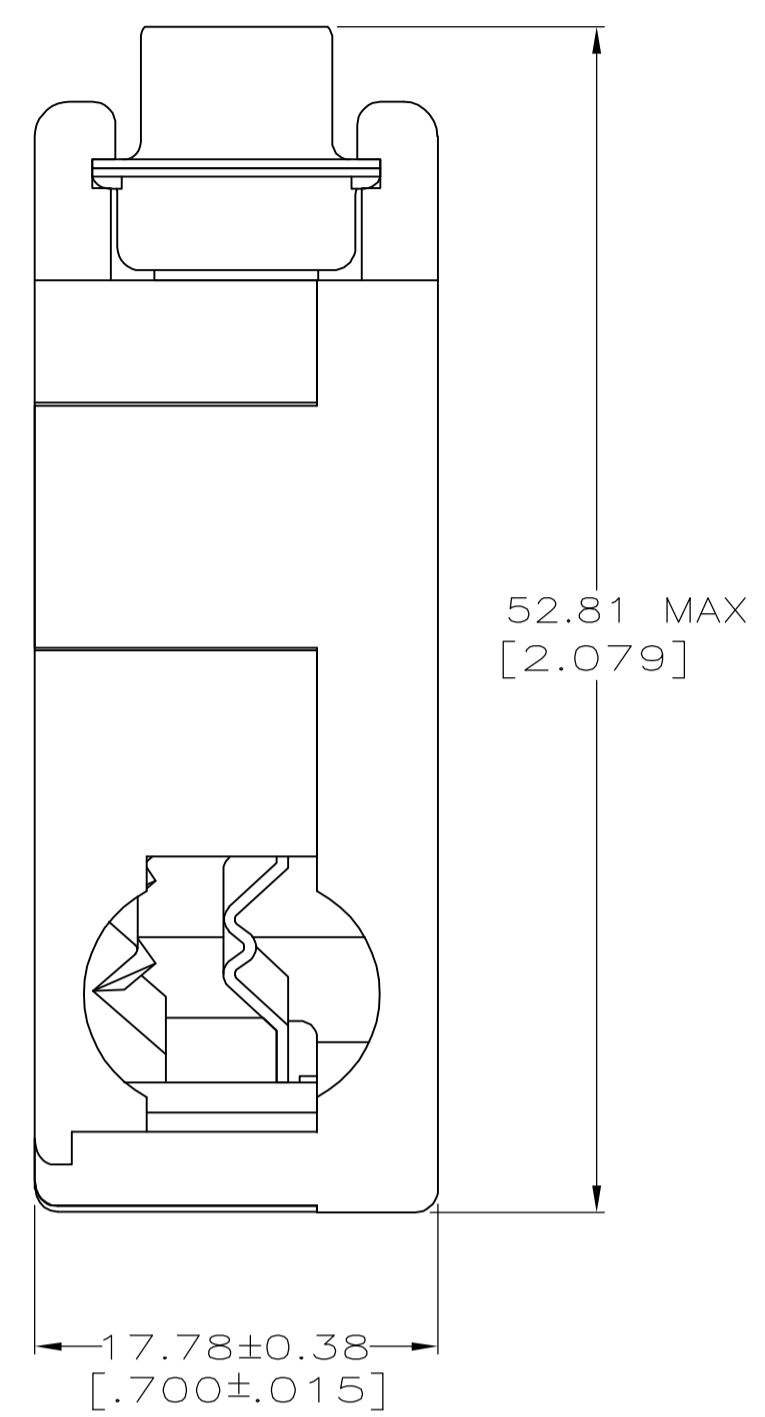
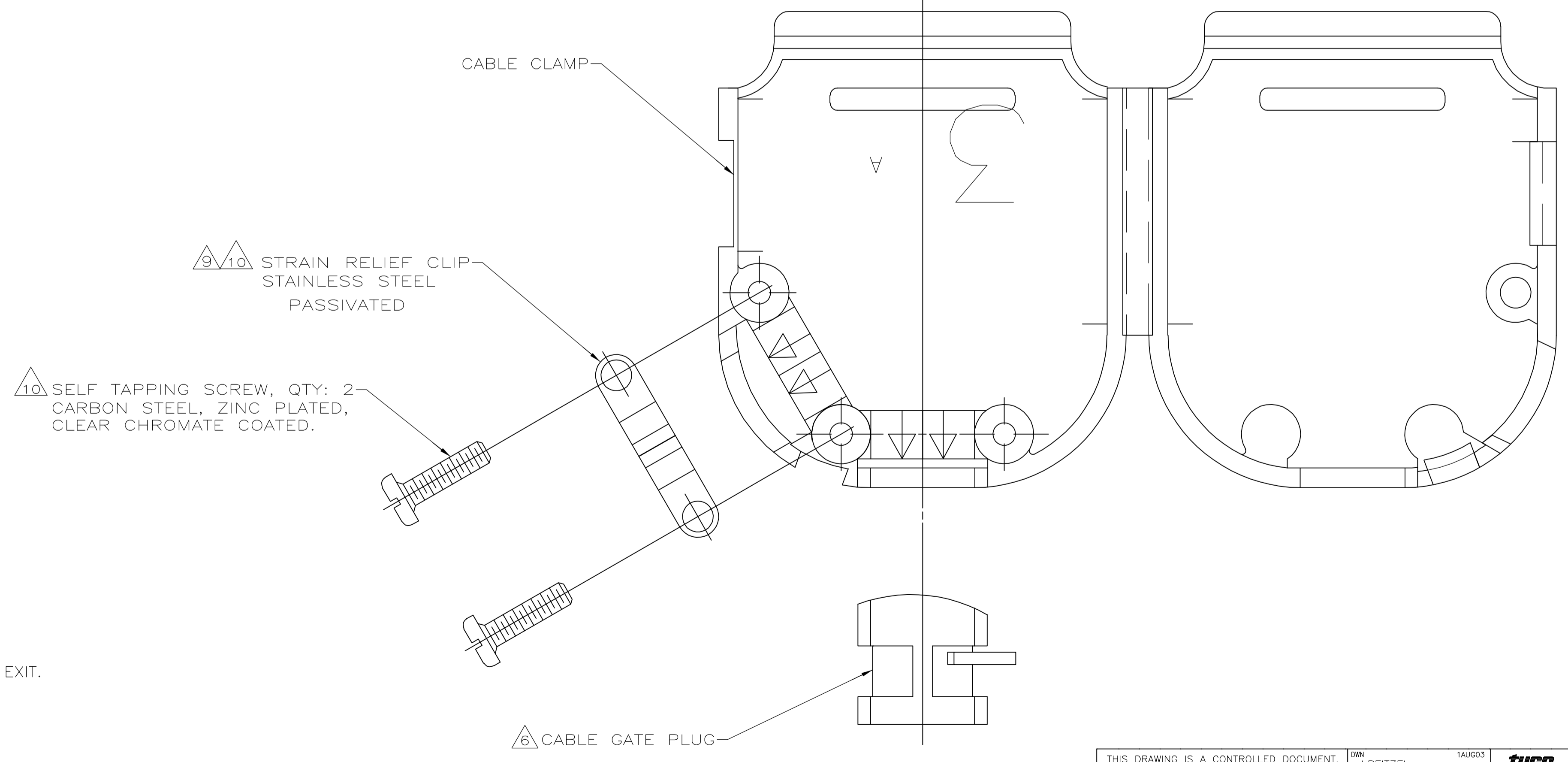


ASSEMBLED VIEW



1. CONTACTS ACCEPT 20-24 AWG RANGE.
2. INSERTS: NYLON, GLASS FILLED, UL 94V-0 RATED, BLACK.
3. CABLE CLAMPS: POLYPROPYLENE, BLACK
4. CONTACTS: BRASS.
5. SHELLS: CARBON STEEL.
6. CABLE GATE PLUG TO BE PLACED IN CABLE EXIT NOT BEING USED.
7. CONTACTS: GOLD FLASH FOR A LENGTH OF 3.81[.150] MIN FROM MATING END, 2.54µm[.000100] MIN TIN ON OPPOSITE END FOR A LENGTH OF 4.06 [.160] MIN FROM END OF INSULATION BARREL, BOTH OVER 0.76µm[.000030] MIN NICKEL ON ENTIRE CONTACT.
8. SHELLS: 5.08µm[.000200] MIN TIN OVER 2.54µm[.000100] MIN COPPER.
9. STRAIN RELIEF CLIP CAN BE REVERSED FOR PROPER INSTALLATION, DEPENDING ON SIZE OF CABLE DIAMETER.
10. STRAIN RELIEF CLIP AND SELF TAPPING SCREWS MAY BE USED AT EITHER CABLE EXIT.
11. CABLE DIAMETER RANGE = 4.58-11.68 [.180-.460].



THIS DRAWING IS A CONTROLLED DOCUMENT.		DIN	J. REITZEL	1AUG03		Tyco Electronics Corporation Harrisburg, PA 17105-3608			
DIMENSIONS: mm [INCHES]		CHK	S. BOLASH	1AUG03		PRODUCT SPEC	PLUG KIT, UNASSEMBLED, SIZE 3, 25 POSITION, AMPLIMITE HDP-20		
TOLERANCES UNLESS OTHERWISE SPECIFIED:		APPD	M. WAMSLEY	1AUG03	NAME	SIZE	CAGE CODE	DRAWING NO	RESTRICTED TO
0. PLC	± -	APPLICATION SPEC		108-40005	114-40030	A1	00779	749808-7	-
1. PLC	± -	MATERIAL		2, 3, 4, 5	FINISH	7, 8	CUSTOMER DRAWING		SCALE 2:1
2. PLC	± 0.13[.005]	WEIGHT		-		SHEET 1 OF 1		REV A	
3. PLC	± -	CUSTOMER DRAWING		SCALE 2:1		SHEET 1 OF 1		REV A	
4. PLC	± -	SCALE		2:1		SHEET		1 OF 1	REV A
ANGLES	± -	SCALE		2:1		SHEET		1 OF 1	REV A

单击下面可查看定价，库存，交付和生命周期等信息

[>>TE Connectivity\(泰科\)](#)