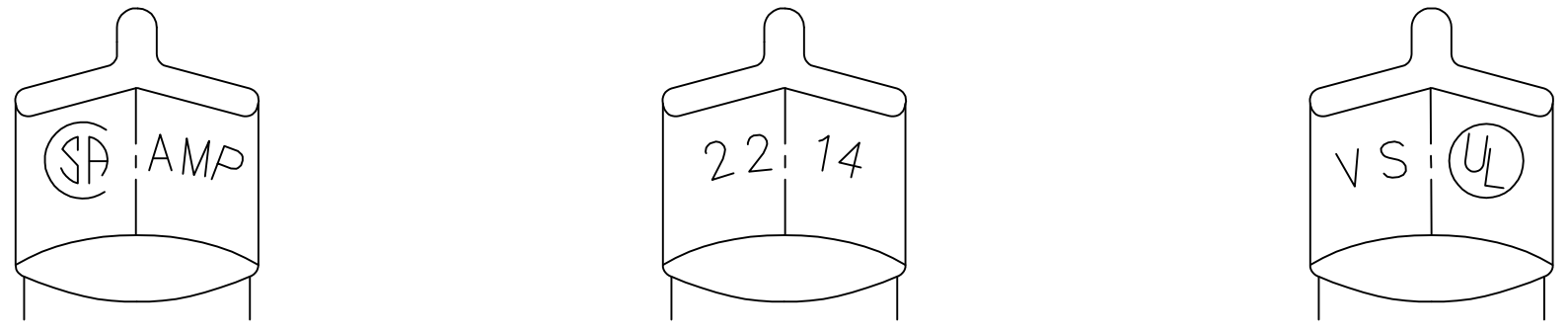


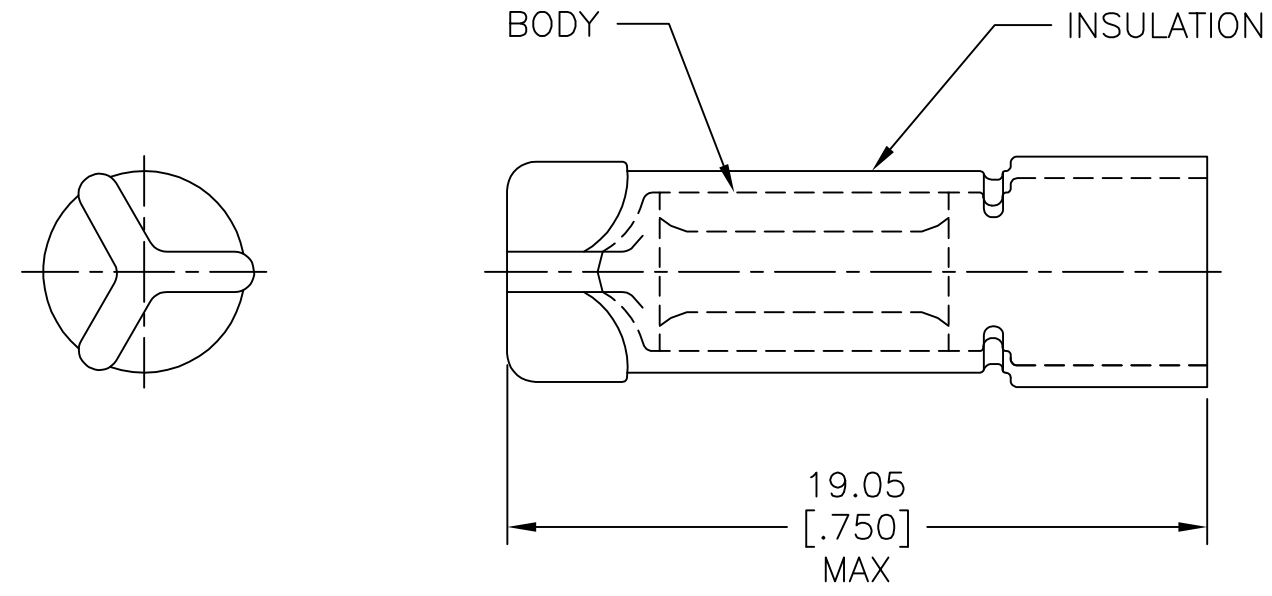
| REVISIONS | | | | | |
|-----------|-----|---------------------------|-----------|-----|------|
| P | LTR | DESCRIPTION | DATE | DWN | APVD |
| | J | REV PER 0G3A-0256-04 | 13APR04 | JR | TM |
| | J1 | REVISED PER ECO-17-006294 | 13OCT2017 | RS | DR |



DETAIL OF STAMPING

- 1 FOR $\phi 3.96$ [$\phi .156$] MAX WIRE INSULATION.
- 2 MATERIAL: BODY; COPPER PER ASTM B152 INSULATION; PVC COLOR; RED
- 3 FINISH: BODY; TIN PLATE PER ASTM B-545

| | | |
|-----------------------------|-----------------------------|-----------------------------|
| AMP WIRE RANGE | UL Listed | SR LR7189 Certified |
| 22-14 AWG SOLID OR STRANDED | 22-14 AWG SOLID OR STRANDED | 22-14 AWG SOLID OR STRANDED |



| | | |
|------|-------------|---------|
| 1000 | LOOSE PC | 34304 |
| QTY | DESCRIPTION | PART NO |

| | | | | | | | | | | | | |
|--|--|---|--|---|----------------------|-----------------|-------|-----------|------------|---|-----|----|
| AMP INCORPORATED CUSTOMER SERVICE SYSTEMS | | MAX RECOMMENDED OPERATING TEMPERATURE: 90°C [194°F] MAX | THIS DRAWING IS A CONTROLLED DOCUMENT. | | DWN G KRUPER 1/93 | TE Connectivity | | | | | | |
| FOR ADDITIONAL PRODUCT INFORMATION OR COPIES OF DRAWINGS AND TECHNICAL DOCUMENTS | PRODUCT INFORMATION CENTER 1-800-522-6752 | VOLTAGE RATING: 300V MAX | DIMENSIONS: mm [INCHES] | TOLERANCES UNLESS OTHERWISE SPECIFIED: | CHK R HERSEY 1/93 | | | | | NAME SPLICE, WIRE, CLOSED END 22-14 AWG | | |
| FOR APPLICATION TOOLING INFORMATION | TOOLING ASSISTANCE CENTER 1-800-722-1111 | CIRCULAR MIL AREA: 0.26-2.62mm² [509-5180] SOLID OR STRANDED | | 0 PLC ± - 1 PLC ± - 2 PLC ± 0.20 [.008] 3 PLC ± - 4 PLC ± - ANGLES ± - | APVD M ELLIS 1/93 | PRODUCT SPEC | SIZE | CAGE CODE | DRAWING NO | RESTRICTED TO | | |
| FOR ORDER ENTRY | 1-800-526-5142 | THIS DRAWING IS A CONTROLLED DOCUMENT FOR AMP INCORPORATED. IT IS SUBJECT TO CHANGE AND THE CONTROLLING ENGINEERING ORGANIZATION SHOULD BE CONTACTED FOR THE LATEST REVISION. | MATERIAL | FINISH | WEIGHT | - | A3 | 00779 | C-34304 | - | | |
| | | | | | CUSTOMER DRAWING | | SCALE | 5:1 | SHEET | 1 OF 1 | REV | J1 |

单击下面可查看定价，库存，交付和生命周期等信息

[>>TE Connectivity\(泰科\)](#)